

## MEK-4 MICROPHONE EXTENSION KIT

The MEK-4 is designed to remote the front panel microphone to the rear panel of compatible Standard Horizon Marine VHF's. If

The MEK-4 contains the following items

Quantity	Description	Replacement Part number
1	20FT of routing cable (with Hex nut & Gasket)	T9101567
1	Stainless Steel Mounting Plate	RA0946300
1	Rubber connector gasket	RA0946400
3	Stainless steel screws	U24312020

### INSTALLATION

1. Locate and remove the rear panel gasket covering the 6-pin connector and install it on the front panel microphone connector.

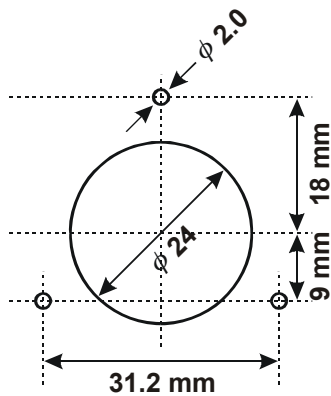


Figure 1

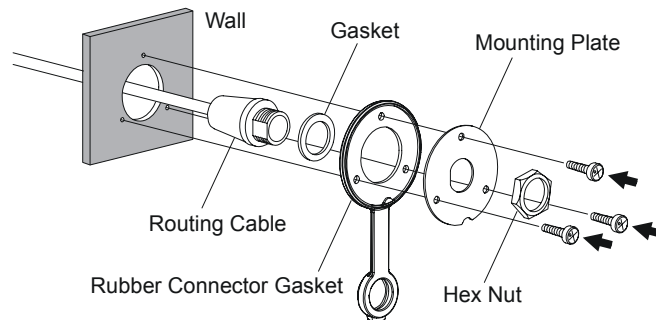


Figure 2

2. Use the template to mark the location, drill a 1" (24 mm) hole and three holes approx. 0.08" (2 mm) on the wall (Figure 1).
3. Install the Rubber Cap and Holder Plate to the wall using supplied three screws (Figure 2)
4. Connect the Extension Cable to the Holder Plate using the Nut (Figure 2).

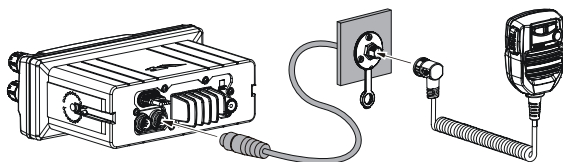


Figure 3

5. Connect the 20' Extension Cable to Remote Mic connector on the transceiver's rear panel. (Figure 3).
6. Plug in the front panel mic into the MEK-4. The installation is now complete.