

UNDER-BODY RGB LED KIT

Before you start, review directions completely. If your vehicle is not pre-wired for external lighting, you may need the following:

- Inline Fuse Holder (SPXATC16 or similar)
- 3 Amp Fuse
- 2 Strand Primary Wire
- Wire Connectors / Solder
- Wire Cover
- Zip-Ties

Optional:

- Switch
- Relay

WHAT'S INCLUDED

- 4 x CREE LED Pods
- 2 x Pod Extension Cables (48")
- 4 x Flat Rubber Mounting Pads
- 4 x Curved Rubber Mounting Pads
- 1 x Bluetooth RGB Control Module
- 8 x Mounting Screws

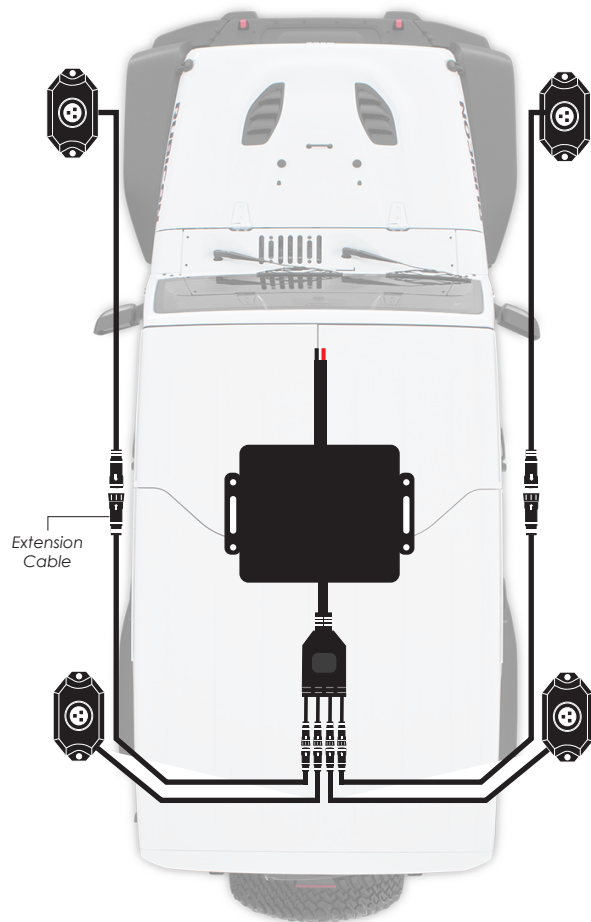
MOUNTING THE LED PODS

1. Determine a location for the RGB module making sure all 4 pod cables will reach the module. There are two 48 inch extensions that can be used if necessary.

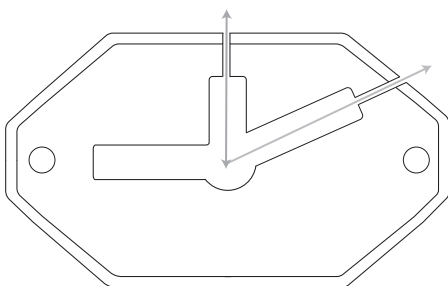
Avoid mounting the module in locations that get extremely hot or wet.

2. Mount the LED pods using the Flat or Curved Rubber Mounting pads. Lights should be mounted in a location where they will not come in contact with suspension, tires or road surface.

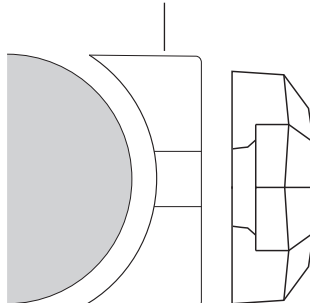
3. Route and connect the light cables to the RGB module making sure to avoid interference with suspension or any moving parts .



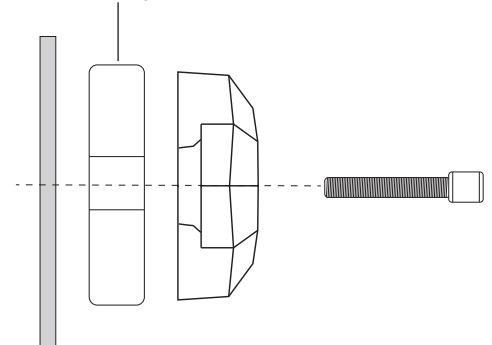
Back of mounting pad has 3 cable routing options



Curved Mounting Pad for installation on tubular frame



Flat Mounting Pad

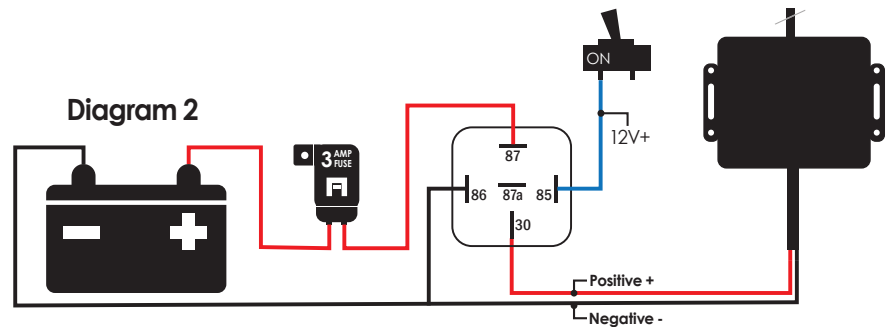
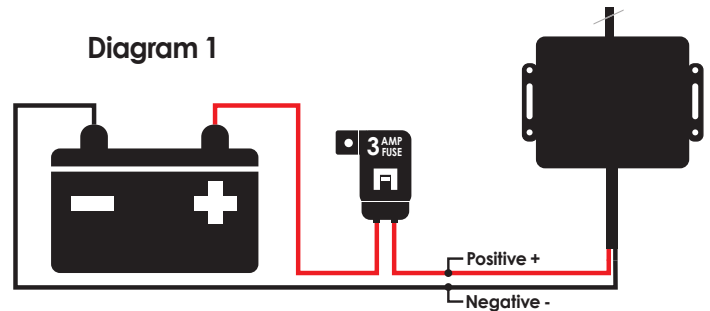


UNDER-BODY RGB LED KIT (CONT)

WIRING DIAGRAMS

Diagram 1: Wiring direct to power and using an App to turn on/off. Must add 3 AMP fuse on RED 12V+ wire.

Diagram 2: Wiring with a switch. You can add a new dedicated switch or use an existing light switch that outputs 12V+ when ON. You will need to add a 3 AMP fuse on the RED 12V+ wire and also requires a 12V relay. Note: When wired to a switch, the RGB controller will default to last mode/color used. No need to access the app.



GET THE APP

Scan the QR Code, or visit Google Play or iTunes to download the *Happy Lighting* app. Once the app is installed, power up the RGB Module and open the app. The module should auto-connect and be listed in the device list. And Dan says Let There Be Light.

