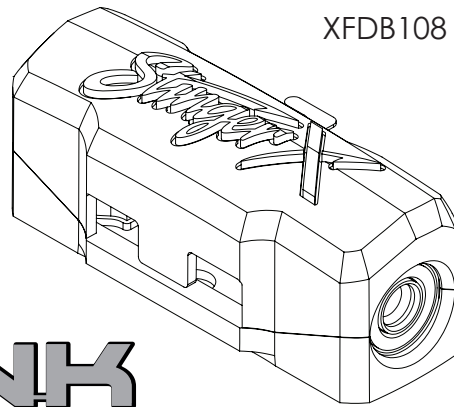
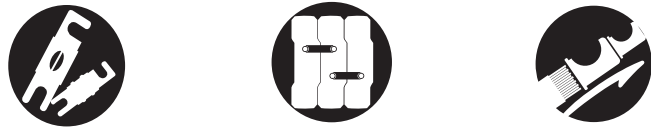


# INSTALLATION GUIDE



**UNIVERSAL 0-8GA POWER OR  
GROUND LINKABLE FUSED  
DISTRIBUTION BLOCK**



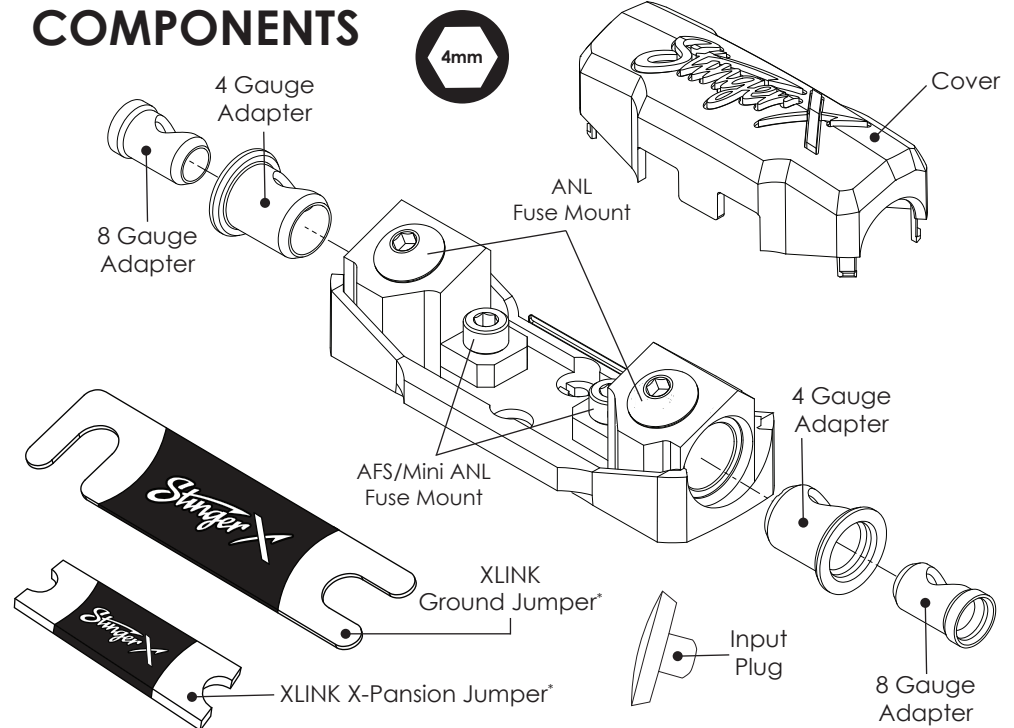
XFDB108



## WARNING!

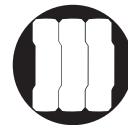
- NEVER use the XLINK Jumpers in place of a fuse
- Cover any unused input with an Input Plug
- XLINK systems should not exceed 500 AMP in total fusing

# COMPONENTS

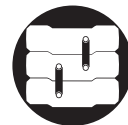


**WARNING!** NEVER use the XLINK jumpers in place of a fuse.

# QUICK TIPS



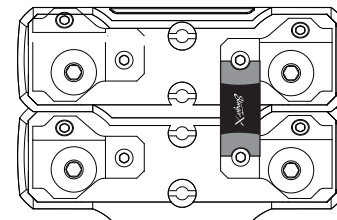
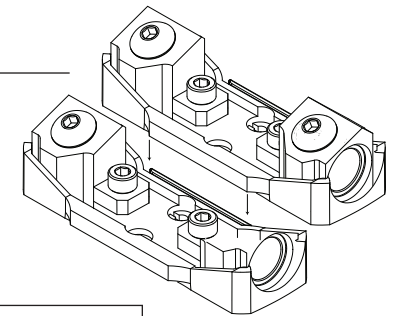
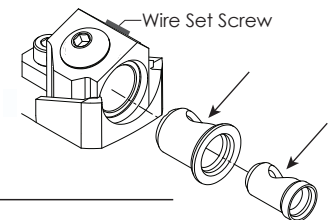
**XLINK Interlocking Base**  
To connect 2 or more XLINKS, align locking channel and press together.



**XLINK X-Pansion Jumper**  
Distribute power or ground across multiple XLINK blocks by connecting the X-Pansion jumper to input side of block. Connecting this way; if a single circuit blows a fuse, the XLINK block will continue providing to power to the other circuits.

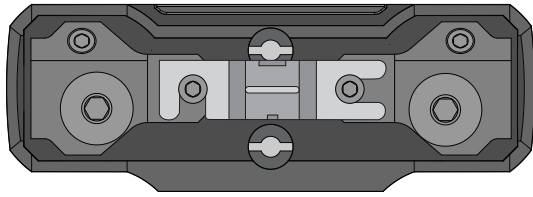


**XLINK Gauge Adapters**  
Convert to any combination of 0GA, 4GA or 8GA inputs and outputs. Make sure the adapter opening lines up with the wire set screw.



## SINGLE BLOCK

Single **ANL** Fuse Holder  
- 1/0GA, 4GA, 8GA Input/Output

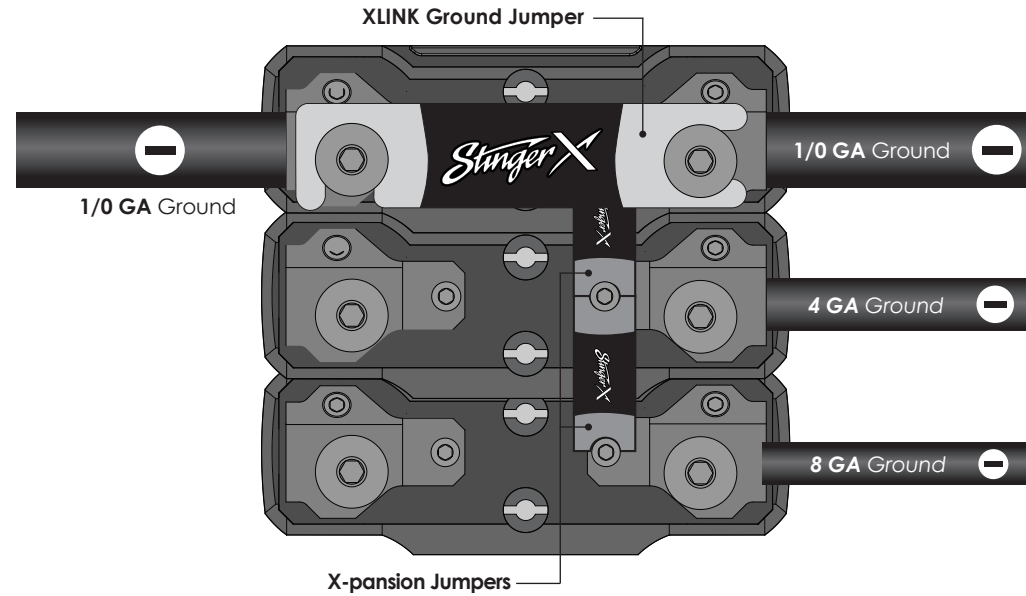


Single **AFS** Fuse Holder  
- 1/0GA, 4GA, 8GA Input/Output



**XLINK** Ground Jumper  
- 1/0GA, 4GA, 8GA Input/Output

## GROUND BLOCK



## POWER BLOCK

## COMBO BLOCK

