

T-H Marine - #1 Plastic Thru-Hull Supplier in the U.S.A.

Our molded Thru-Hull fittings are used by more OEM boat builders than any other brand.

All T-H Marine Thru-Hull Fittings are made of the highest quality virgin material to ensure consistent size, extra durability and attractive appearance. All materials are UV stabilized to provide longevity. T-H Marine has worked with major hose manufacturers to guarantee that our hose barbs have the exact specifications to fit hose securely so that your installations will be trouble free.

STANDARD 90 DEGREE THRU-HULLS - Our standard 90 degree fittings feature a unique finished head and a pass-around nut for easier and more attractive installation, an innovation that T-H Marine developed.

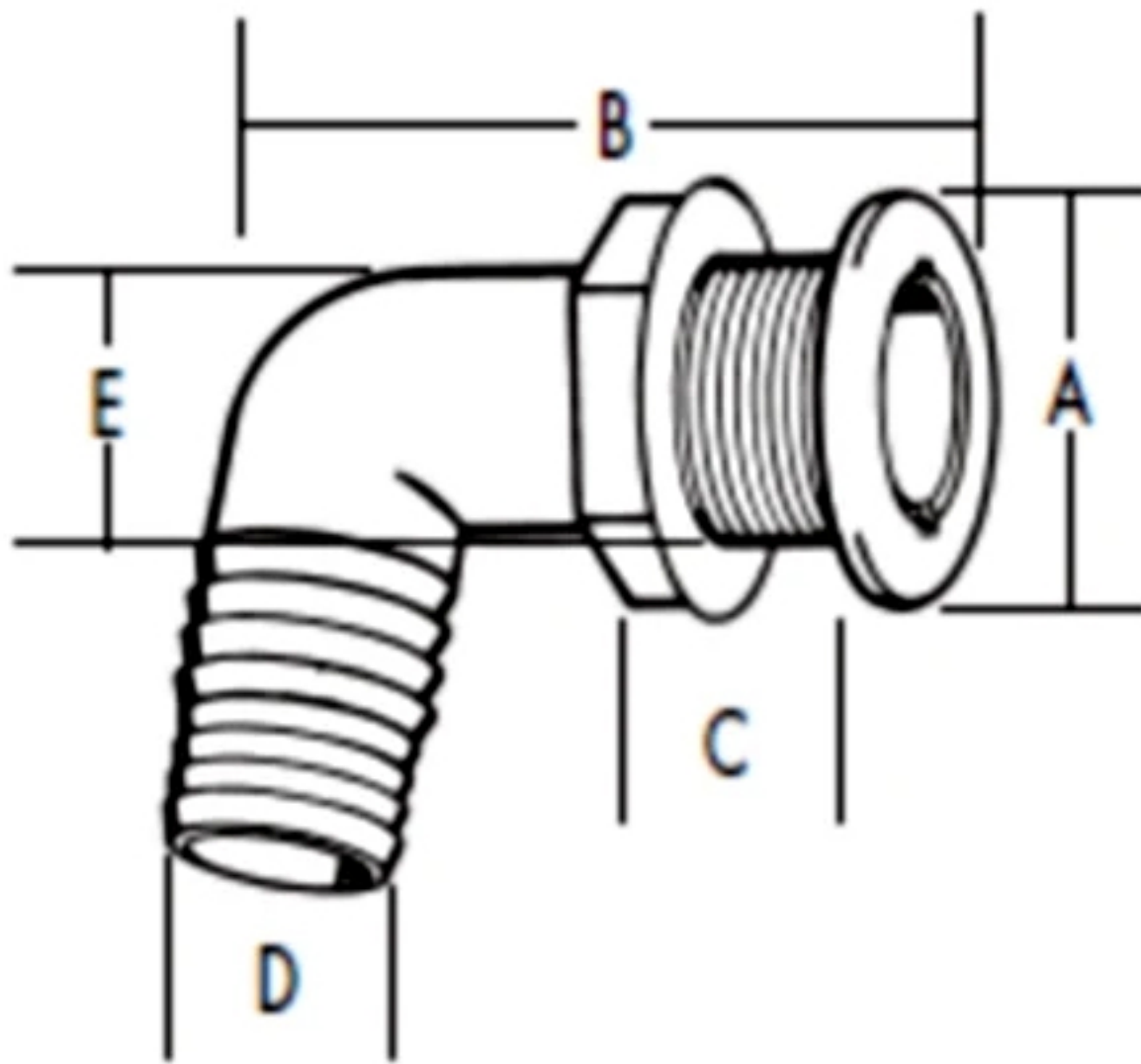
Unique 90 degree fittings:

DUAL NUT THRU-HULLS (TH-90 / TH-92) - Traditional two nut 90 degree fittings. Allows for variety of mounting thicknesses. May be used where installation must be done from the topside with a traditional nut.

SPANNER HEAD THRU-HULLS, 3/4" and 1 1/8" (TH-7590S, TH-1290S) - For those hard to reach applications that may or may not require low clearance. This spanner head thru-hull allows for installation and tightening from the top with a finished head nut.

LOW CLEARANCE, 1 1/2" THRU-HULL (TH-1502S2 / TH-1502S2N) - For those applications that require a 1 1/2" thru-hull with tighter clearance. This unique two-piece thru-hull makes the quickest turn of any 90 degree fitting available. This thru-hull can fit a wide range of thicknesses. Fitting can be ordered and used with or without a jam nut.

FLAT HEAD, OPEN THROAT, 3/4" THRU-HULL (APD-190F / APD-290F) - For areas where total drainage is needed without a sump, these 90° drain fittings have a flat head to provide full evacuation of water. Excellent for livewell drains, our PP-118 plug is the perfect companion piece.



Thru-Hull Dimensions Chart - 90 Degree (inches)

Black Part #	White Part #	Chrome Part #	A	B	C	D (hose)	E
TH-7590	TH-7592	TH-7590CP	1-1/2"	2-1/2"	1"	3/4"	1"
TH-90	TH-92	N/A	1-5/8"	2-5/8"	7/8"	3/4"	1"
TH-7590S	N/A	N/A	1-5/8"	2-5/8"	7/8"	3/4"	1"
APD-190F	APD-290F	N/A	1-7/8"	2-3/8"	3/4"	3/4"	1-3/8"