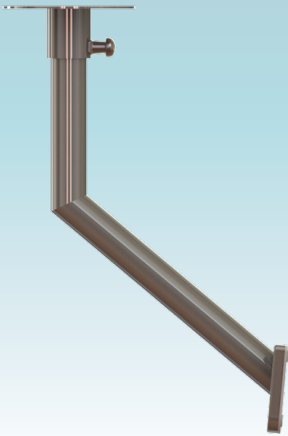


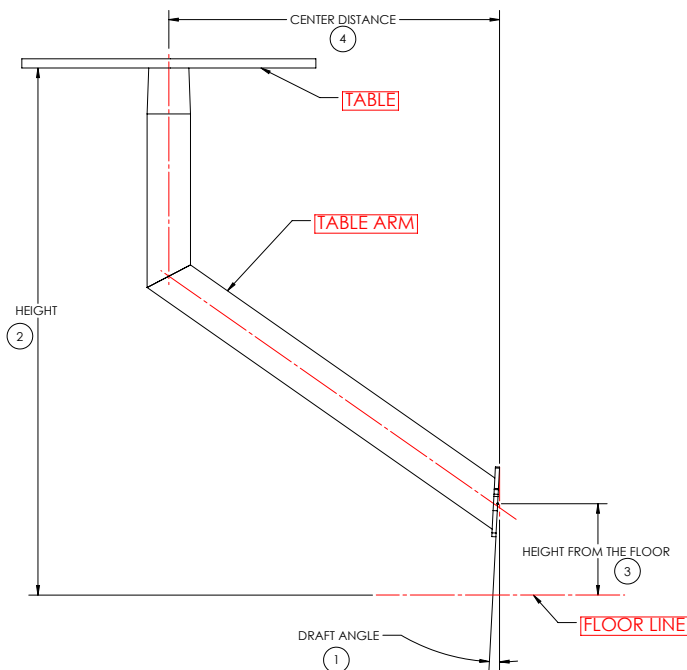
REMOVABLE SIDE MOUNT TABLE PEDESTAL SYSTEM



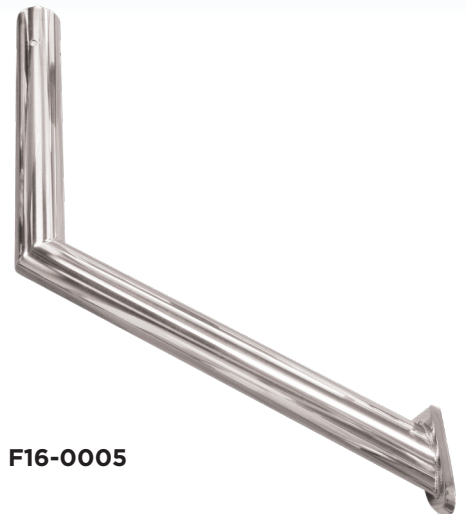
With the Removable Side Mount Table Pedestal System's classy stainless steel appearance, it's ideal for limited space in the interior and exterior of a boat. The 125-degree leg is easy to remove for storage and security, and allows one pedestal to fit all side mount applications with slightly varying angles, which eliminates the need for wedges. Utilizing a unique injection-molded glass-filled nylon adjustable head, the table surface can be tilted to various degrees to provide for a flat horizontal surface.

FEATURES & BENEFITS

- Easy to remove for clear passage and storage
- Locking pin offers added mounting strength
- Polished Stainless Steel mount bracket
- Removable 125° bent leg



1. DRAFT ANGLE
2. HEIGHT FROM THE BOTTOM OF THE TABLE TO THE FLOOR.
3. HEIGHT FROM THE FLOOR TO THE MOUNT CENTER.
4. DISTANCE FROM THE CENTER OF THE TABLE TO THE WALL MOUNT.



F16-0005



F16-0006



F16-0080



F40-0018

PART #	DESCRIPTION	UPC	UOM	STD. PK.
F16-0005A	Stainless Steel Type 304 Side Mount Table Pedestal System	630838082215	Each	5
F16-0006L	Stainless Steel Type 304 Table Support w/Locking Pin	630838082222	Each	12
F16-0080	Stainless Steel Type 316 Mounting Bracket	630838084073	Each	12
F40-0018WHC-A	Delrin Backing Plate	630838082291	Each	12