



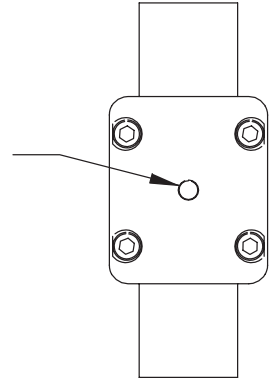
# **Clamp-On Center Rigger**

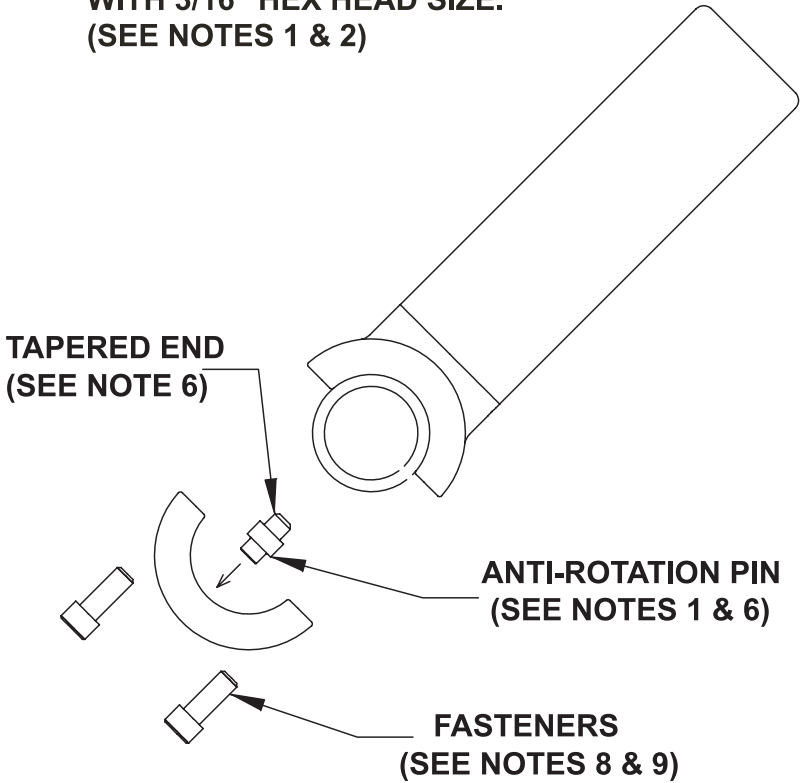
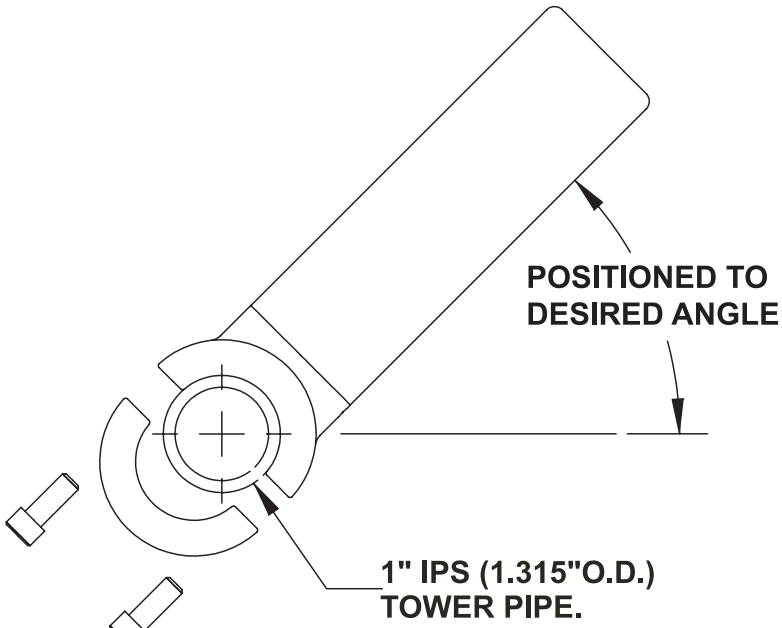
## **Installation Instructions**



1. Unbolt the assembled mount and remove the anti-rotation pin from the lower cap.
2. Loosely bolt the mount to the 1" IPS (1.315) tower pipe and with your center rigger installed, set the desired trolling angle before lightly tightening to clamp.
3. Remove the center rigger from the support tube.
4. With a 1/4" metal drill bit, apply grease to the drill bit and then carefully and squarely drill a hole through only one wall of the tower piping using the lower cap hole to guide. Alternatively, center punch a mark, remove the cap and upper tube and drill the hole without the mount in place.
5. Disassemble, de-burr and wipe off any excess grease and metal chips from the area and parts.
6. Install the anti-rotation pin into the lower cap half, as shown with the tapered end toward the tower pipe side. Then apply a small amount of grease to the tapered end.
7. Then Install this lower cap half by inserting the pin into the drilled hole and install the upper support tube down onto the other side of the pipe, with the drain hole facing down to the deck.
8. Install all four fasteners with a light oil or grease on the threads and proceed to evenly hand tighten the fasteners. Do not over tighten or the aluminum threads may strip. We recommend using a torque wrench set to 4'/lbs (dry threads) or 3'/lbs (lubricated threads).
9. Re-check the tightness of the screws after 24 hours, as the clamps may settle in further onto the tower pipe.

**DRILL 1/4" (.250)  
(SEE NOTE 4)**





## TACO MARINE TELE-OUTRIGGERS

This patented design outrigger fits perfectly with TACO Marine's Grand Slam Mounts. Available in black and silver poles with gold or silver rings and tips, these poles telescope to less than 6' for bridge clearance, trailering or storage. Center Rigging Kits also available which include Center Rigger, Tele-Outrigger and Single Rigging Kit .



Patent #5,921,196

**TACO**<sup>®</sup>  
MARINE

[View other trolling gear made by TACO on our website.](#)