



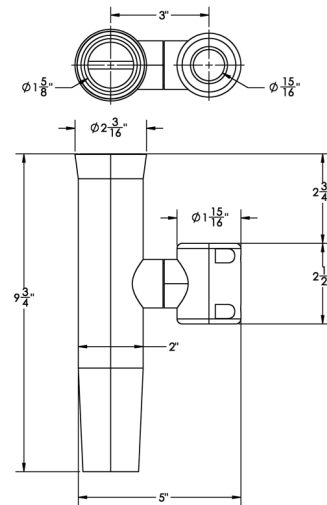
STAINLESS STEEL CLAMP-ON ADJUSTABLE ROD HOLDERS



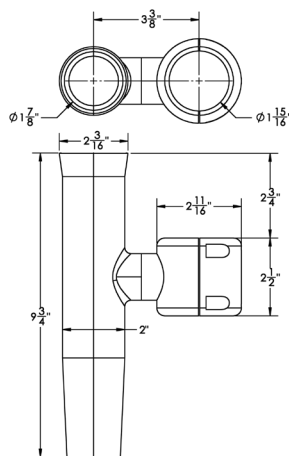
Turn your boat into a strategic fishing machine and no longer worry about fabricating rod holders onto your T-top. The TACO Marine Type-316L Stainless Steel Clamp-On Adjustable Rod Holder allows you to place your combo at any location on your T-top or anywhere there is tubing on your boat.

FEATURES & BENEFITS

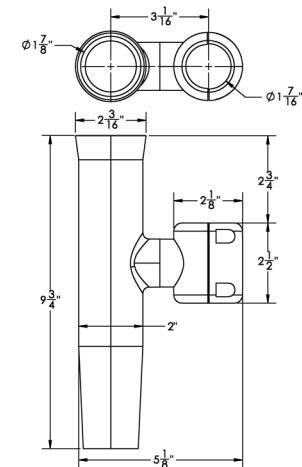
- For use on vertical and horizontal pipe/tube
- Manufactured from Type-316L stainless steel
- Adjustable clamp with two inserts fits two pipe/tube sizes
- Rotates and lock every 18 degrees
- Flared opening
- I-beam weld pin base
- One-rod holder fits most standard T-Top outer rings
- Easy, clamp-on installation in just minutes
- Includes form-fitted PVC white liner and two white clamp inserts
- Patent number US7309054



F16-2600



F16-2630



F16-2623

| PART # | DESCRIPTION | CLAMP FITS OD | LOCATION | RH ID | FINISH | STD. PK. | UOM | UPC |
|---------------|--|---|--------------------------------------|--------|----------|----------|-----|--------------|
| F16-2600POL-1 | Stainless-Steel Clamp-On Adjustable Rod Holder | 7/8" & 1" OD (Tube) | Bow Rail, Grab Rail | 1-5/8" | Polished | 6 | EA | 630838022136 |
| F16-2623POL-1 | Stainless-Steel Clamp-On Adjustable Rod Holder | 1-1/6" & 1-5/16" OD (Tube) Pipe, 1-1/4" OD (Tube) | T-Top, Leaning Post, Poling Platform | 1-5/8" | Polished | 6 | EA | 630838028534 |
| F16-2630POL-1 | Stainless-Steel Clamp-On Adjustable Rod Holder | 1-11/16" & 1-5/16" OD (Tube) Pipe | T-Top, Leaning Post, Poling Platform | 1-5/8" | Polished | 6 | EA | 630838022006 |

Discover other rod holders and storage on our website.