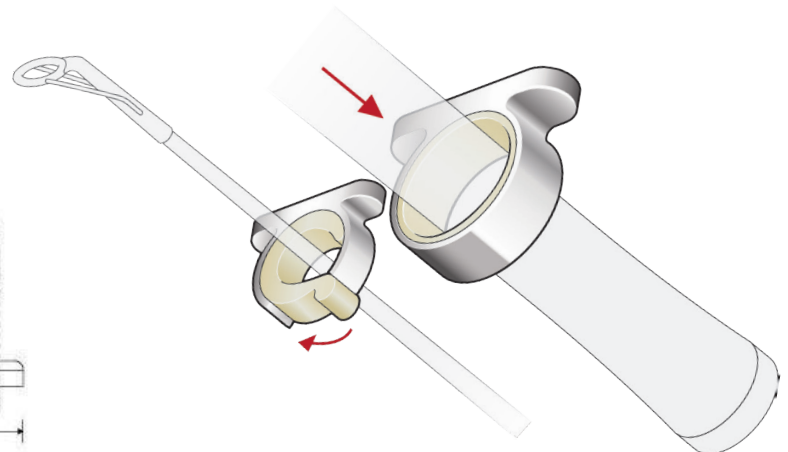
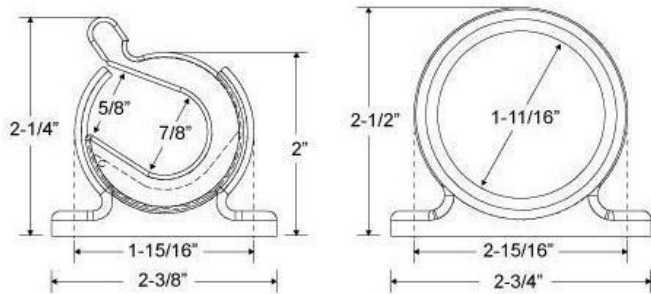


Installation Instructions

Thank you for purchasing the Revolving Tip Rod holder & Stationary Rod Hanger Kit by TACO Marine. Since 1959, we have taken great pride in offering the highest-quality products with excellent customer service. We stand behind our products 100 percent.

1. Lay rods in holder on deck for proper mounting positioning.
2. Fasten mounting piece to surface using #10 Stainless Steel self-tapping screws (not included).
3. Place Rod Hanger onto mounting piece and screw in set screw until tight.
4. Slide butt end of rod holder into the closed ring then insert tip in the snap lock ring.



⚠ WARNING:

This product can expose you to chemicals including Di (2-ethylhexyl) Phthalate (DEHP), which is known to the state of California to cause cancer, birth defects or other reproductive harm.