



## ROD & REEL HANGER RACKS

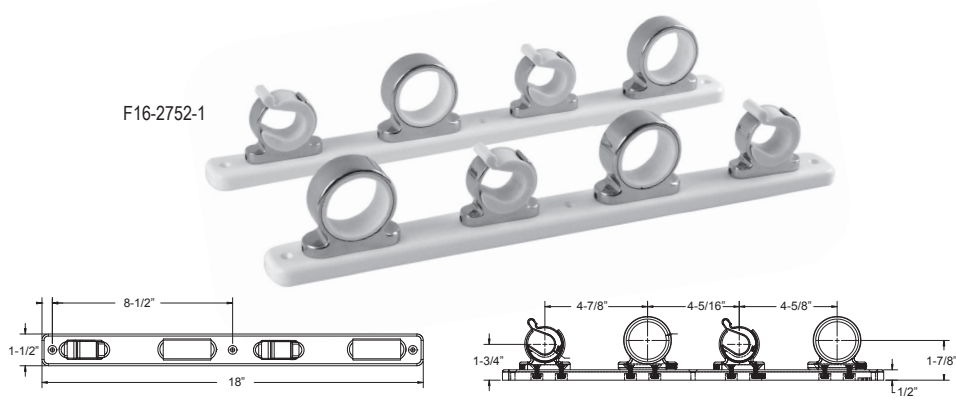
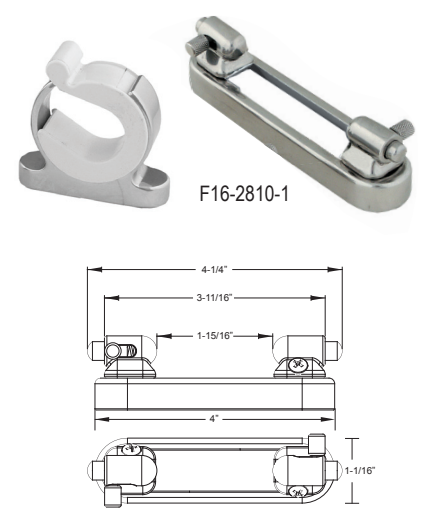
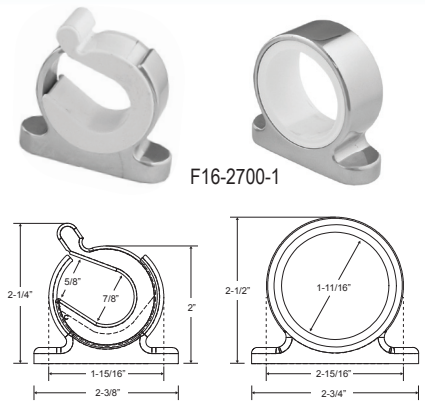


Organize and secure Rod and Reel combos with Taco Marine's new rod hanger rack. Taco Marine now offers their best selling rod hangers, featuring polished Stainless Steel Type 316 finish and snap lock rod tip holder, as convenient easy-mount racks. Each rack features pre-drilled recessed mounting holes and smooth beveled edges for a finished look.

Taco Marine offers three sizes, for convenient 2, 3 and 4-rod storage. With versatile mounting options, these great hanger racks can be mounted vertically or horizontally. Great for use on bridge overheads, under gunnels or in rod lockers.

### FEATURES & BENEFITS

- High Polished Marine Grade Stainless Steel Type 316
- Durable, UV-stabilized White Polymer racks
- Patent-pending rod tip holder with spring lock design
- Rod hangers feature concealed fasteners
- Pre-drilled with recessed mounting holes
- Mount vertically, horizontally or overhead
- Available for 2, 3 and 4 rod hanger sets
- Designed to look great and perform for years to come
- Patent-pending revolving rod tip holder secures rods
- Weather-resistant, flush mount racks install easily



Part #	Description	Length	UPC	U of M	Std. Pk.
F16-2700-1	Revolving Rod Tip Holder & Stationary Rod Hanger Kit	2-3/8" & 2-3/4"	630838021139	Each	12
F16-2751-1	2-Rod Hanger w/Poly Rack	9-18"	630838030087	Pair	12
F16-2752-1	4-Rod Hanger w/Poly Rack	18"	630838030094	Pair	12
F16-2753-1	3-Rod Hanger w/Poly Rack	13-1/2"	630838032036	Pair	12
F16-2810	Reel Hanger, Adjusts: 1-7/8" - 3-7/8"	4"	630838027582	Each	50
F16-2810-1	Reel Hanger w/Rod Tip Holder Kit, Adjusts: 1-7/8" - 3-7/8"	N/A	630838023270	Each	12
F19-0006-1	Revolving Rod Tip Holder	2-1/4"	630838023317	Each	50
F19-0006-2	Stationary Rod Hanger	2-3/4"	630838023324	Each	50