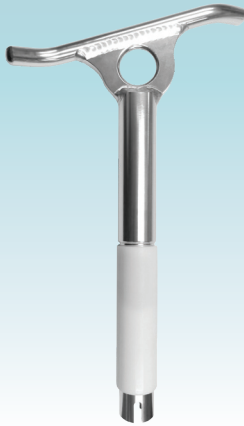




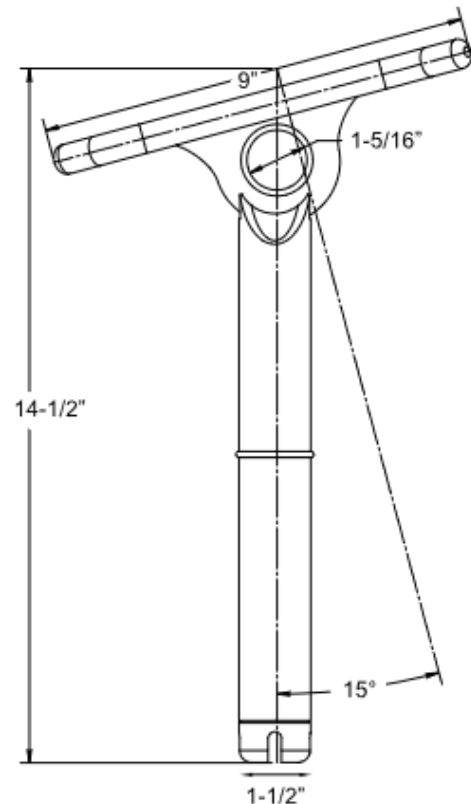
MULTI-PURPOSE 15° PORTABLE CLEAT



We've combined a cleat and a fender holder into one glorious accessory with our Multi-Purpose Portable Deck Cleat! Securely tie off lines and set fenders all in one place. Because it fits standard rod holders, this cleat is movable, stowable and a practical step forward in your boating and docking experience.

FEATURES & BENEFITS

- Manufactured from stainless steel Type-304
- The 1-1/2-inch diameter tube fits standard rod holders 1-5/8-inch in diameter
- Adjustable height ring to compensate for low or high tide
- Two-piece design for easy storage
- Clamp-on ring (also sold separately as F16-0804-1) can be adapted to 1-1/4- or 1-1/2-inch tube diameter by removing Delrin Washer
- Packaged in mesh bag for easy drying if stored wet and to avoid from scratching deck or storage surfaces on the boat



WARNING:

This product can expose you to chemicals including Di (2-ethylhexyl) Phthalate (DEHP), which is known to the state of California to cause cancer, birth defects or other reproductive harm.

PART #	DESCRIPTION	WEIGHT	FINISH	UNIT	PACK	UPC
F30-0861BSA-1	Multi-Purpose 15° Portable Cleat	1.5 lbs.	Brushed Aluminum	Each	4	630838084820