

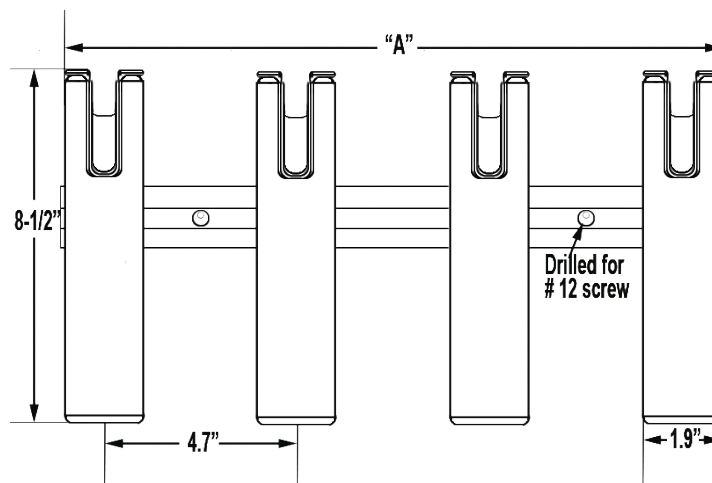
ALUMINUM ROD RACK



Taco Marine's Aluminum Rod Rack offers stylish rod storage in a brushed Aluminum finish. Ideal for storing light tackle spinning rod/reel combos.

FEATURES AND BENEFITS

- Available in brushed finish
- Offered with 3- or 4- rod holders
- Hidden fasteners
- Slotted to lock-in rods/reels
- Form-fitted PVC Black liner
- Designed for light tackle spinning rod/reel combos



Bulk #	Retail #	Description	UPC	"A"	Rod Holder I.D.	Unit of Measure	Std. Pk.
F31-3003BSA	F31-3003BSA-1	Brushed Alum, 3-Rod Holder & Rack	630838030148	11-1/4"	1-1/2"	Each	4
F31-3004BSA	F31-3004BSA-1	Brushed Alum, 4-Rod Holder & Rack	630838030155	16"	1-1/2"	Each	4