

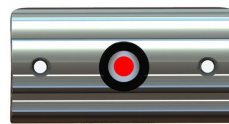
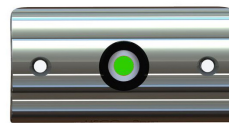


RUB RAIL MOUNTED LED NAVIGATION LIGHTS

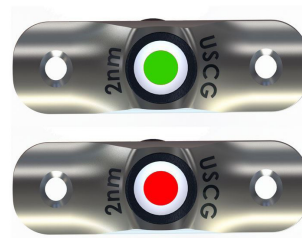
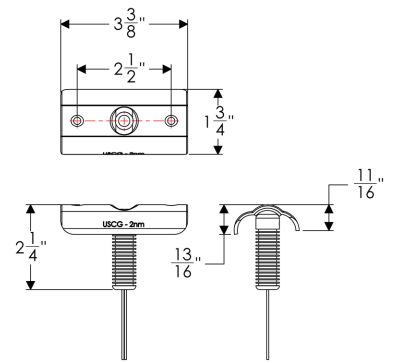
With constant innovation in mind, we've developed a line of Rub Rail-mounted LED navigation lights - sleek, low-profile lights designed to allow for cleaner, open decks with non-obstructed view points. Very popular with bay boats, these easy-to-install lights meet ABYC and USCG requirements for both sail and powerboat designation, have a water-resistant IP68 rating and provide hours of maintenance-free, reliable use.

FEATURES & BENEFITS

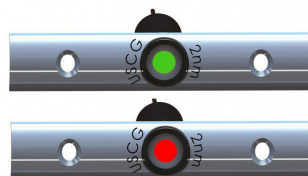
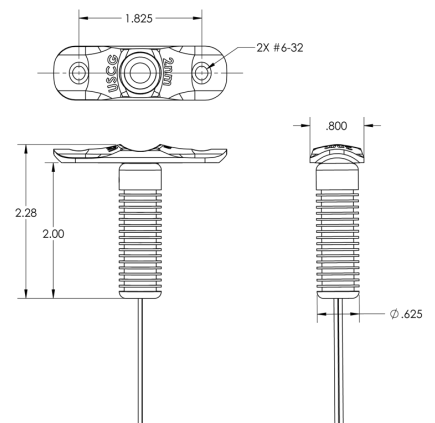
- Ideal for up to 30' boats
- Sold in pairs with one 3-watt port (red) light and one 2-watt starboard (green) light
- Brightness compares to 10-watt incandescent light
- Enables more deck space and easy to install
- Meets ABYC/USCG requirements for both sail and powerboat designation
- Low-voltage 12-14VDC
- Anodized aluminum heat sink for maximum heat dissipation
- LED lights are mounted in a heavy-gauge polished stainless-steel joiner cover
- Water-resistant IP68 rating
- Takes a 1" #8 stainless-steel fastener (not included)
- F38-6602-1 & F38-6602-2 have patent # USD760427



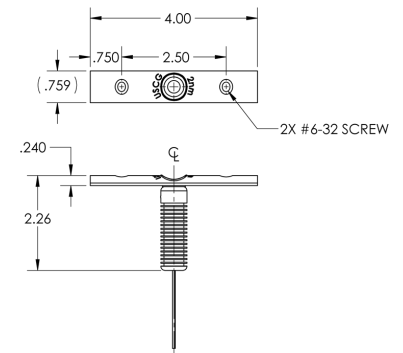
RUB RAIL MOUNTED LED NAVIGATION LIGHT SET 4-1/2"
F38-6602-1



RUB RAIL MOUNTED LED NAVIGATION LIGHT SET 2-1/2"
F38-6800D



RUB RAIL MOUNTED LED NAVIGATION LIGHT SET 4"
F38-6810B-1





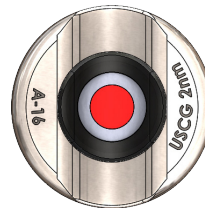
SURFACE MOUNT LED NAVIGATION LIGHTS

The newest addition to our LED selection is our Surface Mount LED Navigation Lights - low-profile lights mounted in a heavy-gauge stainless-steel cover designed to fit on flat surfaces and ideal for up to 40' boats.

FEATURES & BENEFITS

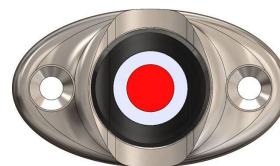
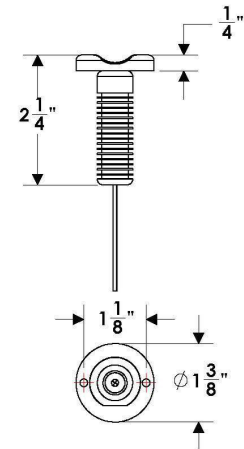
- Ideal for boats up to 40' long
- Provides reliable, long-lasting LED lighting for thousands of hours of maintenance-free use
- 3-watt red and green LED with a low draw of only .6 amps that compares to 10-watt incandescent light
- Easy installation with marine adhesive sealants
- Designed to fit small transom areas
- Meets ABYC-USCG requirements for both sail and power boat designation 2nm
- Low-voltage 12 to 24VDC
- Anodized cylindrical aluminum heat sink for maximum heat dissipation
- LED light is mounted in a heavy-gauge, polished stainless-steel cover for a clean and unobtrusive look
- Water-resistant IP68 rating
- Special order item

* Consult with our TACO customer service team for help determining the installation position.



SURFACE MOUNT LED SIDE NAVIGATION LIGHT SET 1-3/8"
F38-6610G*

*Installs back mounted with concealed fasteners



SURFACE MOUNT LED SIDE NAVIGATION LIGHT SET 1-3/4"
F38-6610D

