

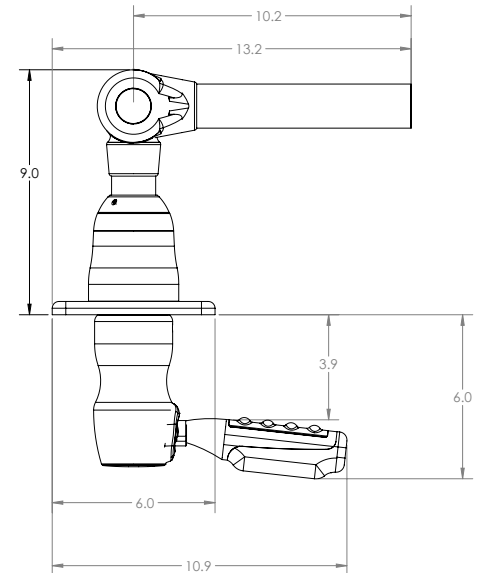
## GRAND SLAM 280 OUTRIGGER MOUNT



The GS-280 is the 4<sup>th</sup> generation of the top mount that sets the standard in the industry. Its rugged design will provide years of reliable service even in the most challenging saltwater applications. The redesigned locking head provides secure outrigger height positioning using Taco Marine's patented spline lock technology which provides a positive lock with minimal parts for increased reliability. The rotator lever has been further enhanced to provide a sleek and ergonomic shape, using polished Stainless Steel and UV-resistant non-slip Santoprene™.

### FEATURES & BENEFITS

- For use on 20' to 36' fishing boats
- Fits both hardtop and soft top applications
- Designed to fit the industry standard Taco Marine Outrigger-Ready mounting Plate
- Rugged Stainless Steel and anodized Aluminum construction
- 12 locking fishing positions
- Uses Taco Marine's spline lock technology for secure outrigger elevation
- Ergonomic shaped rotator lever
- Polished Stainless Steel Type 316 arm assembly and lever
- Brushed anodized Aluminum body
- Top-mounted
- 4" x 6" mounting base
- Compatible with Taco Marine's 1-1/2" heavy-duty Telescoping Tele-Outriggers
- Fits Taco Marine's Clamp-On Mounting Plates
- Sold in pairs
- Also available as a kit that includes 15', 1-1/2" diameter Tele-Outrigger with Line Caddy and Standard or Premium Rigging Kit



Part #	Description	UPC	Unit of Measure	Std. Pk.
GS-280	Grand Slam 280	630838082703	Pair	2
GS-2841BKA-1	Grand Slam 280 Kit, Black w/Gold Rings	630838082734	Kit	2
GS-2841VEL-1	Grand Slam 280 Kit, Silver w/Gold Rings	630838082741	Kit	2
GS-2842VEL-1	Grand Slam 280 Kit, Silver w/Silver Rings	630838082758	Kit	2
GS-2801	Grand Slam 2801 Offset	630838082987	Pair	2