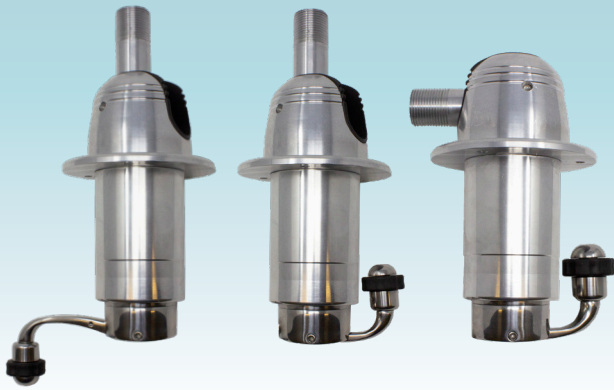


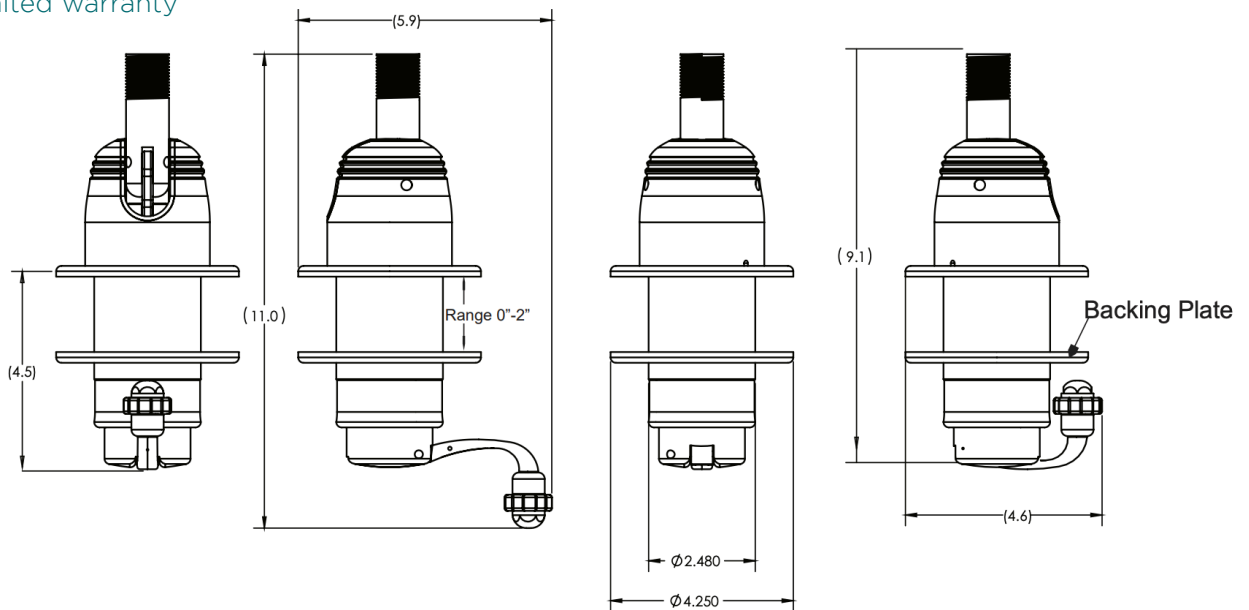
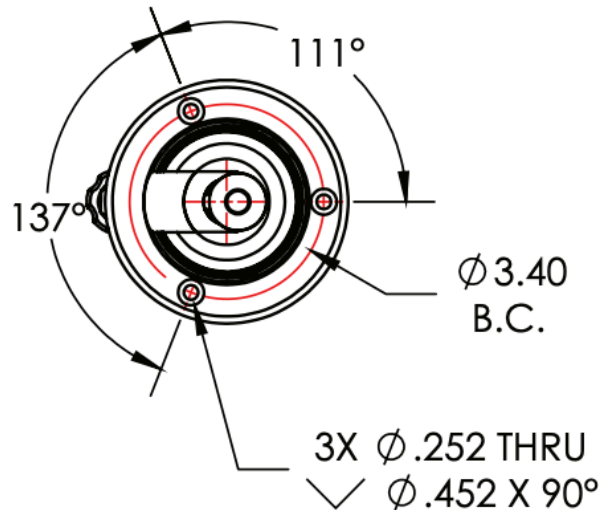
GRAND SLAM 800 VHF ANTENNA MOUNT



Introducing the GS-800 VHF Antenna Mount - designed for mounting a VHF Antenna onto a boat's T-top or hardtop. The GS-800's smooth operating crank handle provides a safe alternative to adjusting the angle of your VHF Antenna from the deck, without having to climb onto gunnels. Its rugged, durable design provides years of trouble-free use and is the ultimate solution for boat 25' and beyond where safety is paramount.

FEATURES & BENEFITS

- Unique design allows for raising and lowering antenna from the helm under the t-top or hardtop
- Fits standard 1"x14 threaded antenna base
- Hand crank - no power required
- Mirror polished stainless steel Type-316L crank handle
- Folding crank handle stores securely into the body of the mount
- Anodized aluminum, light-brushed finish
- Delrin[®] roller bearings provide for smooth operation
- Mounts up to 2" hardtop and includes 4-1/4"x1/4" round backing plate (hardware not included)
- Salt spray tested to 500 hour ASTM B117 standards
- 1-year limited warranty



PART NUMBER	DESCRIPTION	WEIGHT	UoM	CoO	Std. Pk.	UPC
GS-800	Grand Slam VHF Antenna Mount	3.19lbs	Each	USA	4	630960089564