

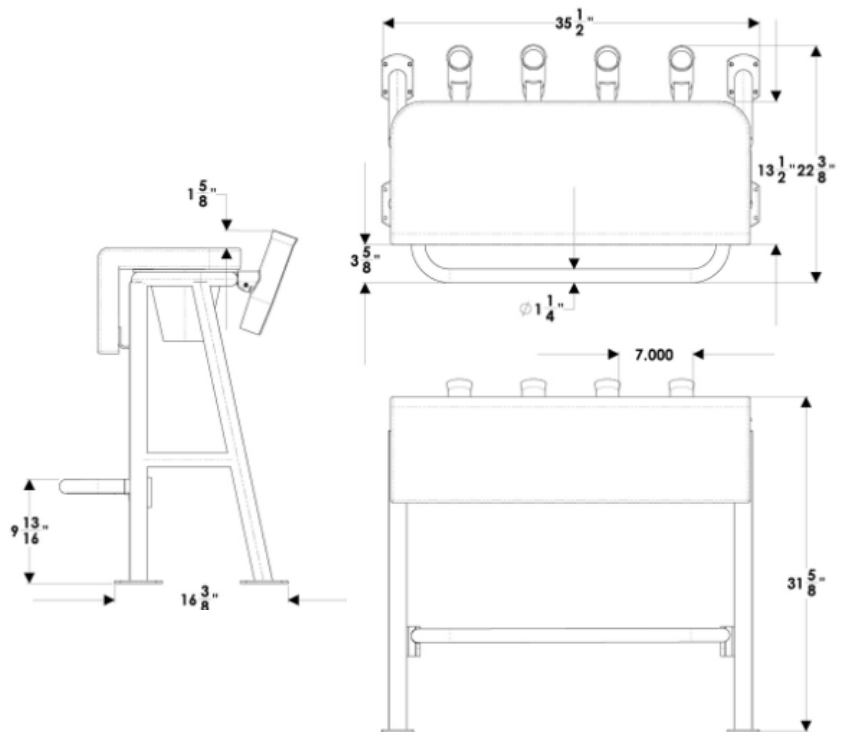
NEPTUNE III LEANING POST



Designed with the fishing enthusiast in mind, the four rod holders on the Neptune III Leaning Post are the perfect helm support for carrying multiple rods in center console boats 25' and under. Its practical, smooth upholstery design features an anodized aluminum frame, a folding footrest and a large under-seat storage space for coolers or tackle boxes.

FEATURES & BENEFITS

- Ideal for boats under 25-feet long
- Features a folding footrest, cooler strap and four poly tulip rod holders
- Rod holders sit at a 15° angle
- Mildew, fungus and UV-resistant marine-grade vinyl fabric
- One-piece welded aluminum frame construction
- Storage space for a 72-quart cooler, which secures in place using a strap (included)
- Available as a basic or fully loaded model
- 3-year limited warranty



WARNING:

This product can expose you to chemicals including Di (2-ethylhexyl) Phthalate (DEHP), which is known to the state of California to cause cancer, birth defects or other reproductive harm.

PART #	DESCRIPTION	HEIGHT	DEPTH	WIDTH	UPC
L10-2005BSA-1	Neptune III Leaning Post w/Smooth Upholstery & Plastic Rod Holders	23"*	32"	35-1/2"	630838082949
L10-2010BSA-1	Neptune III Leaning Post w/Backrest, Grab Rail & Aluminum Rod Holders	24-1/2"*	45"	39"	630838082840

*Depth measurement includes lowered footrest extension