

TACO[®] DELUXE ROD RACK

MARINE

P03-062, P03-063, P03-064

Installation Instructions

MOUNTING INSTRUCTIONS

- 1) Remove the four corner machine screws.
- 2) Holding the rack in the desired mounted position, mark the four corner holes on the mounting surface.
- 3) Drill four 3/16" holes in the mounting surface.
- 4) Replace the outside tubes, running the machine screws through the large holes in the front of the tubes.
- 5) Install nuts and tighten securely

Required*
***not included**

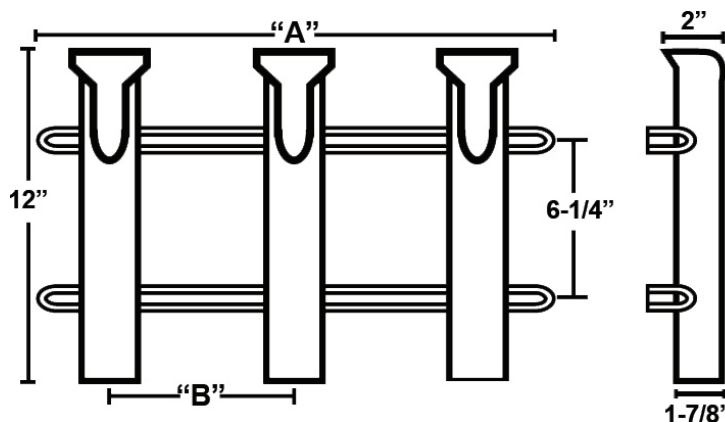
- PEN OR PENCIL
- ELECTRIC DRILL
- 3/16" DRILL BIT
- SAFETY GOGGLES

MOUNTING INTO "BLIND ACCESS" SURFACES

Should you not be able to reach the back of the mounting surface to secure the mounting nuts, replace the machine screws with high quality wood screws of sufficient length to penetrate the mounting surface at least 1/2". We strongly recommend #10 "truss head" screws.

IMPORTANT

After mounting your rack, insert your fishing rods in the holders and check where the thickest part of the rod handles are in relation to the screw heads. If any part of the rod handles contact screw heads, apply a good grade Marine Silicone Sealant to the screw heads and allow to cure before using. This will prevent any possible damage to your equipment.



Check out the collection of rod holders and storage we offer.