

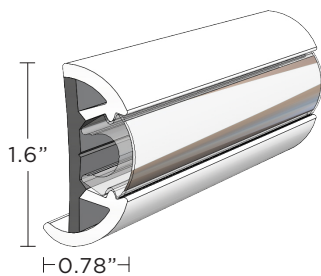
SUPROFLEX RUB RAIL

IDEAL
FOR BOATS
UP TO 65'

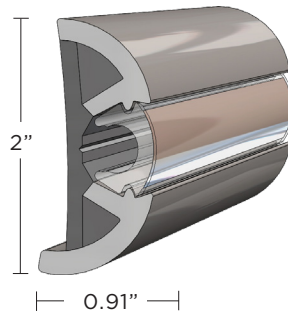


Introducing the future of hull protection with the new family of SuproFlex Rub Rail - lightweight, ultra-flexible profiles to save you time and money while providing a seamless precision fit. The innovative SuproFlex series is co-extruded vinyl that provides two levels of hardness - ensuring enhanced protection from impact. SuproFlex Rub Rail requires minimal heating - reducing installation time and manpower. Additionally, SuproFlex Rub Rail requires no pre-forming and easily molds to most hull shapes. This new rub rail is available in a variety of sizes, colors and pairs with TACO's patented Flex Chrome Insert, which can also be customized to any builder's color preference. SuproFlex Rub Rail is ideal for any boat up to 65'.

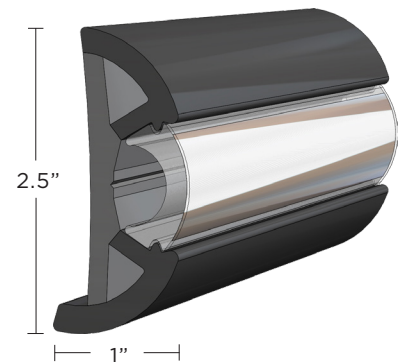
- Tight-radius bending can be made with minimal heating
- Easy handling making these rub rails a good choice for do-it-yourself boaters
- Accepts flex chrome insert V12-0307CP and V12-9980CP
- Kit includes SuproFlex Rub Rail, Flex Chrome Insert, stainless-steel end caps and stainless-steel mounting screws



V11-9960



V11-9990



V11-9970

SUPROFLEX KITS

PART NUMBER	DESCRIPTION	COLOR	LENGTH	INSERT	UPC
V11-9960BBK60-2	SuproFlex, small, 1.6" X .78"	Black	60'	V12-0307CP	6310040900003
V11-9960WCM60-2	SuproFlex, small, 1.6" X .78"	Frosty White	60'	V12-0307CP	6310050900019
V11-9990BBK60-2	SuproFlex, medium, 2" x 0.906"	Black	60'	V12-0307CP	6310110900072
V11-9990WCM60-2	SuproFlex, medium, 2" x 0.906"	Frosty White	60'	V12-0307CP	6310100900066
V11-9990BBK80-2	SuproFlex, medium, 2" x 0.906"	Black	80'	V12-0307CP	6310060900025
V11-9990WCM80-2	SuproFlex, medium, 2" x 0.906"	Frosty White	80'	V12-0307CP	6310070900031

SUPROFLEX V11-9970

PART NUMBER	DESCRIPTION	COLOR/FINISH	LENGTH	INSERT	UPC
V11-9970BKA100-1	SuproFlex, large, 2.5" x 1"	Black	100'	V12-9980CP*	6310080900047
V12-9980CP100-1	Flex Chrome Insert	Clear	100'	-	6310090900053
F16-0276	Stainless Steel End Cap (for V11-9970)	Polished	-	-	6310150900115