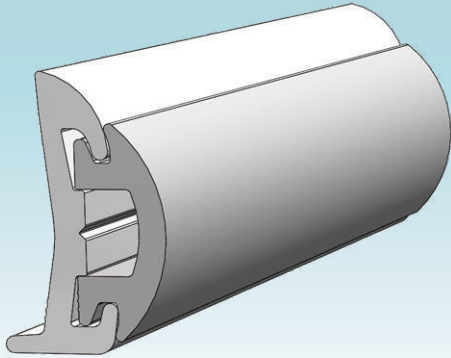




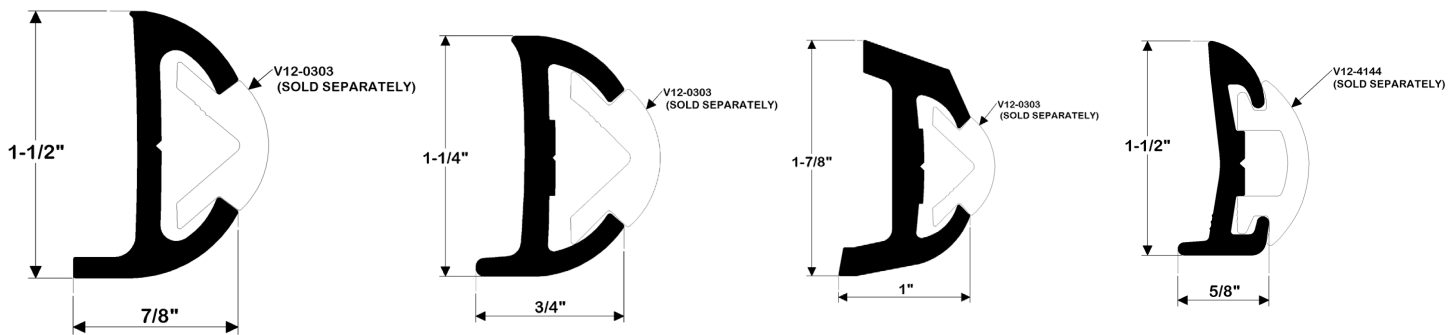
## RIGID VINYL RUB RAIL ACCEPTS FLEXIBLE INSERT



TACO Marine's Rigid Vinyl Rub Rail tightly forms to the boats' contours; matches gel coat finishes beautifully and has exceptional lasting qualities in the most adverse conditions.

### FEATURES & BENEFITS

- ▶ Color and gloss levels matched to gel coats blending rub rail with hull and deck
- Cuts and drills with standard woodworking tools
- Requires heat for radius forming
- Flexible vinyl insert (sold separately) covers fasteners and provides a soft, cushioning effect against normal bumps from pilings and docks
- Ideal for boats up to 30' long
- ▶ Drilled for #10 screw on 6" centers
  - ▶ V21-9517, V21-9501
- ▶ Drilled for #10 screw on 8" centers
  - ▶ V21-9602
- ▶ Drilled for #8 screw on 8" centers
  - ▶ V21-9678



V21-9501

V21-9517

V21-9602

V21-9678

PART #	LENGTH	COLOR	INSERT	END CAP
V21-9501WHC20-D	20'	Frosty White	V12-0303	F90-0002
V21-9517BKA20D	20'	Black	V12-0303	-
V21-9602WHA20D	20'	Arctic White	V12-0303	-
V21-9678BKA20D	20'	Black	V12-4144	-
V21-9678WHA20D	20'	Arctic White	V12-4144	-