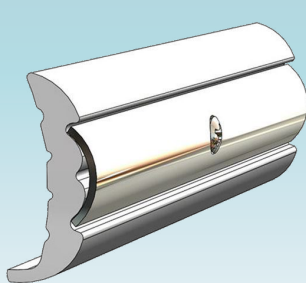
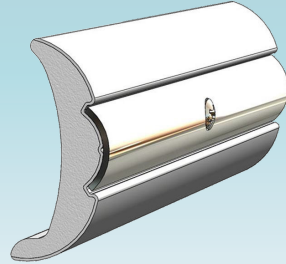




RIGID VINYL FLEX-CORE RUB RAIL



V21-9959



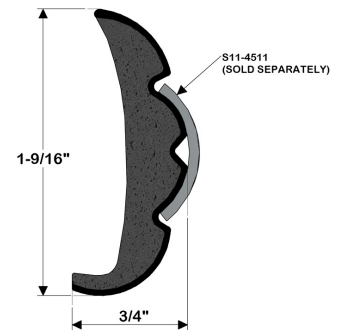
V21-9906

TACO Marine's latest Rub Rail innovation is an improved design of our most popular rigid PVC shape with a light weight, high-density inner core. This allows for easier handling, faster one-piece installation, improved dimensional stability and production run consistency.

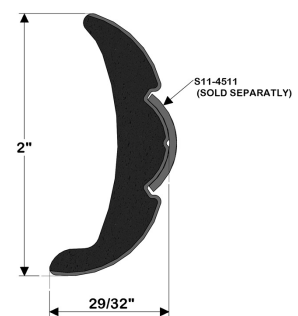
FEATURES & BENEFITS

- Ideal for boats up to 40-feet long
- Lightweight, easy handling and installation
- Solid, rigid PVC cap stock exhibits traditional surface characteristics, appearance and impact properties
- Continuous coil eliminates butt joints around gunwale, with improved bending characteristics and ability to cold form
- Vacuum calibration tooling allows for tighter dimensional tolerance and sizing consistency
- High-density core offers Improved shock-absorbent impact resistance
- Drilled and countersunk for #8 screw on 8-inch centers
- Insert S11-4511 required (sold separately)

V21-9959



V21-9906



PART #	LENGTH	COLOR	UPC
V21-9906BKA60D	60'	Black	630838084684
V21-9906WHC20D	20'	Frosty White	-
V21-9906WHC60D	60'	Frosty White	630838084691
V21-9906WHC65D	65'	Frosty White	-
V21-9959BKA20D	20'	Black	630838084387
V21-9959BKA60D	60'	Black	-
V21-9959WHC45D	45'	Frosty White	-
V21-9959WHC20D	20'	Frosty White	630838084356
V21-9959WHC50D	50'	Frosty White	630838084363
V21-9959WHC60D	60'	Frosty White	630838084370