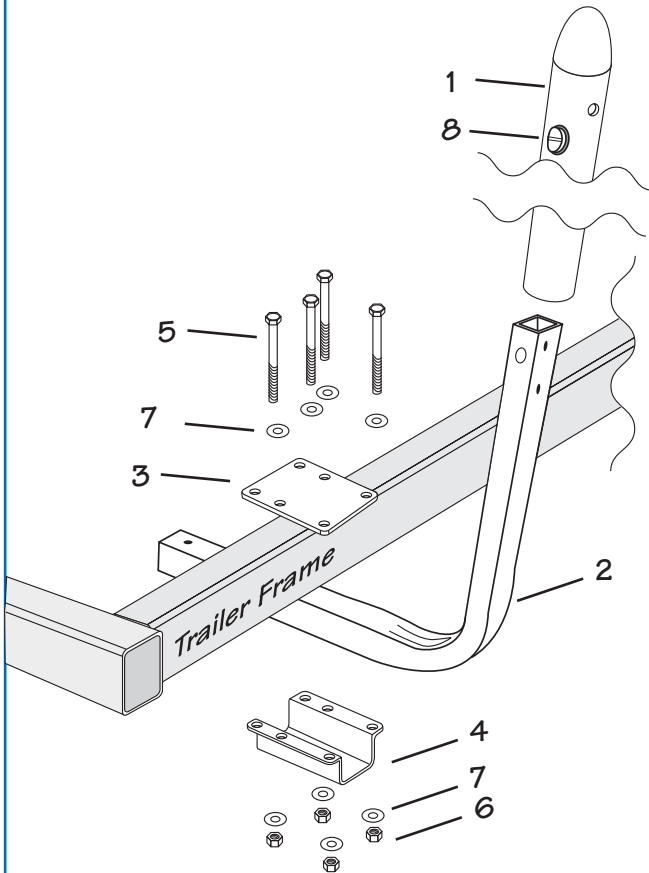




best in the
LongRun

Heavy Duty PVC Guide On's

Assembly/Installation Instructions



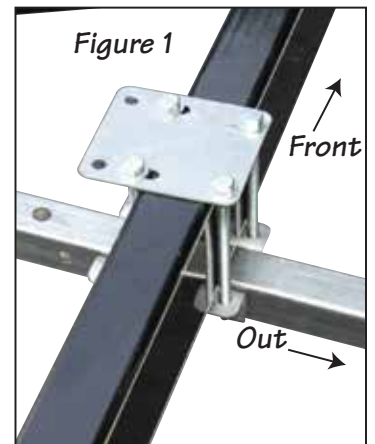
Part #'s: 86103 & 86119

#	Qty.	Qty.	Part #	Description
1	2	---	48074	Side Guide Tube 48" w/Orange Cap
1	---	2	85001-1	Side Guide Tube 60" w/Orange Cap
2	2	2	48066	Support Tube
3	2	2	48011	Mounting Plate
4	2	2	48012	Channel Bracket
5	8	8	10924	3/8"x 5" Hex Head Bolt
6	8	8	10627	3/8" Hex Nyloc Nut
7	16	6	10841	3/8" Washer

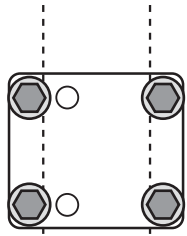
Part #'s: 86441 & 86440 - Kits with LED Lights

#	Qty.	Qty.	Part #	Description
1	2	---	48116	Side Guide Tube 48" w/Orange Cap
1	---	2	48117	Side Guide Tube 60" w/Orange Cap
2	2	2	48066	Support Tube
3	2	2	48011	Mounting Plate
4	2	2	48012	Channel Bracket
5	8	8	10924	3/8"x 5" Hex Head Bolt
6	8	8	10627	3/8" Hex Nyloc Nut
7	16	16	10841	3/8" Washer
8	2	2	17266	LED Light Kit

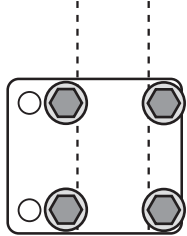
1. Before assembling the mounting hardware as shown on above, decide where and which set up you will want the guide post placed on your trailer.
(Use the diagrams on back to determine guide post placement.)
2. Using 4 - 3/8"x 5" hex head bolts, 8 flat washers and 4 nyloc nuts, for each, attach the guide support mounts onto your trailer frame, as shown in figure 1. Use the holes that will keep the bolts closest to the frame tube. Finger tighten at this time. Repeat for other side.
3. Slide the guide support tube into the channel bracket as shown in figure 1.
4. Adjust the guide tubes for proper distance on each side. Tighten support mounts bolts at this time.
5. Slide the PVC tubes over the side guide tubes.



Guide Post Placement Guide

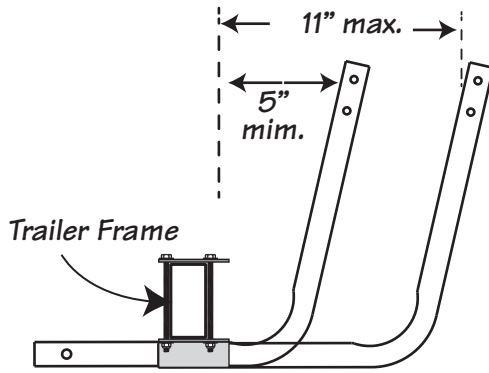


Mounting position for 3" wide tubes

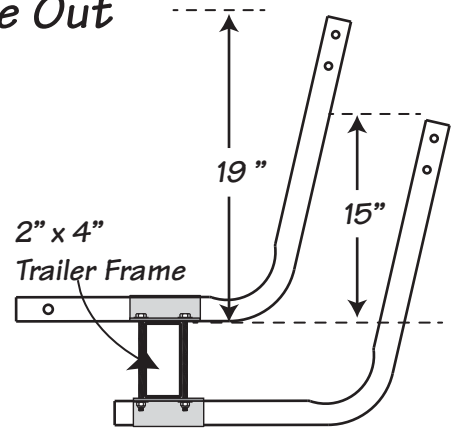


Mounting position for 2" wide tubes

Long Tube Side Out

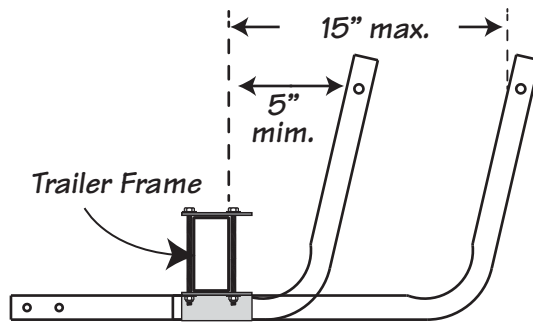


Horizontal Movement 5" to 11"

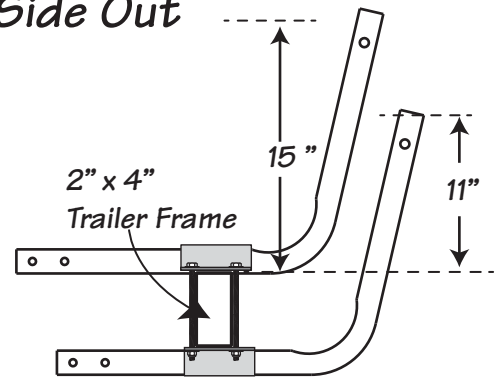


Vertical Movement 19" to 19" Minus Tube Height

Short Tube Side Out



Horizontal Movement 5" to 15"



Vertical Movement 15" to 15" Minus Tube Height

*Heavy Duty PVC Guide On's with Lights

Wiring Instructions for Models 86441 & 86440

1. Pull out the white and black wire from the bottom of the PVC tubes. Straighten both lines to the full length.
2. Position the PVC tubes so the red light faces backward. While holding the ends of both wires slide the PVC tubes over the steel support tubes. The remaining wire should extend below the tube and steel support tube.
3. Press the trailer running light wire (brown) into the open side of the splice connector. Push the black LED wire into the opposite side of the splice connector.
4. Place the splice connector in the pliers and press the metal splice plate through both wires. Close the locking tab.
5. Place the self tapping screw thru the eyelet on the white grounding wire. Screw the self tapping screw into the trailer frame.
6. Hook up the trailer and test your towing lights. When the trailer/tow vehicle lights are on the red LED lights should also be on.

