

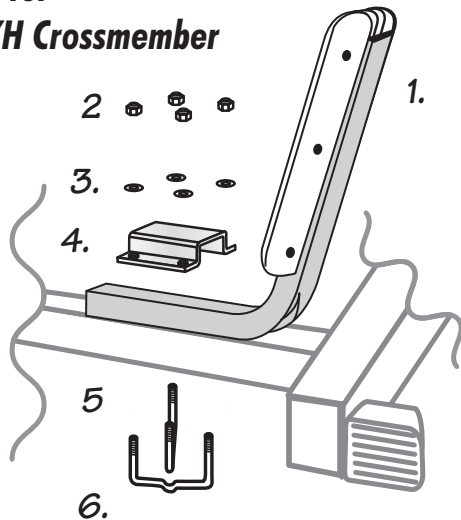


best in the
LongRun

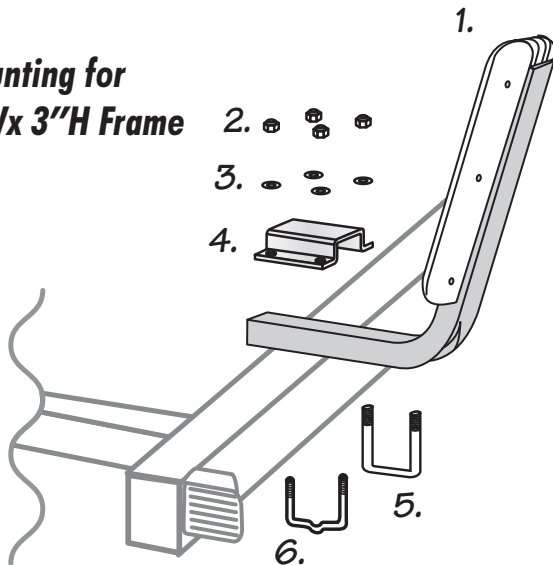
Low Ride Guide On's

Assembly/Installation Instructions
Part #86466

Mounting for 2"W x 2"H Crossmember



Mounting for 2"Wx 3"H Frame



NOTE: On 2"W x 3"H tube the u-bolts are not "Cross mounted".

This kit contains the following components:

#	Qty.	Part #	Description
1	2	43765A	Guide Tube Assembly
2	8	10627	Nylock Nut 3/8"
3	8	10841	Washer 3/8"
4	2	43757	Bracket Channel
5	2	83106	U-bolt 3/8"x 5"
6	2	83107	U-bolt 3/8"x 5" with cross relief

Installation Instructions

1. Using the bracket channel (4) and guide tube (1) as a guide, check position on cross beam or frame for product placement, the bracket channel (4) can be placed in the up or down position.
2. Place one straight u-bolt (5) and one cross over u-bolt (6) over or under the frame. Make sure the cross over u-bolt over laps the straight u-bolt (see note below). Position bracket channel (4) over/under the u-bolts. Loosely attach washers (3) and nylock nuts (2).
3. Inset a guide tube (1) into the bracket channel (4) place both for final position.
4. Make sure the guide tube is properly seated within the bracket channel, the cross relief u-bolt rest over the straight u-bolt and the guide tube mounts at a 90° angle to the frame.
5. Finish tightening the u-bolts.

