

Pontoon Trailer Floating Guide On's



best in the
LongRun

Assembly/Installation Instructions Part #86468

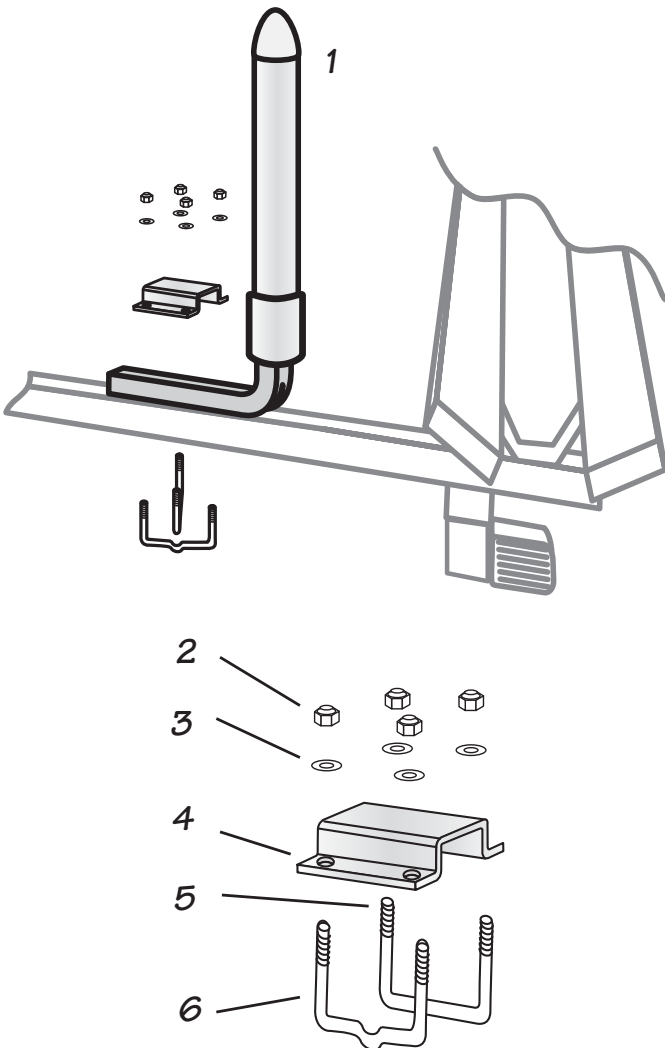
- Hot dip galvanized steel tubing
- Fits over 2" wide cross members
- 24" overall height on land,
36" fully extended
- Bright orange end caps for easy
viewing & loading
- All mounting hardware included

This kit contains the following components:

#	Qty.	Part #	Description
1	2	44759	24" Guide tube with PVC Post
2	8	10627	Nylock Nut 3/8"
3	8	10841	Washer 3/8"
4	2	43757	Bracket Channel
5	2	83106	U-bolt 3/8"
6	2	83107	U-bolt 3/8" with cross relief

Installation Instructions

1. Using the bracket channel (4) and guide tube (1) as a guide, check position on cross beam or frame for guide placement.
2. Place one straight u-bolt (5) and one cross over u-bolt (6) over or under the crossmember. Position bracket channel (5) over the u-bolts. Loosely attach washers (3) and nylock nuts (2).
3. Inset a guide post (1) into the bracket channel (4) place both for final position.
4. Make sure the guide tube is properly seated within the bracket channel, the cross relief u-bolt is placed over the straight u-bolt and the guide tube mounts at a 90 degree angle to the frame.
5. Perform one last check for guide placement.
6. Finish tightening the u-bolts.



Instruction Sheet #08137



A1161; 051116