

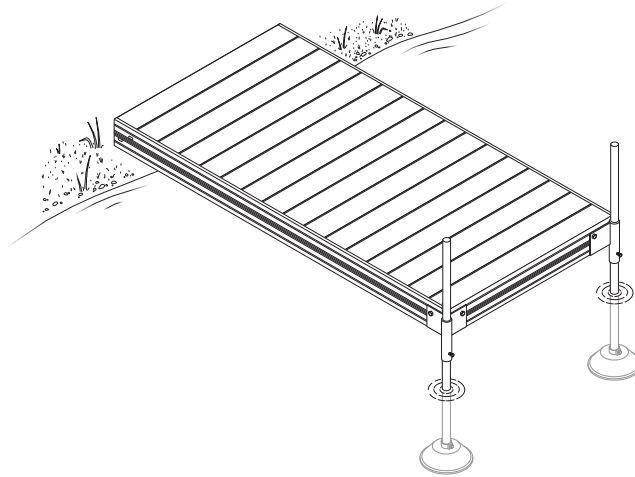


Tommy Docks  
 8608 Progress Way, Weston, WI 54476  
 Phone : 715-842-3804  
 Toll Free : 866-675-1880  
 Fax : 715-842-3420

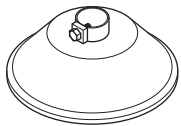
## Installation of Tommy Docks

### Classic+ | Premium | Platinum - Complete Dock Package(s)

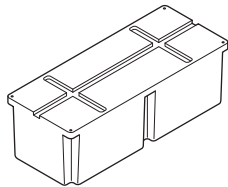
- Good value
- Low maintenance
- Lightweight frame



### Installation Components



Foot Pad



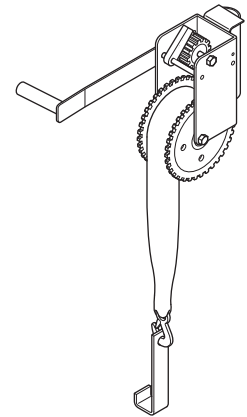
Suggested Use - AP-12  
 Floatation Aid



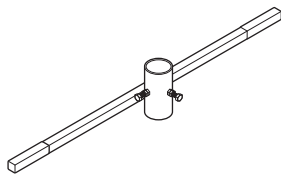
Safety Cap



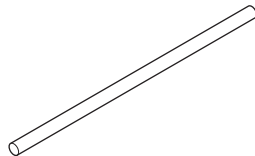
Auger Foot  
 (if applicable)



Suggested Use -  
 Winch Leveling System -  
 TD-10072



Suggested Use -  
 Auger Wrench TD-10085



Dock Post

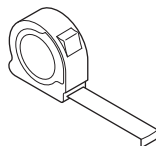


L-Pin

### Tools



Power Drill

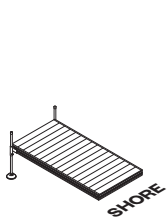


Tape Measure

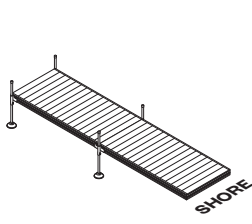
# Kit Configurations

Dock assembly is the same for whatever configuration you are using. Simply repeat the assembly process depending on the number of docks you need. Assembly for all configurations begins on page 4.

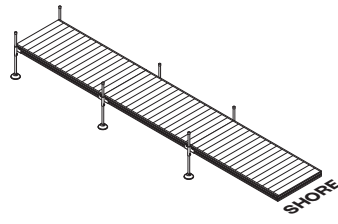
○ Drilling required in these areas year one only.



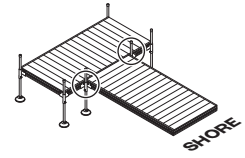
8' STRAIGHT DOCK  
(1 Section)



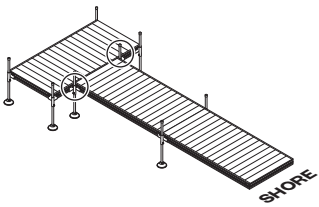
16' STRAIGHT DOCK  
(2 Sections)



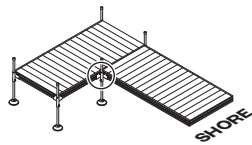
24' STRAIGHT DOCK  
(3 Sections)



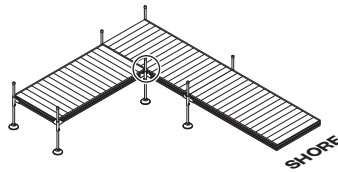
12' T-SHAPED DOCK  
(2 Sections)



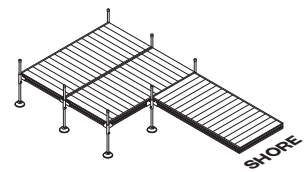
20' T-SHAPED DOCK  
(3 Sections)



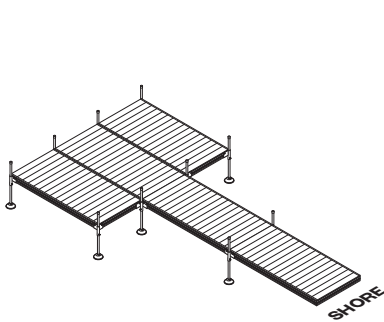
12' L-SHAPED DOCK  
(2 Sections)



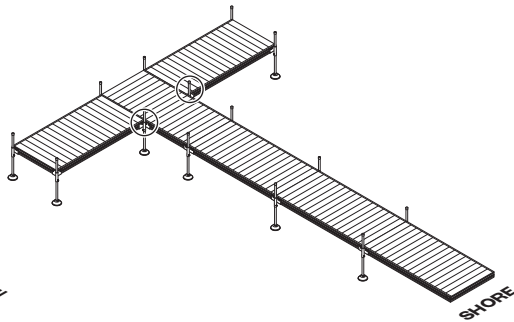
16' L-SHAPED DOCK  
(3 Sections)



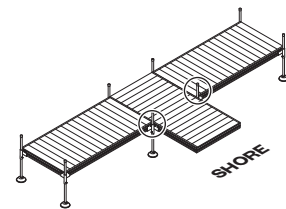
16' PLATFORM DOCK  
(3 Sections)



24' PLATFORM DOCK  
(5 Sections)

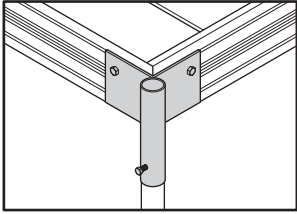


24' T-SHAPED DOCK  
(5 Sections)



8' T-SHAPED DOCK  
(3 Sections)

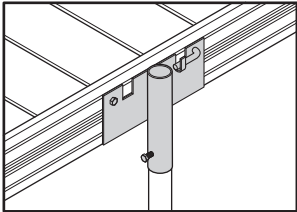
# Bracket Installation



**A-Bracket (outside corner)**

## **A-Bracket (outside corner)**

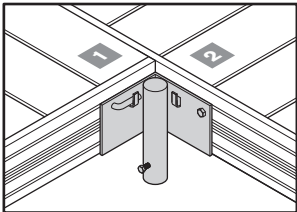
1. Position A-Bracket (refer to dock layout) making sure that both dock frames are seated completely in the saddle of the A-Bracket.
2. Install two (2) 1/2" x 2-1/4" bolts, washer and nuts. The nuts are positioned on the inside of the dock's frame.



**B-Bracket (straight side)**

## **B-Bracket (straight side)**

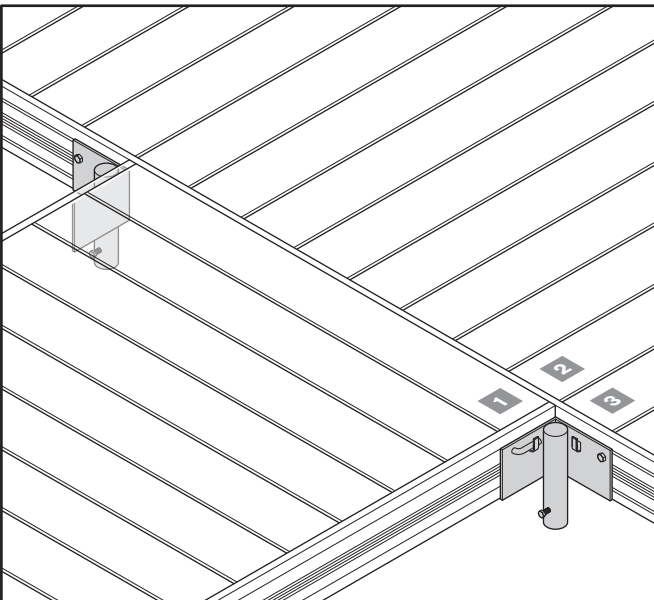
1. Position B-Bracket (refer to dock layout) making sure that dock's frame is seated completely in the saddle of the B-Bracket.
2. Install one (1) 1/2"-13 x 2-1/4" bolt, washer, and nut. The nut is positioned on the inside of the dock's frame.



**C-Bracket (2-way inside corner)**

## **C-Bracket (2-way inside corner) For connecting two dock sections**

1. Position C-Bracket (refer to dock layout) making sure that dock's frame is seated completely in the saddle of the C-Bracket. Header frame must not protrude past the angle plate or the next dock section will hit.
2. Install one (1) 1/2"-13 x 2-1/4" bolt, washer and nut. The nut is positioned on the inside of the dock's frame.



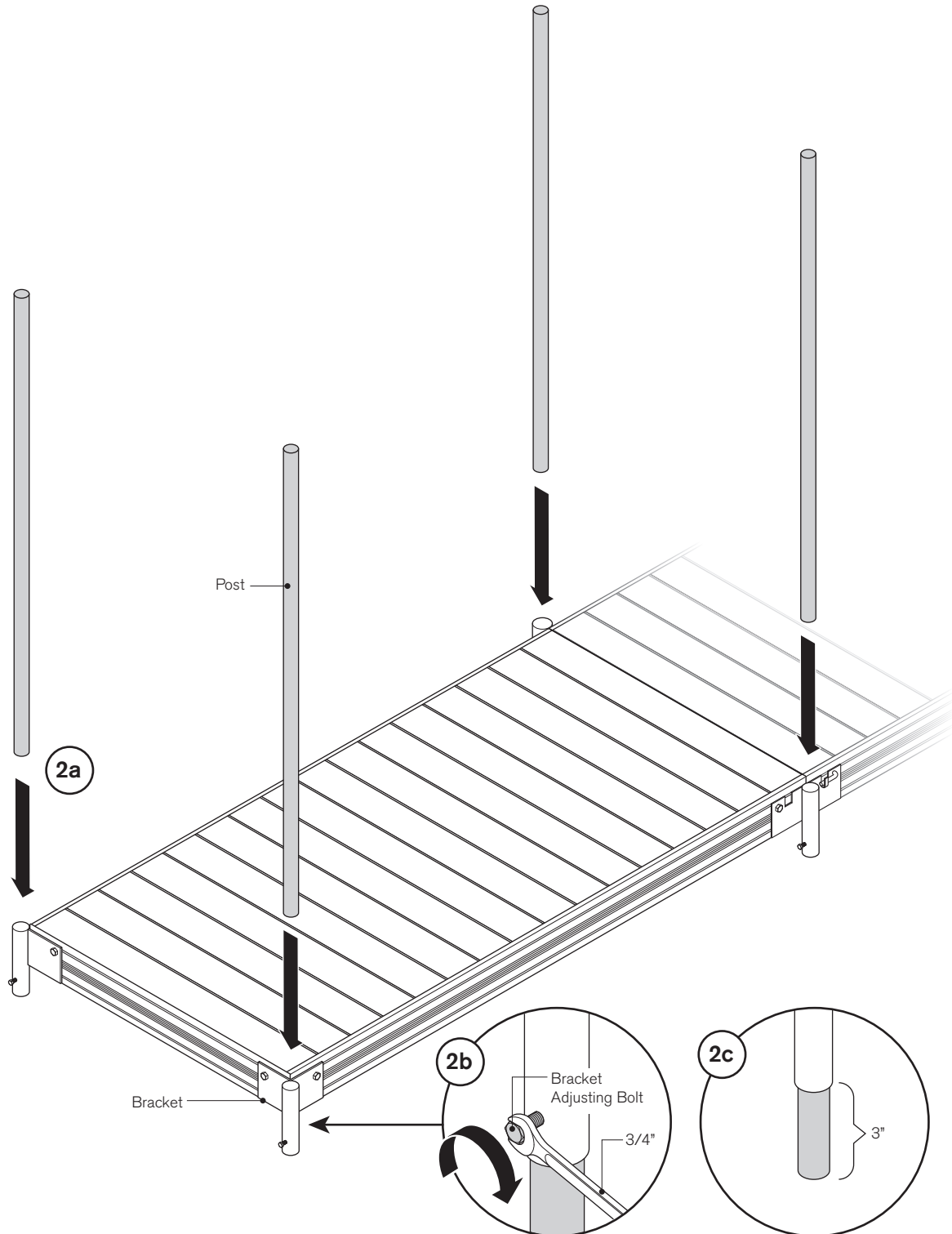
**D-Bracket (3-way inside corner)**

## **D-Bracket (3-way inside corner) For connecting three dock sections**

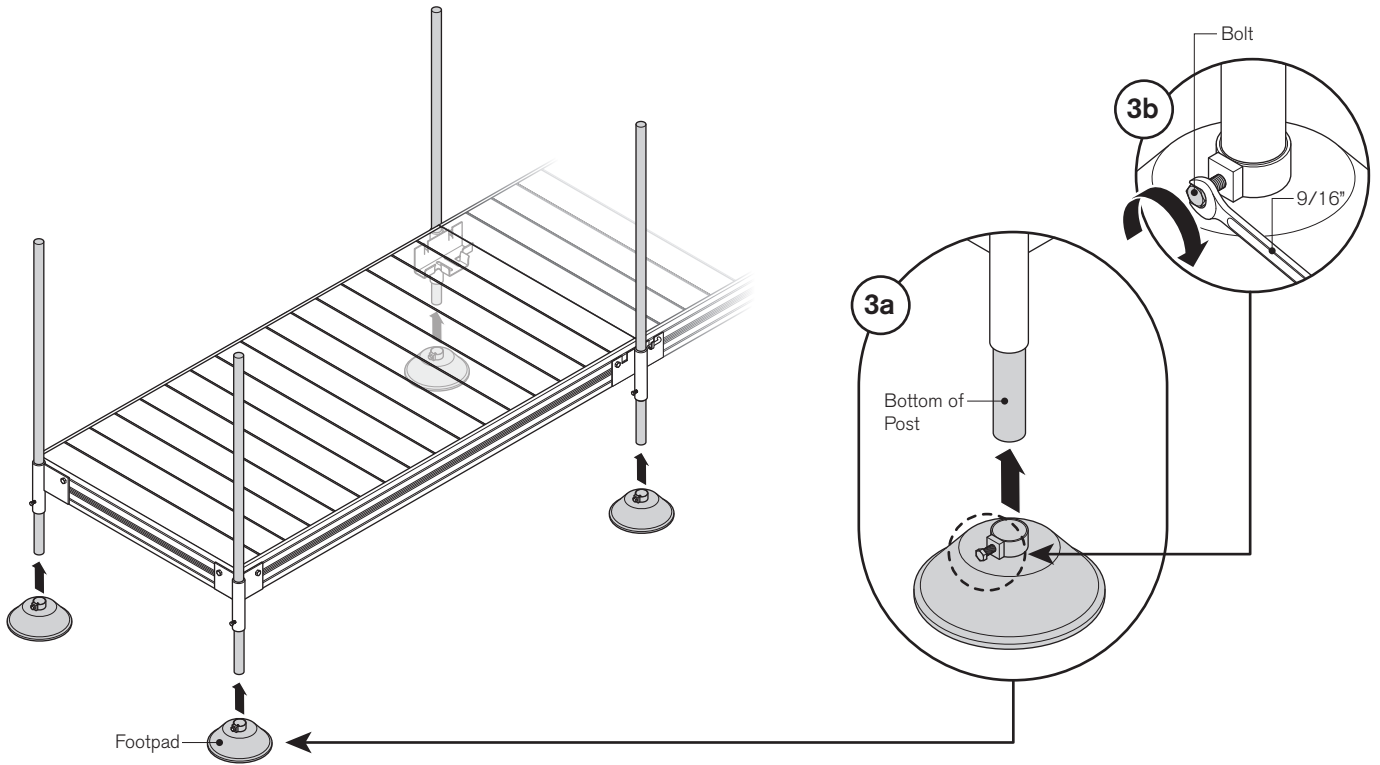
1. Position D-Bracket (refer to dock layout) making sure that dock's frame is seated completely in the saddle of the D-Bracket. Header frame must not protrude past the angle plate or the next dock section will hit.
2. Install one (1) 1/2"-13 x 2-1/4" bolt, washer and nut. The nut is positioned on the inside of the dock's frame.

**1** We recommend you level your shoreline with Blocks. Level shoreline Blocks will stabilize your dock and ensure a good start. While onshore, install Brackets on section (refer to dock layout and bracket installation sheets for correct bracket location and installation). We recommend the use of sawhorses or other suitable level work area for hardware installation. When installing Brackets for a tee section, measure the correct distance of mating docks (standard width is 47-3/4").

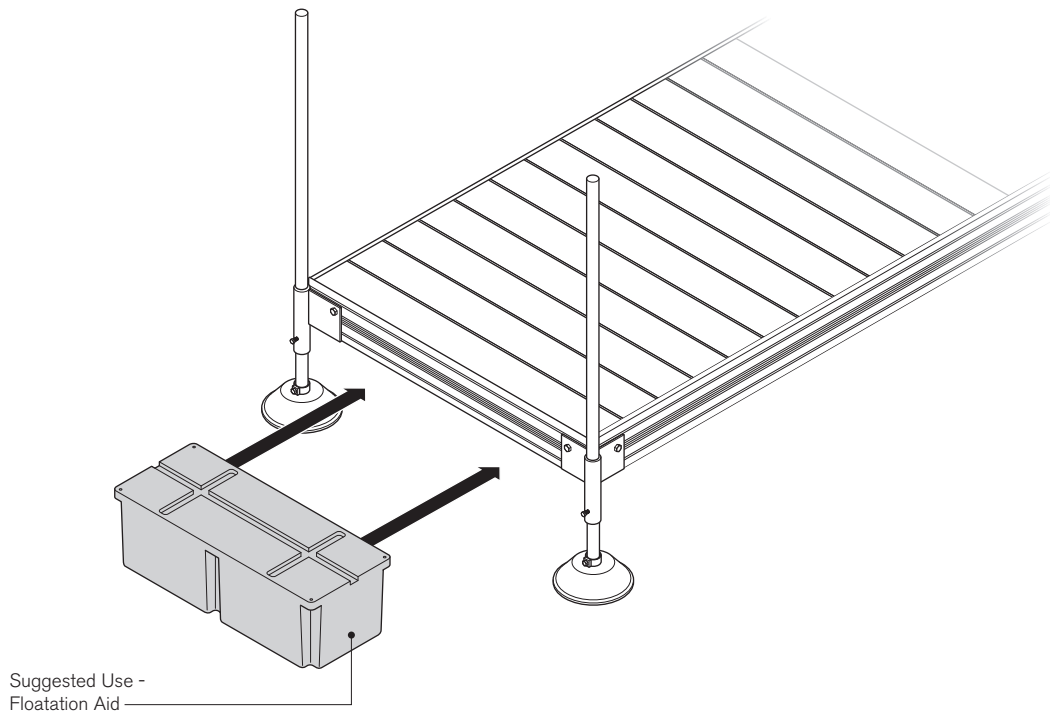
**2** Install predetermined length of Post through Brackets (2a) and temporarily tighten Bracket Adjusting Bolts (2b) leaving 3" of post below the bottom of each Bracket (2c).



**3** Install Footpad to the bottom of the Post (3a) and tighten Bolt at the top of the Footpad to secure its position (3b).



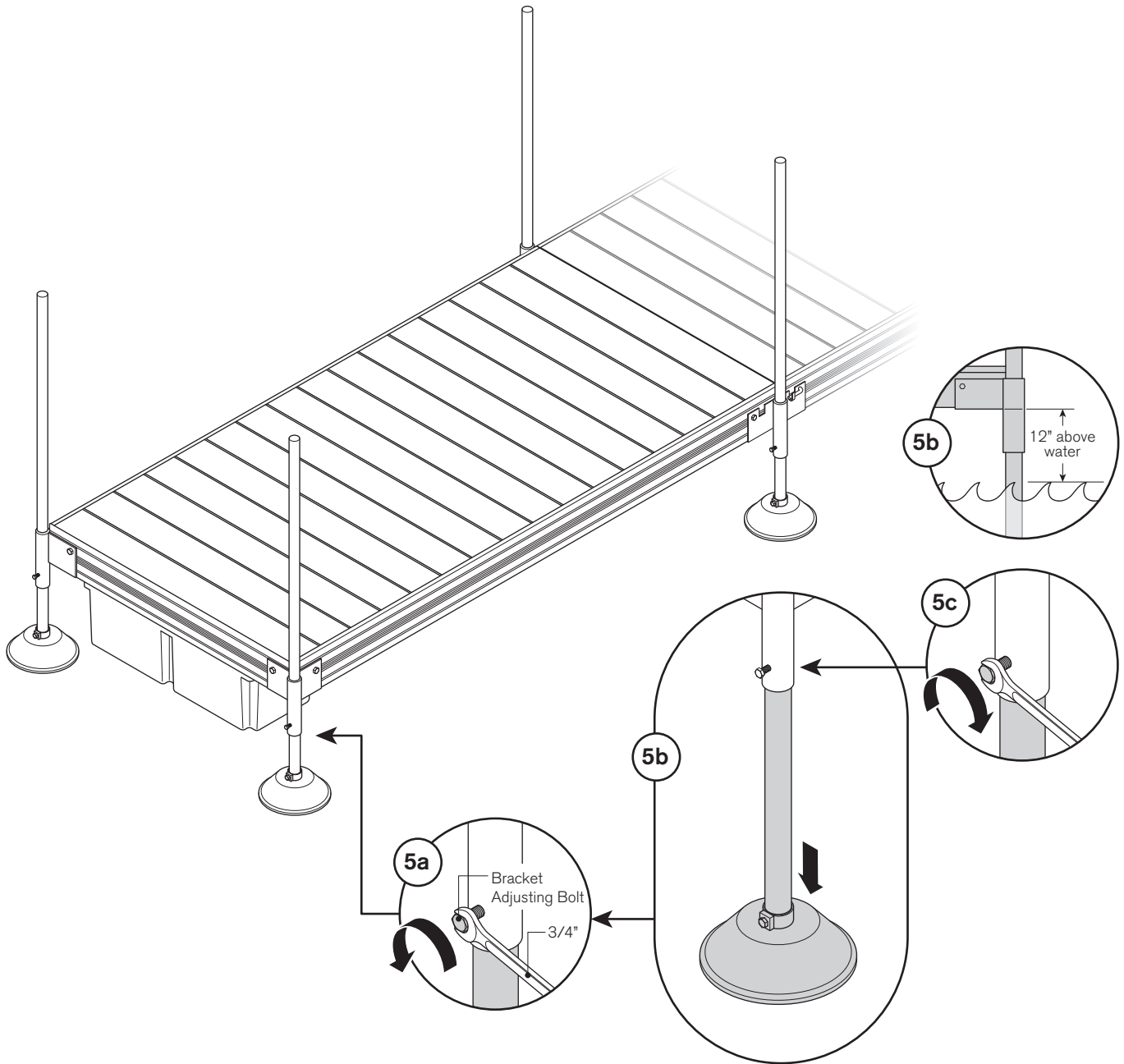
**4** After Brackets, Posts, and Footpads are installed on a section, slide Floating Aid under far end of the section and float into position. Once in place, walk out to the Bracket locations.



5

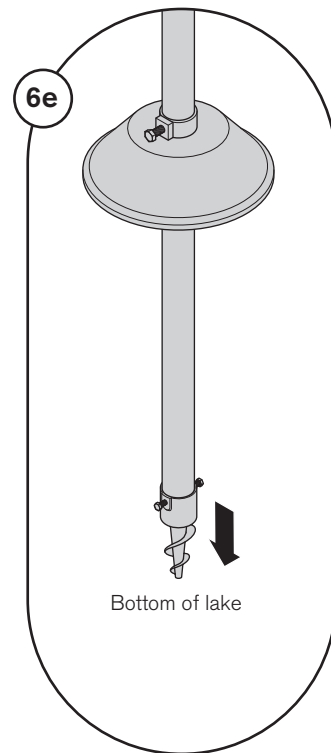
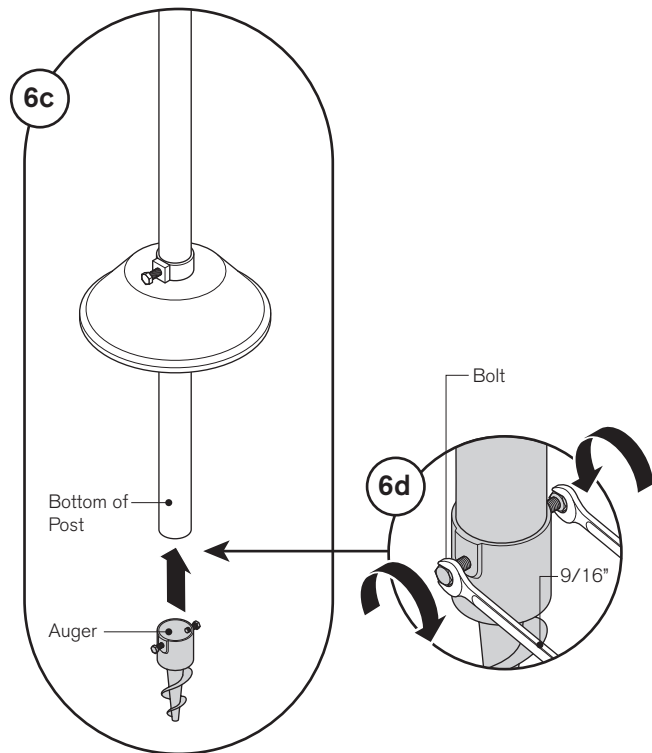
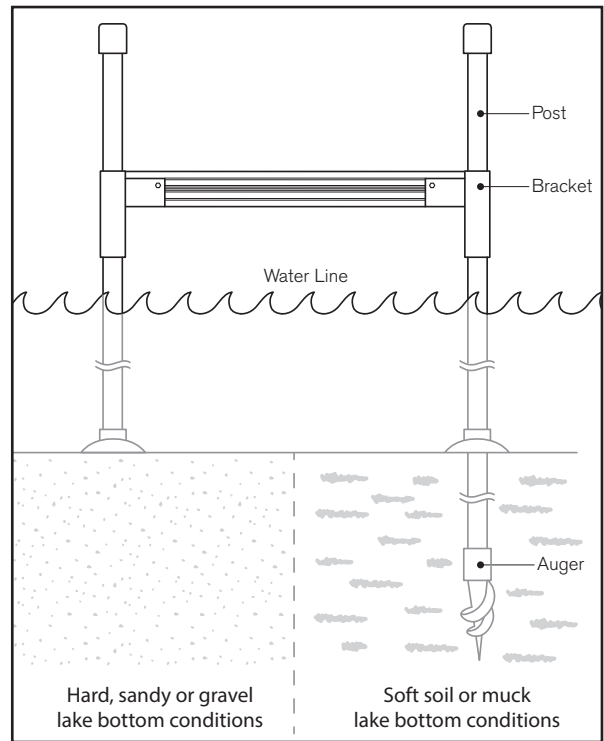
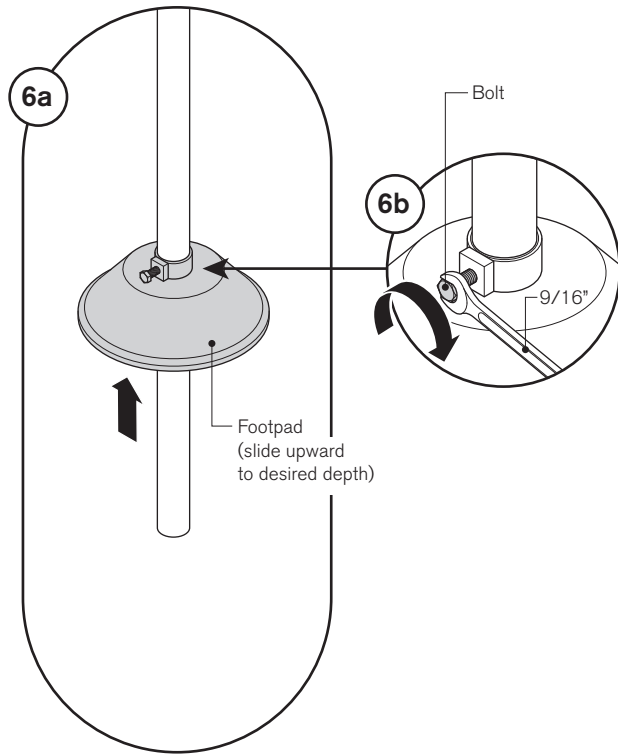
Loosen Bracket Adjusting Bolt (5a) and let Post slide down to the bottom of the lake (5b). Once the dock is at desired height (12" is recommended) (5c), tighten Bracket Adjusting Bolt (repeat this step for each Bracket) (5d). Repeat steps 2-5 for each dock section to be installed.

**Note:** Refer to dock layout for proper dock configuration.



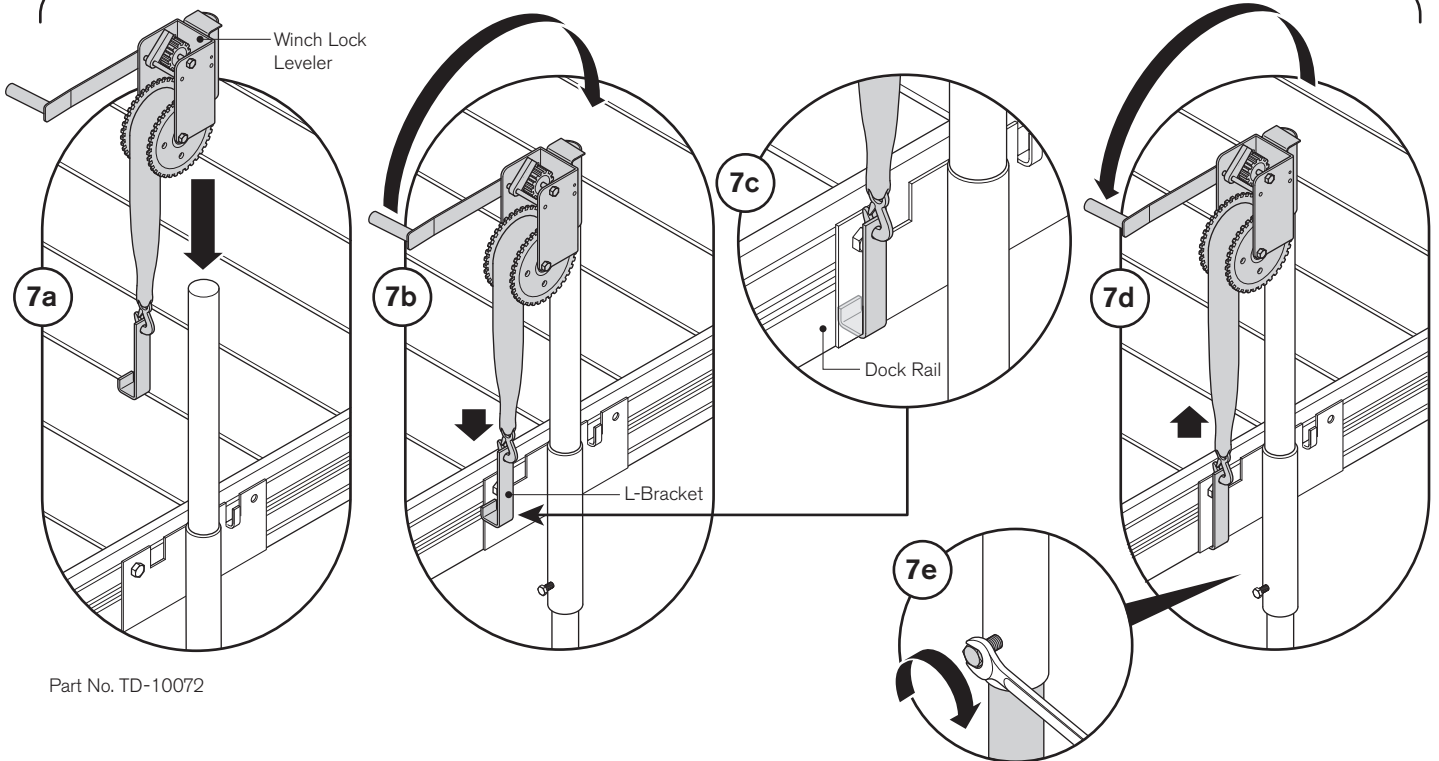
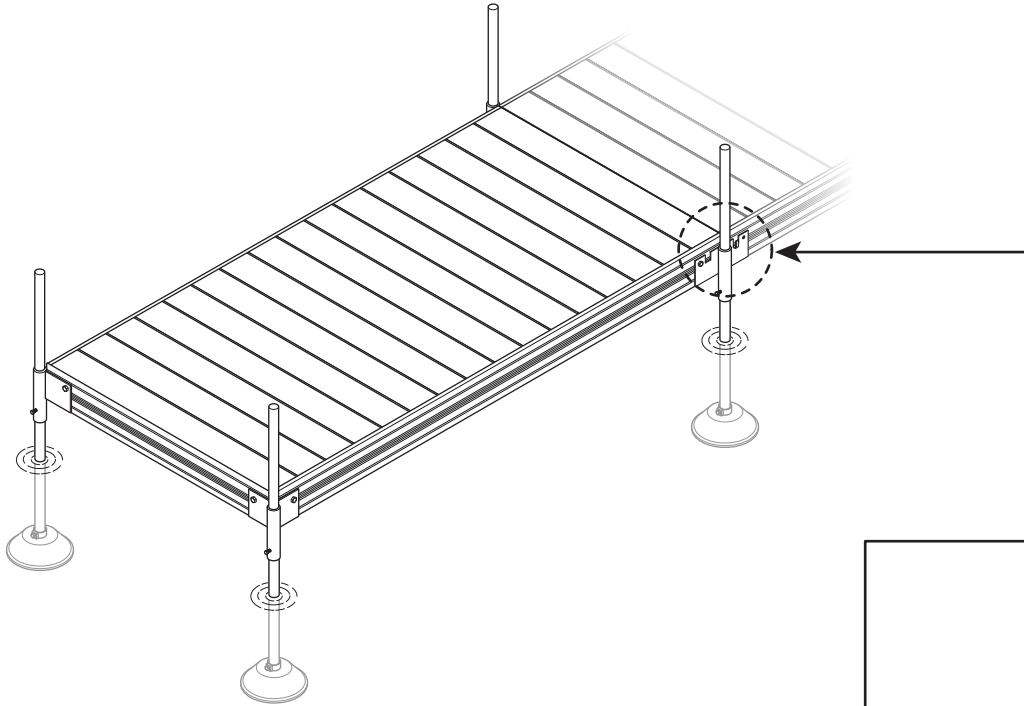
# 6

If using Auger Feet, slide the Footpad up to the desired depth (Footpad depth depends on bottom surfaces such as hard, soft, or rocky conditions, etc.) (6a) and tighten Bolt at the top of the Footpad to secure its position (6b). Position the Auger at the bottom of the Post (6c). Once in position, tighten the two Bolts on the Auger Foot until they are secure (6d). Slide Post down until the Auger touches the bottom of the lake (6e). Attach a post wrench to the Post and turn clockwise until the Footpad touches the bottom of the lake.



# 7

Level dock by lowering Winch Lock Leveler onto pole (7a). Turn Winch Lock Leveler handle to lower strap with L-Bracket (7b). Place L-Bracket underneath Deck Rail (7c). Turn Winch Lock Leveler handle to raise deck until level (7d). Tighten bracket adjusting bolt-on bracket (7e).

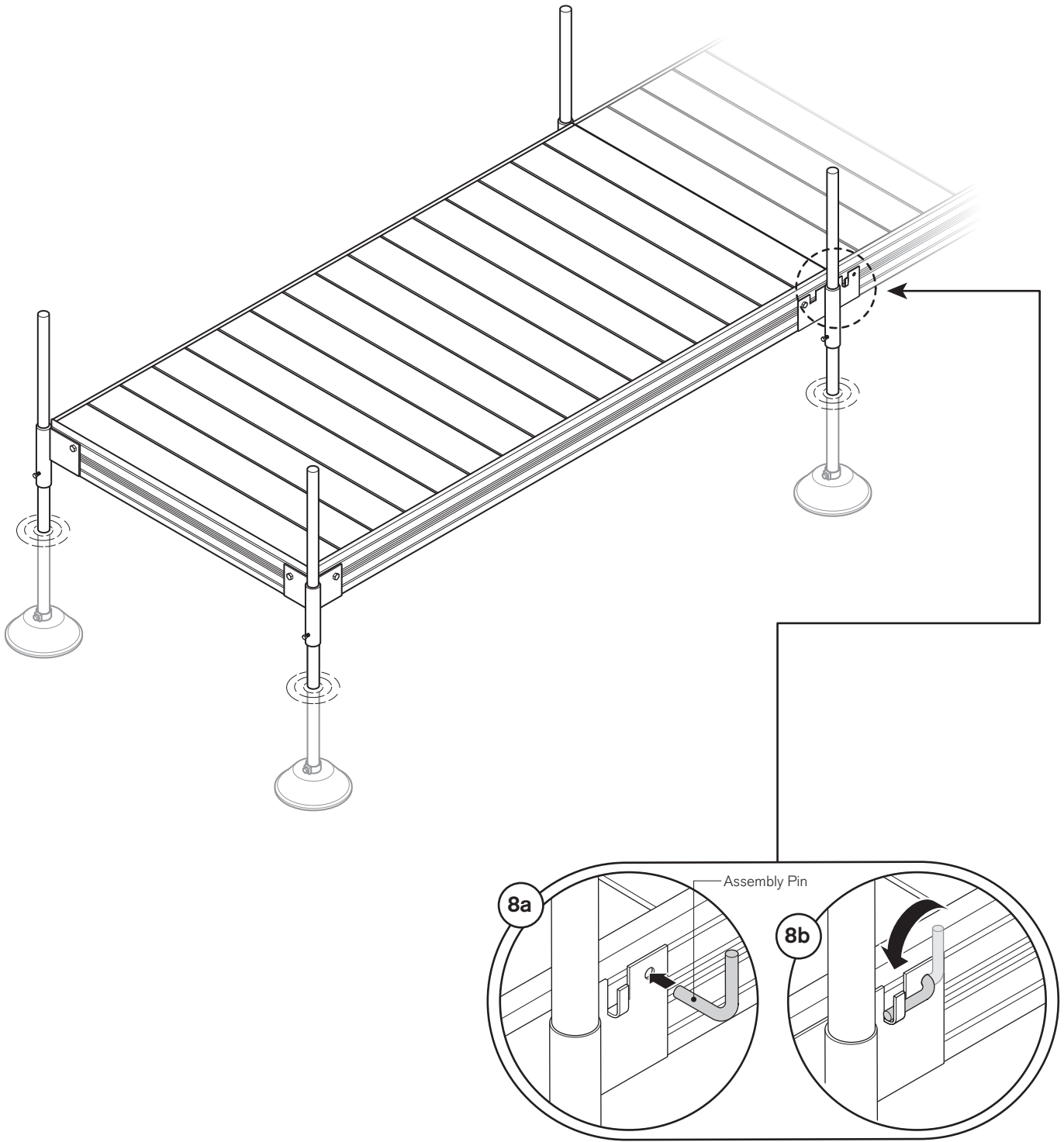


Part No. TD-10072



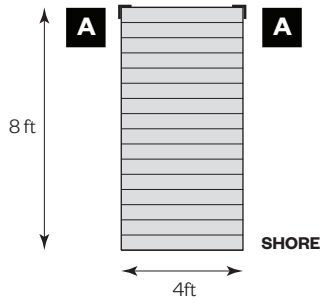
**8**

Insert Assembly Pin into hole of bracket (8a) and rotate downward so the Assembly Pin locks into place (8b). Install remaining Assembly Pins where applicable.

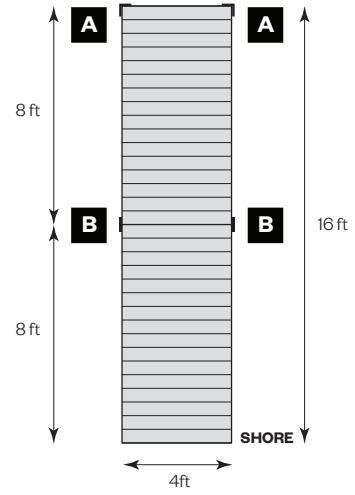


# Configurations

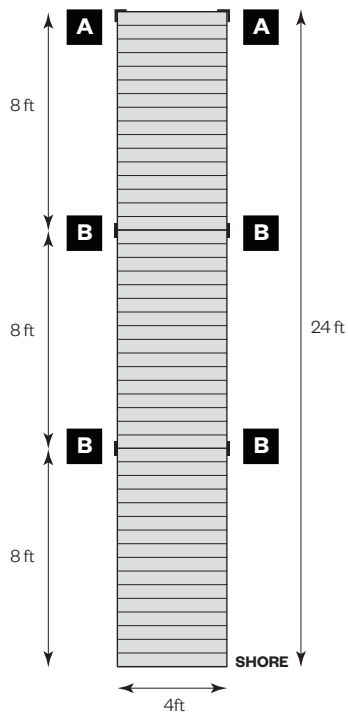
## 8' STRAIGHT DOCK



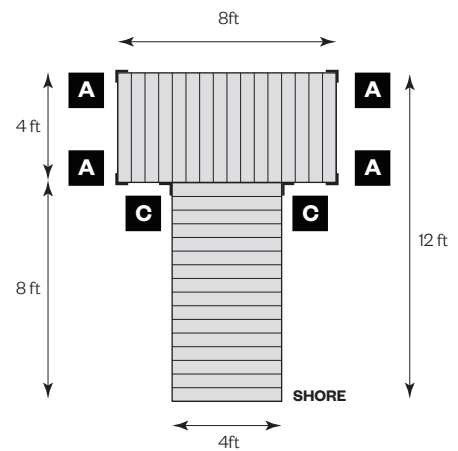
## 16' STRAIGHT DOCK



## 24' STRAIGHT DOCK

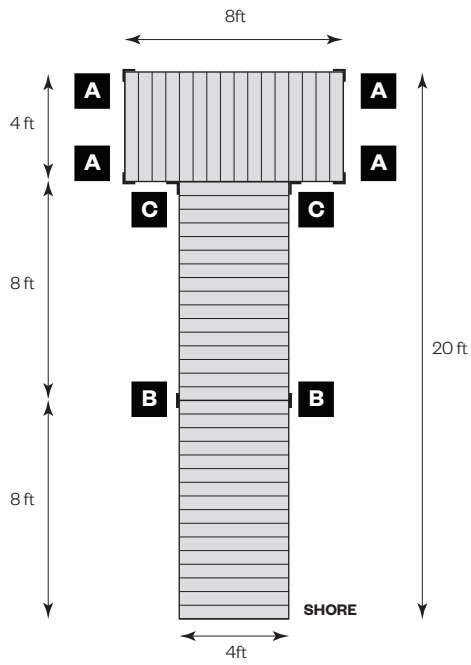


## 12' T-SHAPED DOCK

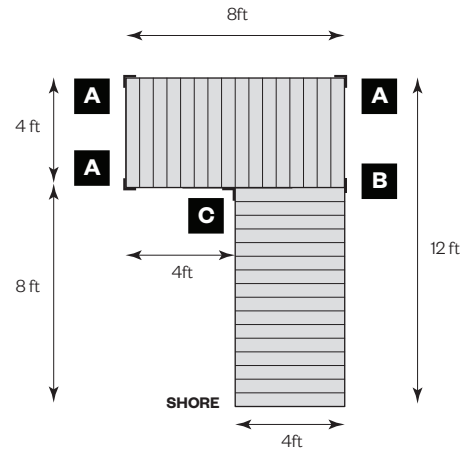


# Configurations (continued)

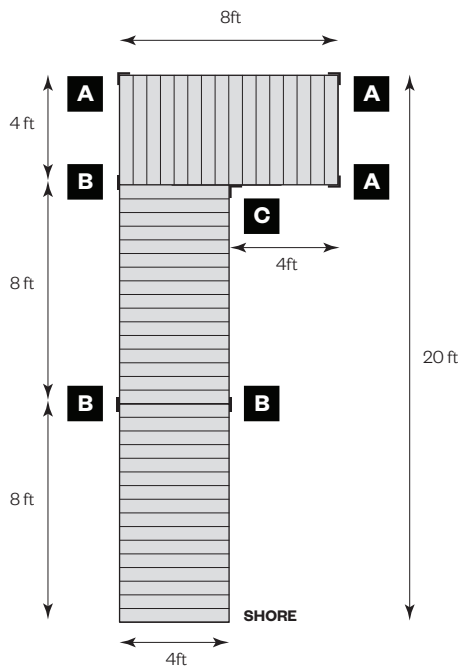
## 20' T-SHAPED DOCK



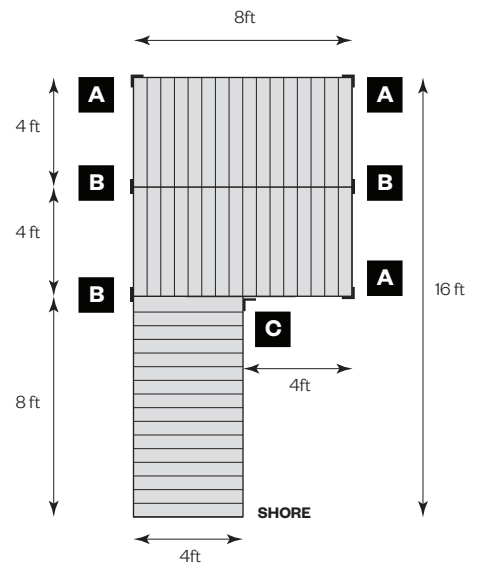
## 12' L-SHAPED DOCK



## 16' L-SHAPED DOCK

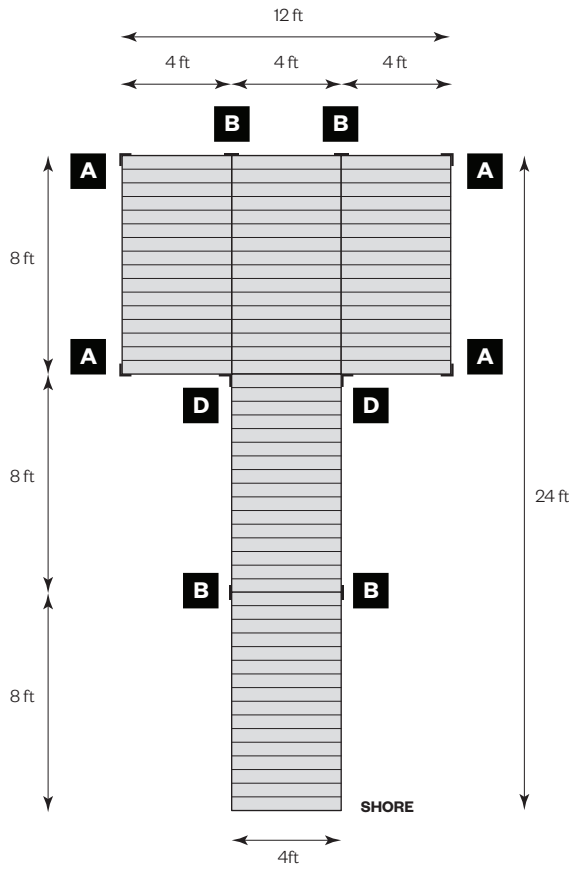


## 16' PLATFORM DOCK

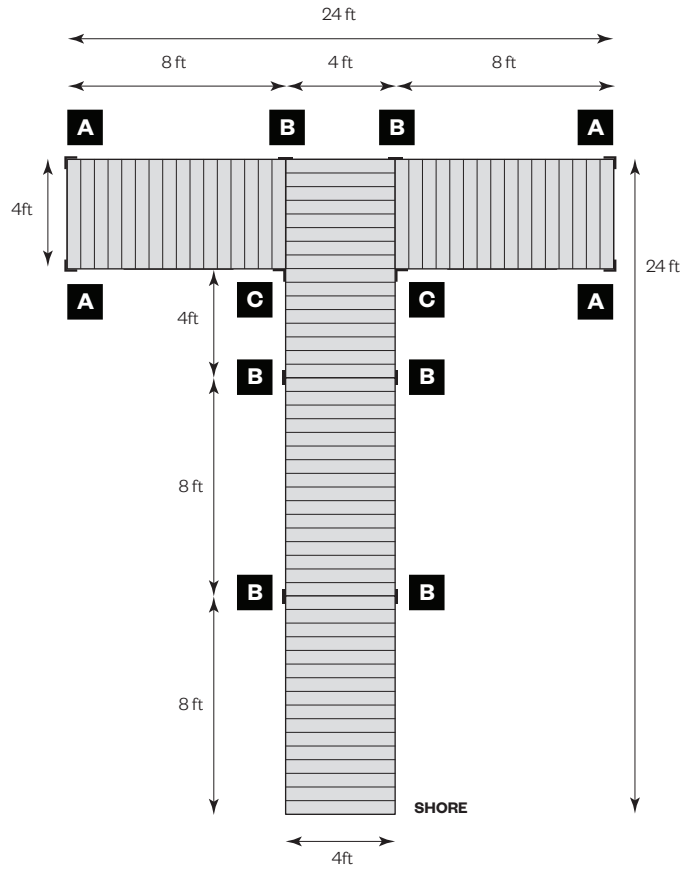


# Configurations (continued)

## 24' PLATFORM DOCK



## 24' T-SHAPED DOCK



## 8' T-SHAPED DOCK

