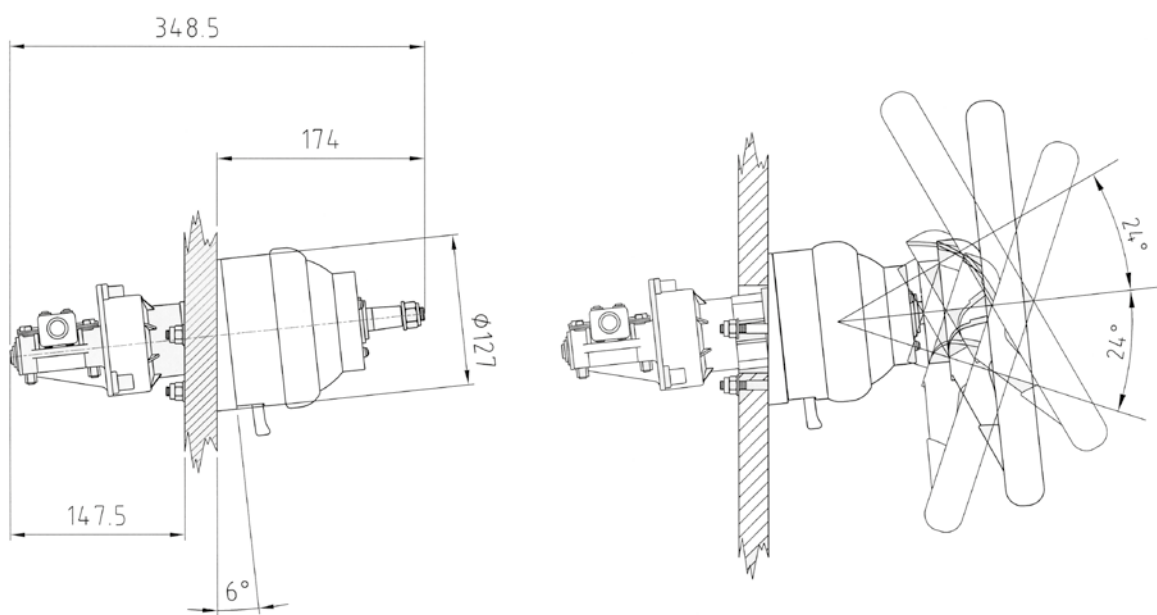


## G96 - G98NR dimensions



**G96 and G98NR® + X52**