

VELERIA SAN GIORGIO®



LIFEJACKET MANUFACTURER
made in Italy

VELERIA SAN GIORGIO®

since 1926

Research, innovation and quality. Today as it was then, our mission is to realize high-performing products, ensuring the maximum level of safety in water.

200 devices at your disposal, all certified for naval, military and sports sectors.





INDEX

SAFETY TECHNOLOGIES

4

PICTOGRAMS AND SYMBOLS

6

INFLATABLE LIFEJACKETS

7

INHERENT LIFEJACKETS

29

ACCESSORIES AND SPARE PARTS

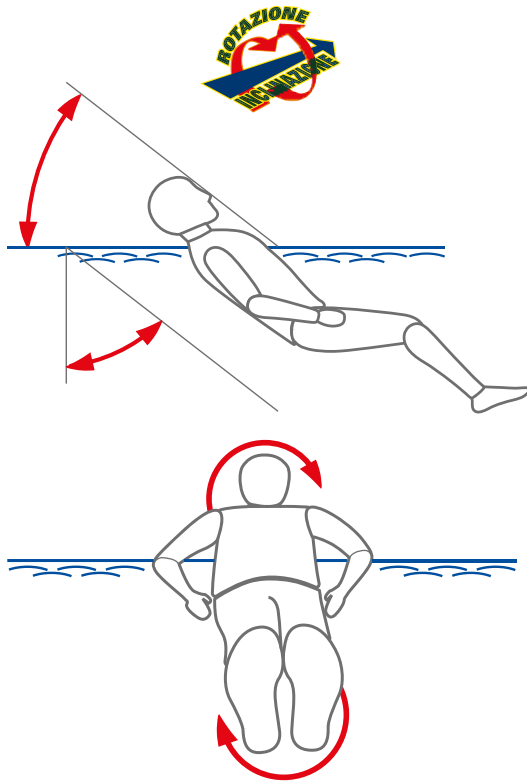
43

SAFETY EQUIPMENT

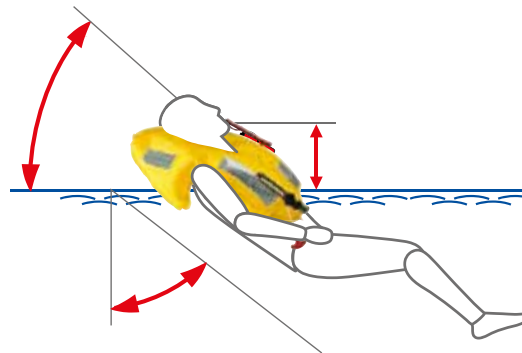
53

SPIN-TILT

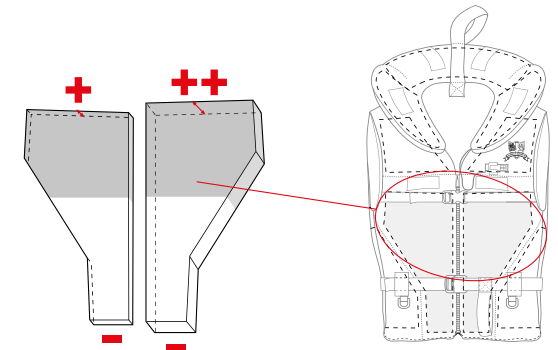
Our lifejackets guarantees an optimal position in the water and a great balance, thanks to their ergonomic features. In addition they are able to spin and to tilt the body of an unconscious person over the water to protect the respiratory tract.



The rotation system X3D System is designed following the human body ergonomic optimizing its position in water. This inflatable chamber, through its particular V shape, permits an immediate body spin and through the sort of "fins" on the back of the neck, provides an excellent support and a perfect balance to the user head. The design of this chamber guarantees the best freeboard (the height of respiratory tract from the water) in the category of inflatable lifejackets.



The "Speed Up" system, thanks to the specific cutting and foam positioning allows the rotational push and the body inclination. This system works thanks to foam masses positioned on the chest that through the right disproportion between right and left side and the centralization at the sternum-level with a downward development, guarantee the rotational speed and proper degrees of body inclination.

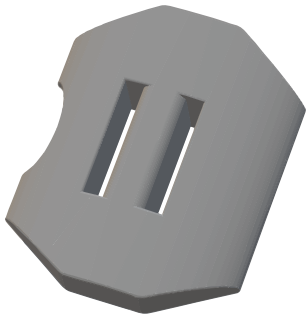


RESEARCH AND DEVELOPMENT

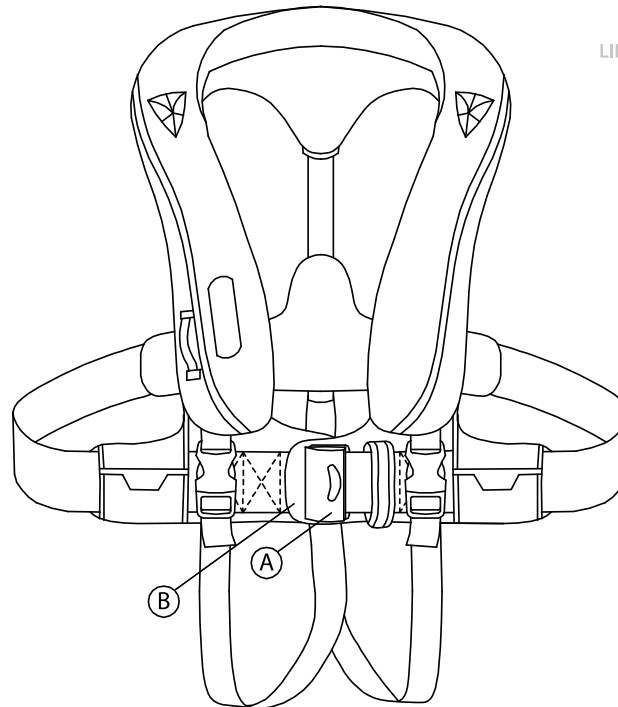
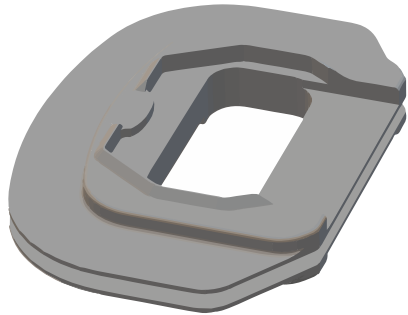
Research of materials and innovative solutions let develop new integrated systems applied on all ours safety devices. We develop special projects for each demand in the nautical, naval, military and aeronautical sectors.



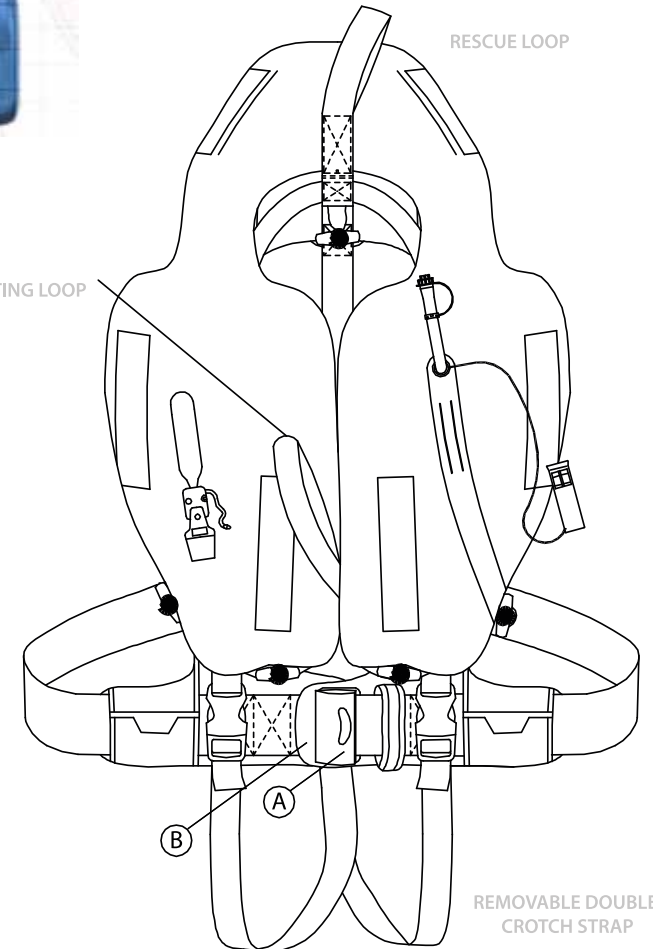
(A)



(B)



LIFTING LOOP



PICTOGRAMS AND SYMBOLS



For leisure activities in open sea and/or extreme weather conditions, with the possibility to wait for rescue for a long time and in very rough waters.



For leisure activities in open sea and/or adverse weather conditions, with the possibility to safely wait for rescue also in rough waters.



For activities in inland and/or coastal waters, in very favourable weather conditions, with the possibility to wait for rescue in calm waters.



For sports and leisure activities in inland waters and/or in the sea, in-shore with the possibility to receive a prompt rescue.



Safety Of Life At Sea, international convention for the safety of life at sea. Marine Equipment Directive (MED).



United States Coast Guard Certification.



Certification for safety harnesses and safety lines.



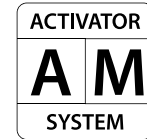
Certification for buoyancy aids and lifejackets.



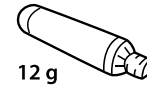
Three-dimensional fast spin system for inflatable lifejackets. Project and development by VSG.



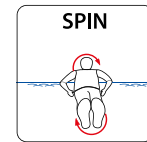
Fast spin system for inherent devices. Project and development by VSG.



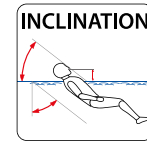
Activation system identification (automatic-manual).



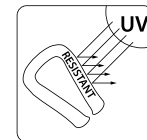
CO2 gas cylinder - required grammage for each lifejacket typology.



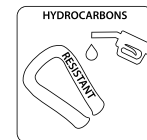
Indication of fast body spin in water.



Indication of proper body inclination in water.



UV resistant fabric.



Hydrocarbon resistant fabric.



INFLATABLE LIFEJACKETS

Top collection of personal safety devices, as result of design experience and several decades testings in military, professional and leisure sectors.

HURRICANE EVO - 290

CODE	ACTIVATION	SIZE	WEIGHT	CHEST SIZE	BUOYANCY	CERTIFICATION	COVER FABRIC	CHAMBER FABRIC	ACTIVATOR	CO2 CYLINDER
09350	AUTOMATIC	ADULT	> 40 kg	80/125 cm	290 N	ISO 12402-2; ISO 12401	PL 420D PU COATED	PA 420 PU COATED	UML-MK5	60 g
09351	MANUAL	"	"	"	"	"	"	"	UML-MICROMANUAL	"
09350/H	AUTOMATIC	"	"	"	"	"	"	"	HAMMAR - MA1/EC	"



Inflatable lifejacket with automatic and/or manual activator. Case made in highly resistant cluster rombo ripstop PL 420D, with zip burst system. Equipped with harness with new closing system, certified according to ISO 12401 and D-ring for safety line. Included accessories: sprayhood, emergency automatic light, crotch strap, floating knife, accessories holder pocket.

HURRICANE EVO - 160

CODE	ACTIVATION	SIZE	WEIGHT	CHEST SIZE	BUOYANCY	CERTIFICATION	COVER FABRIC	CHAMBER FABRIC	ACTIVATOR	CO2 CYLINDER
09320	AUTOMATIC	ADULT	> 40 kg	80/125 cm	160 N	ISO 12402-3; ISO 12401	PL 420D PU COATED	PA 420 PU COATED	UML-MK5	33 g
09321	MANUAL	"	"	"	"	"	"	"	UML-MICROMANUAL	"



Inflatable lifejacket with automatic and/or manual activator. Case made in highly resistant cluster rombo ripstop PL 420D, with zip burst system. Equipped with harness with new closing system, certified according to ISO 12401 and D-ring for safety line. Included accessories: sprayhood, emergency automatic light, crotch strap, floating knife, accessories holder pocket.

SPINNAKER - 180

CODE	ACTIVATION	SIZE	WEIGHT	CHEST SIZE	BUOYANCY	CERTIFICATION	COVER FABRIC	CHAMBER FABRIC	ACTIVATOR	CO2 CYLINDER	NOTE
09330/GN	AUTOMATIC	ADULT	> 40 kg	80/125 cm	180 N	ISO 12402-3; ISO 12401	PL 420D PU COATED	PA 420 PU COATED	UML-MK5	38 g	Yellow Black
09331/GN	MANUAL	"	"	"	"	"	"	"	UML-MICROMANUAL	"	"
09330/H/GN	AUTOMATIC	"	"	"	"	"	"	"	HAMMAR - MA1/EC	"	"
09330/RN	AUTOMATIC	"	"	"	"	"	"	"	UML-MK5	"	Red Black
09331/RN	MANUAL	"	"	"	"	"	"	"	UML-MICROMANUAL	"	"
09330/H/RN	AUTOMATIC	"	"	"	"	"	"	"	HAMMAR - MA1/EC	"	"



Inflatable lifejacket with automatic and/or manual activator. Case made in highly resistant cluster rombo ripstop PL 420D, with zip burst system. Equipped with harness with new closing system, certified according to ISO 12401 and D-ring for safety line. Included accessories: crotch strap, accessories holder pocket.

SPINNAKER BABY - 150

CODE	ACTIVATION	SIZE	WEIGHT	CHEST SIZE	BUOYANCY	CERTIFICATION	COVER FABRIC	CHAMBER FABRIC	ACTIVATOR	CO2 CYLINDER
09335/GN	AUTOMATIC	CHILD	20/50 kg	60/80 cm	100 N	ISO 12402-3; ISO 12401	PL 420D PU COATED	PA 420 PU COATED	UML-MK5	24 g



Inflatable lifejacket for babies with automatic and manual activator. Case made in highly resistant cluster rombo ristop PL 420D, with zip burst system. Equipped with harness with quick release closing system, certified according to ISO 12401 and D-ring for safety line. Included accessories: crotch strap.

SKIPPER - 150

CODE	ACTIVATION	SIZE	WEIGHT	CHEST SIZE	BUOYANCY	CERTIFICATION	COVER FABRIC	CHAMBER FABRIC	ACTIVATOR	CO2 CYLINDER
09230/1	AUTOMATIC	ADULT	> 40 kg	80/125 cm	150 N	ISO 12402-3	PL 600D PU COATED	PA 420 PU COATED	UML-MK5	33 g
09231/1	MANUAL	"	"	"	"	"	"	"	UML-MICROMANUAL	"



Inflatable lifejacket with automatic and/or manual activator. Case made in technological high resistance fabric. Closing system with quick release buckle made in acetalic resin.

AIR BAG EVO - 150

CODE	ACTIVATION	SIZE	WEIGHT	CHEST SIZE	BUOYANCY	CERTIFICATION	COVER FABRIC	CHAMBER FABRIC	ACTIVATOR	CO2 CYLINDER
09205/1	AUTOMATIC	ADULT	> 40 kg	80/125 cm	150 N	ISO 12402-3	PL 600D PU COATED	PA 420 PU COATED	UML-MK5	33 g
09206/1	MANUAL	"	"	"	"	"	"	"	UML-MICROMANUAL	"



Inflatable lifejacket pack, with automatic and/or manual activator. The smallest lifejacket of the world, always ready for use, it can be put everywhere and it's easy to wear in any condition. It can be used as mandatory safety equipment. Closing system with quick release buckle made in acetalic resin. Equipped with inspection window on the activator.

AIR BAG SMART - 150

CODE	ACTIVATION	SIZE	WEIGHT	CHEST SIZE	BUOYANCY	CERTIFICATION	COVER FABRIC	CHAMBER FABRIC	ACTIVATOR	CO2 CYLINDER
09205/SMART	AUTOMATIC	ADULT	> 40 kg	80/125 cm	150 N	ISO 12402-3	VACUUM SEALED PE BAG	PA 420 PU COATED	UML-MKS	33 g



Thickness: 3 cm
 Height: 12 cm
 Width: 24 cm
 Weight: 600 gr



Waterproof bag made in PVC for 4/6 AIR BAG SMART
 CODE: 11009/C



150 Newton Compact inflatable lifejacket. Designed to optimize efficiency, dimensions and to reduce costs, it's suitable as compulsory safety device on board for navigation without limits from the coast. Automatic or manual UML inflator. Vacuum package with tear strip opening.

AIR - 100

CODE	ACTIVATION	SIZE	WEIGHT	CHEST SIZE	BUOYANCY	CERTIFICATION	COVER FABRIC	CHAMBER FABRIC	ACTIVATOR	CO2 CYLINDER
07201	MANUAL	ADULT	> 40 kg	80/125 cm	100 N	ISO 12402-4	PE BAG	PA 420 PU COATED	UML-MICROMANUAL	24 g



Inflatable lifejacket. Specific product for aircraft, vessels for civil transport and pleasure boats. PE package with tear strip opening.

MODULO - 310

CODE	ACTIVATION	SIZE	WEIGHT	CHEST SIZE	BUOYANCY	CERTIFICATION	COVER FABRIC	CHAMBER FABRIC	ACTIVATOR	CO2 CYLINDER	HARNESS
02130/1	DAA	ADULT	43/140 kg	≤ 175 cm	310 N	SOLAS M.E.D.	PL 600D PU COATED	PA 420 PU COATED	2X UML-MK5	2X 60 g	NO
02131/1	DAAM	"	"	"	310 N	"	"	"	UML-MK5+MICROM.	2X 60 g	"
02132/1	SAA	"	"	"	290 N	"	"	"	UML-MK5	60 g	"
02130/HX/1	DAA	"	"	"	310 N	SOLAS M.E.D. ISO 12401	"	"	2X UML-MK5	2X 60 g	YES
02131/HX/1	DAAM	"	"	"	310 N	"	"	"	UML-MK5+MICROM.	2X 60 g	"
02132/HX/1	SAA	"	"	"	290 N	"	"	"	UML-MK5	60 g	"



XSD SYSTEM

ACTIVATOR
AM
SYSTEM

60 g

SPIN

INCLINATION



Inflatable lifejacket. Double compartment floating chamber with case made in highly resistant fabric. Equipped with Buddy System. Available with Double Automatic Activator (DAA), Double Automatic and Manual Activator (DAAM), Single Automatic Activator (SAA). HX version with safety harness, certified according to ISO 12401.

MODULO - 170

CODE	ACTIVATION	SIZE	WEIGHT	CHEST SIZE	BUOYANCY	CERTIFICATION	COVER FABRIC	CHAMBER FABRIC	ACTIVATOR	CO2 CYLINDER	HARNESS
02140/1	DAA	ADULT	43/140 kg	≤ 175 cm	170 N	SOLAS M.E.D.	PL 600D PU COATED	PA 420 PU COATED	2X UML-MK5	2X 33 g	NO
02141/1	DAAM	"	"	"	170 N	"	"	"	UML-MK5+MICROM.	2X 33 g	"
02142/1	SAA	"	"	"	160 N	"	"	"	UML-MK5	33 g	"
02140/HX/1	DAA	"	"	"	170 N	SOLAS M.E.D. ISO 12401	"	"	2X UML-MK5	2X 33 g	YES
02141/HX/1	DAAM	"	"	"	170 N	"	"	"	UML-MK5+MICROM.	2X 33 g	"
02142/HX/1	SAA	"	"	"	160 N	"	"	"	UML-MK5	33 g	"



Inflatable lifejacket. Double compartment floating chamber with case made in highly resistant fabric. Equipped with Buddy System. Available with Double Automatic Activator (DAA), Double Automatic and Manual Activator (DAAM), Single Automatic Activator (SAA). HX version with safety harness, certified according to ISO 12401.

ARTIC - 310

CODE	ACTIVATION	SIZE	WEIGHT	CHEST SIZE	BUOYANCY	CERTIFICATION	COVER FABRIC	CHAMBER FABRIC	ACTIVATOR	CO2 CYLINDER	HARNESS
02150/1	DAA	ADULT	43/140 kg	≤ 175 cm	310 N	SOLAS M.E.D.	PL 600D PU COATED	PA 420 PU COATED	2X UML-MK5	2X 60 g	NO
02151/1	DAAM	"	"	"	310 N	"	"	"	UML-MK5+MICROM.	2X 60 g	"
02152/1	SAA	"	"	"	290 N	"	"	"	UML-MK5	60 g	"
02150/HX/1	DAA	"	"	"	310 N	SOLAS M.E.D. ISO 12401	"	"	2X UML-MK5	2X 60 g	YES
02151/HX/1	DAAM	"	"	"	310 N	"	"	"	UML-MK5+MICROM.	2X 60 g	"
02152/HX/1	SAA	"	"	"	290 N	"	"	"	UML-MK5	60 g	"



Inflatable lifejacket for critical situations, tested to be worn on the immersion suit. Double compartment and asymmetric floating chamber. Equipped with Buddy System. Available with Double Automatic Activator (DAA), Double Automatic and Manual Activator (DAAM), Single Automatic Activator (SAA). HX version with safety harness, certified according to ISO 12401.

COMPACT SMART - 150

CODE	ACTIVATION	SIZE	WEIGHT	CHEST SIZE	BUOYANCY	CERTIFICATION	COVER FABRIC	CHAMBER FABRIC	ACTIVATOR	CO2 CYLINDER
02112/P/SMART	AUTOMATIC	ADULT	43/140 kg	≤ 175 cm	160 N	SOLAS M.E.D.	VACUUM SEALED PE BAG	PA 420 PU COATED	UML-MK5	33 g



Inflatable lifejacket. Double compartment floating chamber. Equipped with Buddy System. Vacuum package with tear strip opening.

MODULO C.P. 1530 - 160

CODE	ACTIVATION	SIZE	WEIGHT	CHEST SIZE	BUOYANCY	CERTIFICATION	COVER FABRIC	CHAMBER FABRIC	ACTIVATOR	CO2 CYLINDER
02142/CP1530	AUTOMATIC	ADULT	43/140 kg	≤ 175 cm	160 N	SOLAS M.E.D. ISO 12401 CAP. CP GC	PL 600D PU COATED	PA 420 PU COATED	HAMMAR-MA1/EC	33 g



Safety device designed according to technical specifications for Italian Coast Guard and Harbour Masters. Inflatable lifejacket with integrated safety harness, double compartment chamber. Two separate activation systems with overpressure valve. Equipped with: automatic light, Buddy System, crotch strap, floating knife, distress signals holders.

MODULO GDF - 310

CODE	ACTIVATION	SIZE	WEIGHT	CHEST SIZE	BUOYANCY	CERTIFICATION	COVER FABRIC	CHAMBER FABRIC	ACTIVATOR	CO2 CYLINDER
02130/GDF-A	AUTOMATIC	ADULT	43/140 kg	≤ 175 cm	310 N	SOLAS M.E.D. - CAP. GDF	CORDURA® 1000	PA 420 PU COATED	2X UML-MK5	2X 60 g
02130/GDF-M	MANUAL	"	"	"	"	"	"	"	2X UML-MICROMAN.	"



X3D SYSTEM

ACTIVATOR
AM
SYSTEM

60 g

SPIN

INCLINATION



Safety device designed for naval units of Italian Financial Guard. Inflatable lifejacket with double compartment chamber. Case made in high resistance fabric. Equipped with Buddy System. Available with Double Automatic Activator (DAA), Double Automatic and Manual Activator (DAAM), Single Automatic Activator (SAA).

SAL06/M.M.I

CODE	ACTIVATION	SIZE	WEIGHT	CHEST SIZE	BUOYANCY	CERTIFICATION	COVER FABRIC	CHAMBER FABRIC	ACTIVATOR	CO2 CYLINDER
04010	AUTO. - MAN.	ADULT	> 40 kg	80/125 cm	275 N	CAP. MMI - CP GC OTAN	NOMEX® III "	PA 420 PU COATED	UML-MK5+MICROM.	2x 30 g



Safety device designed according to technical specifications customized for Italian Navy. Lifejacket composed by two separate chambers, double activator: one automatic and one manual. Equipped with Buddy System. Accessories included: automatic light and Cyalume. Set to contain heliograph, fluorescein and floating knife. Case made in NOMEX® III.

SUB-A

CODE	ACTIVATION	SIZE	WEIGHT	CHEST SIZE	BUOYANCY	CERTIFICATION	COVER FABRIC	CHAMBER FABRIC	ACTIVATOR	CO2 CYLINDER
04011	MANUAL	ADULT	> 40 kg	80/125 cm	200 N	OTAN	NOMEX® III	PA 420 PU COATED	2X UML-MICROMANUAL	2X 24 g
04012	MANUAL	"	"	"	100 N	"	"	"	UML-MICROMANUAL	24 g



Personal safety device designed for special forces of Italian Navy. (04011) – Composed by 2 inflatable chambers with separate manual activation. (04012) – Composed by single inflatable chamber with automatic activation. Case in NOMEX® III.

M.O.L.L.E

CODE	ACTIVATION	SIZE	WEIGHT	CHEST SIZE	BUOYANCY	CERTIFICATION	COVER FABRIC	CHAMBER FABRIC	ACTIVATOR	CO2 CYLINDER
04013	AUTOMATIC	ADULT	> 40 kg	80/125 cm	275 N	OTAN	NOMEX® III	PA 420 PU coated	2X HAMMAR	2X 33 g
04013/MAN	MANUAL	"	"	"	"	"	"	"	2X UML-MICROMAN.	2X 33 g



Personal safety device designed for Special Forces of the Italian Army. Composed by 2 inflating chambers with separate activation. Available with automatic activator or exclusively manual activator. It can be integrated to a combat vest or stand alone. Case made in NOMEX® III.

SKIPPER 150 CROCE ROSSA

CODE	ACTIVATION	SIZE	WEIGHT	CHEST SIZE	BUOYANCY	CERTIFICATION	COVER FABRIC	CHAMBER FABRIC	ACTIVATOR	CO2 CYLINDER
09236/CRI	MANUAL	ADULT	> 40 kg	80/125 cm	150 N	ISO 12402-3; ISO 12401	PL 600D PU COATED	PA 420 PU coated	UML-MICROMANUAL	33 g



Personal safety device designed for Italian Red Cross Operators. Inflatable lifejacket. Safety harness certified according to ISO 12401, manual activation.

SKIPPER WK 150-310

CODE	ACTIVATION	SIZE	WEIGHT	CHEST SIZE	BUOYANCY	CERTIFICATION	COVER FABRIC	CHAMBER FABRIC	ACTIVATOR	CO2 CYLINDER
09235/WK	AUTOMATIC	ADULT	> 40 kg	80/125 cm	150 N	ISO 12402-3; ISO 12401	PVC DOUBLE COATED	PA 420 PU coated	UML - MK5	33 g
09236/WK	MANUAL	"	"	"	"	"	"	"	UML-MICROMANUAL	"
09275/WK	AUTOMATIC	"	"	"	310 N	ISO 12402-2; ISO 12401	"	"	UML - MK5	60 g
09276/WK	MANUAL	"	"	"	"	"	"	"	UML-MICROMANUAL	"



Specific product to safely work on board and for professional fishermen. Inflatable lifejacket available in 150 N or 275 N versions. Case made in high visibility and high resistant orange PVC. Equipped with harness certified according to ISO 12401 and frontal safety D-ring.

SKIPPER WK ANTIFIAMMA 150-310

CODE	ACTIVATION	SIZE	WEIGHT	CHEST SIZE	BUOYANCY	CERTIFICATION	COVER FABRIC	CHAMBER FABRIC	ACTIVATOR	CO2 CYLINDER
09235/AF	AUTOMATIC	ADULT	> 40 kg	80/125 cm	150 N	ISO 12402-3; ISO 12401	PARA ARAMID	PA 420 PU coated	UML - MK5	33 g
09236/ AF	MANUAL	"	"	"	"	"	"	"	UML-MICROMANUAL	"
09275/AF	AUTOMATIC	"	"	"	310 N	ISO 12402-2; ISO 12401	"	PA 420 PU coated	UML - MK5	60 g
09276/AF	MANUAL	"	"	"	"	"	"	"	UML-MICROMANUAL	"



Specific product to safely work on board. Inflatable lifejacket available in 150 N and 275 N versions. Case made in 100% PES foil anti-flame para-aramid aluminized fabric. Equipped with safety harness certified according to ISO 12401 and frontal safety D-ring.

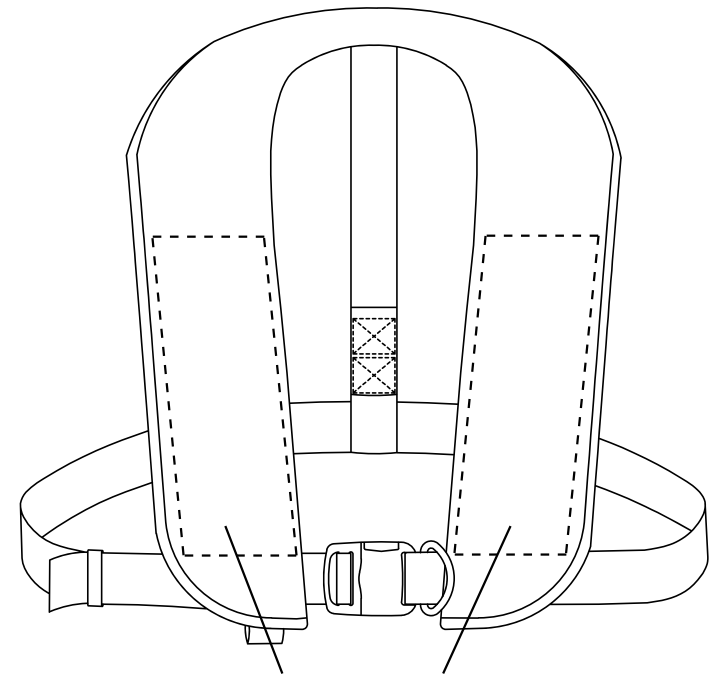
SPEED

CODE	ACTIVATION	SIZE	BUOYANCY	ACTIVATOR	CO2 CYLINDER
05000	MANUAL	ADULT	50 N	UML-MICROMANUAL	12 g



CUSTOMIZED LIFEJACKET

CODE	ACTIVATION	SIZE	WEIGHT	ACTIVATOR	CERTIFICATION	NOTE
09230/W	AUTOMATIC	ADULT	>40 kg	UML-MK5	ISO 12402-3	Outdoor
09231/W	MANUAL	"	"	UML-MICROMANUAL	"	"



Outdoor



Red



Blue



Designated areas for logos and text

Personal safety device for live-saving operators. Vest made in 3 mm customizable neoprene. 50 N inflatable chamber with manual activation. This device isn't a lifejacket, it doesn't protect from drowning.

Customize your lifejacket inserting in the designated areas a logo and/or a text to let it be unique. We can produce an inflatable lifejacket according to your preferences. For further details or information please directly contact us.

A photograph of two women on a sailboat deck. They are both wearing high-visibility yellow and black life jackets. The woman on the left is wearing sunglasses and holding a wooden board. The woman on the right is wearing white sunglasses and holding a black device. The background shows white sails with large blue letters and numbers.

INHERENT LIFEJACKETS

Full range of buoyancy aids for every type of use: competitive, sports, professional, military and specific for live-saving operators.

IMPACT

CODE	SIZE	WEIGHT	CHEST SIZE	BUOYANCY	CERTIFICATION
05350/JLS	JL/S	40/70 kg	86/100 cm	45 N	ISO 12402-5
05350/ML	M/L	70/80 kg	101/110 cm	50 N	"
05350/XXL	XL/XXL	>80 kg	111/124 cm	"	"



Buoyancy aid product of a close synergy between VSG technical staff and Groupama Team for America's Cup. The placement of 6 Foam PVC clusters and the external CR neoprene, ensure the truly comfortable ergonomic fit and the free movement on board during manoeuvring steps.

AQUATECK

CODE	SIZE	WEIGHT	CHEST SIZE	BUOYANCY	CERTIFICATION
05339	S	25/40 kg	65/80 cm	45 N	ISO 12402-5
05340	M	40/70 kg	80/100 cm	55 N	"
05341	L	70/80 kg	100/110 cm	65 N	"
05342	XL	>80 kg	110/125 cm	75 N	"



High technical product for competitions on canoe, catamarans, windsurfing and kitesurf. Belt with quick release buckle and zipper at the side for a rapid opening. Front and back pocket with zippers. Customizable on the back.

REEF

CODE	SIZE	WEIGHT	CHEST SIZE	BUOYANCY	CERTIFICATION
05379	S	25/40 kg	65/80 cm	40 N	ISO 12402-5
05380	M	40/70 kg	80/100 cm	55 N	"
05381	L	70/80 kg	100/110 cm	65 N	"
05382	XL	>80 kg	110/125 cm	75 N	"



Particularly suitable for catamarans, hobie cat, rafting and all more common sports uses. Adjustment system composed by 3 straps with quick release buckles.

JET PRO

CODE	SIZE	WEIGHT	CHEST SIZE	BUOYANCY	CERTIFICATION
05321	M	40/70 kg	80/100 cm	55 N	ISO 12402-5
05322	L	70/80 kg	100/110 cm	70 N	"
05323	XL	>80 kg	110/125 cm	80 N	"



Particularly suitable for active water sports such as water skiing and jet ski. Adjustment system composed by 4 adjustable straps with quick release buckles. Padded ergonomic back protection.

WIND

CODE	SIZE	WEIGHT	CHEST SIZE	BUOYANCY	CERTIFICATION
05313	S	25/40 kg	65/80 cm	40 N	ISO 12402-5
05314	M	40/70 kg	80/100 cm	55 N	"
05315	L	70/80 kg	100/110 cm	80 N	"



Expressly designed for a continuous use on canoes, kayaks and little sailing boats. Adjustment system composed by straps, quick release buckle and waist elastic band. Customizable on the back.



URBAN FLOATING JACKET

CODE	SIZE	BUOYANCY	COVER FABRIC
10100/S	S	40 N	RIP-STOP
10100/M	M	45 N	"
10100/L	L	50 N	"
10100/XL	XL	50 N	"
10100/XXL	XXL	55 N	"



Floating thermal jacket perfect for long navigations and for daily use. A light, comfortable and highly resistant jacket, equipped with hood, waterproof mobile case, whistle and bag in colour-coordinated. This device isn't a lifejacket and it doesn't protect from drowning.

TURTLE SHELL

CODE	SIZE	CHEST SIZE	NECK SIZE	BACK SIZE
11043/1/S	S	95/100 cm	45/55 cm	55 cm
11043/1/M	M	100/115 cm	65/75 cm	70 cm



Lifejacket designed thanks to the cooperation with the best Life-Saving Canine Units. Equipped with adjustable protected straps, steel rescue ring, three operational service handles. Inner made in floating and soft PVC. External case made in high-visibility PL 300. Available in 2 sizes.

FLOATING HARNESS

CODE
11044/UNI



Imbrago leggero galleggiante per Unità Cinofile di Salvamento. Taglia unica.

Light floating harness for Life-Saving Canine Units. One-size fits all.

OSCAR

CODE	SIZE	CHEST SIZE
11040	S	<10 kg
11041	M	10-20 kg
11042	L	>20 kg



Buoyancy aids designed for the tranquility on board of our four-legged friends, to let them safely sail. Available in three sizes.

NADIR

CODE	SIZE	WEIGHT	CHEST SIZE	BUOYANCY	CERTIFICATION
06220	ADULT	>40 kg	80/125 cm	100 N	ISO 12402-4
06221	CHILD	15/40 kg	60/80 cm	50 N	"



Borsa per 4 NADIR
CODE: 11109
Bag for 4 NADIR
CODE: 11109

Borsa per 4 NADIR
CODE: 11104
Borsa per 6 NADIR
CODE: 11113
Bag for 4 NADIR
CODE: 11104
Bag for 6 NADIR
CODE: 11113



SAMOA

CODE	SIZE	WEIGHT	CHEST SIZE	BUOYANCY	CERTIFICATION
08205	ADULT	>40 kg	80/125 cm	150 N	ISO 12402-3
08206	CHILD	15/40 kg	60/80 cm	75 N	"



Borsa per 4 SAMOA
CODE: 11113
Bag for 4 SAMOA
CODE: 11113



The folding neck reduce by 25% the stowage dimension. Baby size is equipped with rescue tape.

The folding neck reduce by 25% the stowage dimension. Baby size is equipped with rescue tape.

ANTILLE

CODE	SIZE	WEIGHT	CHEST SIZE	BUOYANCY	CERTIFICATION
06210/1	XXXS	4/15 kg	50/60 cm	>40 N	ISO 12402-4
06211/1	XXS	15/30 kg	60/70 cm	>45 N	"
06212/1	XS	30/40 kg	70/80 cm	>50 N	"
06213/1	S	40/50 kg	80/90 cm	>60 N	"
06214/1	M	50/70 kg	90/100 cm	>80 N	"
06215/1	L	70/80 kg	100/110 cm	>100 N	"
06216/1	XL	80/90 kg	110/120 cm	>110 N	"
06217/1	XXL	>90 kg	120/130 cm	>120 N	"



SPEED-UP



CE
ISO 12402-4

Lifejacket with modular neck highly protecting the head. VSG SPEED-UP dedicated system for a fast spin. XXXS and XXS sizes equipped with padded crotch strap.

ANTILLE CRABS

CODE	SIZE	WEIGHT	CHEST SIZE	BUOYANCY	CERTIFICATION
06210/1/CRABS	XXXS	4/15 kg	50/60 cm	>40 N	ISO 12402-4
06211/1/CRABS	XXS	15/30 kg	60/70 cm	>45 N	"
06212/1/CRABS	XS	30/40 kg	70/80 cm	>50 N	"



SPEED-UP



CE
ISO 12402-4

Lifejacket with ergonomic design specially engineered for babies. Modular neck highly protecting the head. XXXS and XXS sizes equipped with padded crotch strap. VSG SPEED-UP dedicated system for a fast spin.

MARTINICA

CODE	SIZE	WEIGHT	CHEST SIZE	BUOYANCY	CERTIFICATION
08211/1	XXS	15/30 kg	60/70 cm	>60 N	ISO 12402-3
08212/1	XS	30/40 kg	70/80 cm	>75 N	"
08213/1	S	40/50 kg	80/90 cm	>90 N	"
08214/1	M	50/70 kg	90/100 cm	>130 N	"
08215/1	L	70/80 kg	100/110 cm	>150 N	"
08216/1	XL	80/90 kg	110/120 cm	>160 N	"
08217/1	XXL	>90 kg	120/130 cm	>165 N	"



SPEED-UP



CE
ISO 12402-3

Lifejacket with modular neck highly protecting the head. VSG SPEED-UP dedicated system for a fast spin. XXXS and XXS sizes equipped with padded crotch strap.

BABYSAFE

CODE	SIZE	WEIGHT	CHEST SIZE	BUOYANCY	CERTIFICATION
08250/MED	INFANT	<15 kg	50/60 cm	>70 N	SOLAS M.E.D.; ISO 12402-3



CE
ISO 12402-3

Lifejacket for infants. The distribution of floating masses is designed to ensure to infants and babies weighing less than 15 kg an optimal position in water. Wearing and adjustment system through webbings and abdominal strap with velcro.

M-CUBE

CODE	SIZE	WEIGHT	CHEST SIZE	BUOYANCY	CLOSED DIMENSION	OPEN DIMENSION	CERTIFICATION	NOTE
02020	ADULT	40/140 kg	≤ 175 cm	>140 N	20x25x32 cm	32x60x10 cm	SOLAS M.E.D.	Orange
02020/GI	ADULT	40/140 kg	≤ 175 cm	"	"	"	"	Yellow



The smallest SOLAS lifejacket in the world: only 0,016 cbm and a really compact design, the first real foldable lifejacket. Stowage dimensions are reduced by 50% in comparison with a traditional yoke vest lifejacket.



MK10

CODE	SIZE	WEIGHT	CHEST SIZE	BUOYANCY	CERTIFICATION	NOTE
02005	ADULT	43/140 kg	80/175 cm	>150 N	SOLAS M.E.D.	Orange
02006	CHILD	15/43 kg	60/80 cm	>90 N	"	"
02007	INFANT	<15 kg	50/60 cm	>65 N	"	"
02005/GI	ADULT	43/140 kg	80/175 cm	>150 N	"	Yellow



Yoke vest lifejacket with foldable neck to reduce stowage dimensions. Double transparent pocket for badge, muster station, ship's name, cabin.

MK10 USCG SOLAS

CODE	SIZE	WEIGHT	CHEST SIZE	BUOYANCY	CERTIFICATION
02050	ADULT	43/140 kg	80/175 cm	177 N	USCG
02051	CHILD	15/43 kg	60/80 cm	108 N	"
02052	INFANT	<15 kg	50/60 cm	76 N	"



USCG

Yoke vest lifejacket, foldable to reduce the stowage dimensions. Device certified according to SOLAS USCG.

REEF PC

CODE	SIZE	WEIGHT	CHEST SIZE	BUOYANCY	CERTIFICATION
05380/PC	M	40/70 kg	80/100 cm	55 N	ISO 12402-5
05381/PC	L	70/80 kg	100/110 cm	65 N	"
05382/PC	XL	>80 kg	110/125 cm	75 N	"



Buoyancy aid for rescue made in 600 D polyester fabric, equipped with pocket for VHF radio and back pocket for rescue rope. Available in three different sizes. Accessories holder pockets.

POSEIDON

CODE	SIZE	WEIGHT	CHEST SIZE	BUOYANCY	CERTIFICATION
02010/HX	ADULT	43/140 kg	≤ 175 cm	>150 N	SOLAS M.E.D. ISO 12401



SPEED-UP



CE
ISO 12401

Jacket vest lifejacket. Suitable for professional users and crews. Equipped with safety harness certified according to ISO 12401.

WK50

CODE	SIZE	WEIGHT	CHEST SIZE	BUOYANCY	CERTIFICATION
05300	ADULT	>70 kg	100/175 cm	>65 N	ISO 12402-5; ISO 12401



CE
ISO 12402-5
ISO 12401

Lifejacket for professional use. Highly resistant materials, designed for the best fit and ergonomics for a continuous use. Equipped with safety harness certified according to ISO 12401.

GAP - GALLEGGIANTE SEMIRIGIDO
BULLETPROOF INHERENT LIFEJACKET

CODE	SIZE	FOAM BUOYANCY
------	------	---------------

04052	ADULT	150 N
-------	-------	-------



Bulletproof lifejacket with buoyancy supplied by closed cells soft foam. Predisposition for additional ballistic plates.

GAP - GALLEGGIANTE GONFIABILE
BULLETPROOF INFLATABLE LIFEJACKET

CODE	SIZE	CHAMBER BUOYANCY
------	------	------------------

04054	ADULT	150 N
04055	ADULT	275 N



Bulletproof lifejacket with buoyancy supplied by an integrated inflating lifejacket. Predisposition for additional ballistic plates. The inflatable device can be used jointly with ballistic protection or in stand-alone mode.



ACCESSORIES AND SPARE PARTS

Original VSG accessories and spare parts ensure to all safety devices the highest quality and reliability across time.

SERVICE STATION

CODE

41000



Portable kit to make the periodical service of inflatable lifejackets. Made to ensure correct measurements. Dedicated just to VSG Authorized Service Stations. The kit includes : analog manometer, precision digital tool, connection pipe, IN-OUT connectors with preset. Black case made in PP MD10. Dimensions 48x22x42 cm. Weight 9 kgs.

DIGITAL MANOMETER + COVER

CODE

NOTE

41001

Manometer

41002

Cover



Precision digital manometer, DIGITRON 2028 P model range 0-1000 mbar. Connectors kit. Accessory: rubber protective shell.

CONNECTION PIPE + CONNECTOR

CODE

41004



Connection pipe equipped with connector and non-return valve.

HR REARMING KIT

CODE	SIZE
26124	24 g
26133	33 g
26138	38 g
26160	60 g



UML REARMING KIT

CODE	SIZE
26224	24 g
26233	33 g
26238	38 g
26260	60 g



Halkey Roberts rearming kit - V9000 model.
 Composed by:
 1 Bobbin
 1 Green indicator clip
 1 CO2 gas cylinder

UML rearming kit - MK5 model.
 Composed by:
 1 Bobbin
 1 Green indicator clip
 1 CO2 gas cylinder

HAMMAR REARMING KIT

CODE	SIZE
26324	24 g
26333	33 g
26338	38 g
26360	60 g



Hammar rearming kit MA1/EC model.
 Composed by:
 1 Hammar body+ 1 glued CO2 gas cylinder
 1 Hammar cap - MA1/EC model.

UML REARMING KIT

CODE	SIZE
26224/PRO	24 g
26233/PRO	33 g
26238/PRO	38 g
26260/PRO	60 g



CO2 GAS CYLINDER

CODE	SIZE	THREAD
26012	12 g	1/2"
26024	24 g	"
26030	30 g	"
26033	33 g	"
26038	38 g	"
26060	60 g	"



CO2 gas cylinders for rearming kit. Available in 12, 24, 30, 33, 38, 60 grams.

UML rearming kit – Prosensor Elite model.
Composed by:
1 bobbin
1 CO2 gas cylinder



HR BOBBIN

CODE

25002



Bobbin for Halkey Roberts automatic inflator V90000 model.

UML BOBBIN

CODE

25005



Bobbin for UML automatic inflator MK5 model.

UML BOBBIN

CODE

25005/PROSENSORELITE



Bobbin for UML automatic inflator Pro Sensor Elite model.

ADAPTER FOR UML

CODE

25007

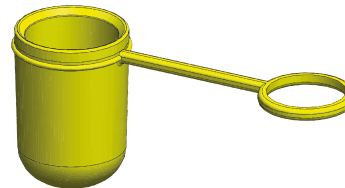


Adapter to let be exclusively manual the MK5 automatic inflator.

ADAPTER FOR HR

CODE

25008



Adapter to let be exclusively manual the Halkey Roberts V90000 automatic inflator.

ASSEMBLY CAP FOR HR

CODE

25004



Assembly cap for Halkey Roberts V90000 automatic inflator.

GREEN INDICATOR CLIP FOR HR

CODE
25003/HR/NEW



For Halkey Roberts automatic inflator V90000 model.

GREEN INDICATOR CLIP FOR UML

CODE
25003/MK5



For UML automatic inflator - MK5 model.

GREEN INDICATOR CLIP FOR UML

CODE
25003/UML2



For manual UML inflator - Micro Manual model.

GREEN INDICATOR CLIP FOR HR

CODE
25003/HR/OLD



For Halkey Roberts manual inflator 840 AM model.

GREEN INDICATOR CLIP FOR UML

CODE
25003/UML1



For manual UML inflator - Mini Manual model.

HYDROSTATIC RELEASE UNIT

CODE	CERTIFICATION
18001	SOLAS M.E.D.



Hydrostatic release unit for liferafts.
Hammar H-20 model.

SPRAY HOOD

CODE

09145/SK



Designed to be integrated to our lifejacket SKIPPER 150 model.

CROTCH STRAP KIT

CODE

09146



Accessory usable on all our models of lifejackets.

ANTIFLAME COVER

CODE

09240/AF/MODULO



Designed to be used on all our models of MODULO lifejackets.

SPRAY HOOD

CODE

09145/AR/GI



Designed to be integrated to all our lifejackets MODULO and SPINNAKER models.

ECO CROTCH STRAP KIT

CODE

09148



Accessory usable on all our models of lifejackets.

FLOATING KNIFE

CODE

MP1500



Floating knife with handle made in resin and serrated blade made in stainless steel 18,5x7 cm.

BOSUN'S CHAIR

CODE
11050



Essential accessory for all activities on masthead. Made in resistant and reinforced PVC fabric. Adjustable safety webbings and hooks tested up to kg 300. Tool holder pocket. Foldable to get the minimum volume on board.

SAFETY HARNESS

CODE	SIZE	WEIGHT	CERTIFICATION
11172	ADULT	>50 kg	ISO 12401
11171	CHILD	20/50 kg	"



Safety harness certified according to ISO 12401. Made with tested, high- resistance and adjustable webbings, buckle and D-ring made in AISI 316 steel and reinforced seams.



ELASTIC 2 ALUMINIUM HOOKS

CODE	CERTIFICATION
11177	ISO 12401



Lenght: 2 mt
Material: Aluminium

2 ALUMINIUM HOOKS

CODE	CERTIFICATION
11174	ISO 12401



Lenght: 2 mt
Material: Aluminium

3 ALUMINIUM HOOKS

CODE	CERTIFICATION
11175	ISO 12401



Lenght: 1,4/2 mt
Material: Aluminium

ELASTIC 2 STAINLESS STEEL HOOKS

CODE	CERTIFICATION
11176	ISO 12401



Lenght: 2 mt
Material: Stainless Steel

2 STAINLESS STEEL HOOKS

CODE	CERTIFICATION
11173	ISO 12401



Lenght: 2 mt
Material: Stainless Steel

1 STAINLESS STEEL HOOK + LOOP

CODE	CERTIFICATION
11178	ISO 12401



Lenght: 2 mt
Material: Stainless Steel

HELMET

CODE	SIZE	CERTIFICATION	NOTE
05400/GF	S/M/L	EN 1385:2012	Yellow
05400/N	S/M/L	"	Black
05401	UNI	"	Earmuffs



Accessori a richiesta

Optional accessories



Accessori a richiesta

Optional accessories




Helmet certified for water sports. Available in two colours, fluo yellow and matt black, in three sizes. Adjustable system designed for a proper wearing. Available ear pads as accessory on demand.

WATERTIGHT BAG

CODE	SIZE
10493	25 lt



Watertight nautical bag made in nautical high resistance PVC. Capacity 25 lt. Unique colour: Matt Black with silver logos. Reinforced handle and diagonal shoulder strap for easy wearing with hands-free.



SAFETY EQUIPMENT

VSG safety equipment, designed and produced for a professional intensive use, guarantees the best performance as personal safety device.

NEOPRENE IMMERSION SUIT

CODE	CERTIFICATION
03005	SOLAS M.E.D.



High thermal protection and floatability. 5 mm neoprene with good elasticity for a proper wearing. Three fingers gloves, waist belt with D-ring, whistle, emergency light and lubricant for zipper. Available in 4 sizes: S/M/L/XL.

THERMAL PROTECTION SUIT

CODE	CERTIFICATION
03007	SOLAS M.E.D.



Made in multi-layer polyester oxford/PU with high thermal protection. The unique size with integrated adjustment system allows to perfectly adapt the fit to each build. Extended zipper for an easy and fast wearing.

THERMAL PROTECTION AID

CODE	CERTIFICATION
03001	SOLAS M.E.D.



Thermal protection aid for lifeboats and inflatable liferafts. Made in high-tech and high protective efficacy fabric. One-size fits all.

JACK A1

CODE	CERTIFICATION
03017/A1	SOLAS M.E.D.



Alcares lifejacket light. Alkaline battery and clip included. SOLAS M.E.D. and USCG APPROVED.

SEAFLASH

CODE	CERTIFICATION
MP1498	SOLAS M.E.D.



UML lifejacket light. Lithium battery and clip included. Solas M.E.D. and USCG APPROVED.

DAN-W4

CODE	CERTIFICATION
03014	SOLAS M.E.D.



Daniamant lifejacket light. Alkaline battery and clip included. SOLAS M.E.D. and USCG APPROVED.

ALX

CODE	CERTIFICATION
03015	SOLAS M.E.D.



Electric Fuel lifejacket light. Alkaline battery and clip included. SOLAS M.E.D. and USCG APPROVED.

SEAFLASH SUPPORT FOR ORAL TUBE

CODE
MP1499



To assemble the Seaflash light on oral tube.

RECESSED HOUSING FOR DAN-W4

CODE
03014/HOUSING



Recessed housing for DAN-W4 light.

LIFEBUOY LIGHT

CODE	CERTIFICATION
14010/LED	SOLAS M.E.D.



Light for SOLAS M.E.D. lifebuoy.
No batteries included.

LIFEBUOY LIGHT

CODE	CERTIFICATION
14013	SOLAS M.E.D.



Light for SOLAS M.E.D. lifebuoy.
Alkaline batteries included.

LIFEBUOY LIGHT

CODE	CERTIFICATION
14012	SOLAS M.E.D.



Light for SOLAS M.E.D. lifebuoy.
No batteries included.

WHISTLE

CODE	CERTIFICATION
25180	ISO 12402-8



VIRGO LIFEBOUY

CODE	WEIGHT	DIMENSION
12010	>2,5 kg	Ø Ext 62,5 Int 40,5



Approved lifebuoy: SOLAS 74 - LSA Code - IMO Res. - MSC 81(70) - MSC 226 (82) - D.M. no°385.

ALTURA LIFEBOUY

CODE	WEIGHT	DIMENSION
12000	>2,5 kg	Ø Ext 72 Int 43,5
12005	>4 kg	"



Approved lifebuoy: SOLAS 74 - LSA Code - IMO Res. - MSC 81(70) - MSC 226 (82) - D.M. no°385.

AGADIS

CODE	CAPACITY	RR TAPE	DIM.
12030	4 People	Yes	93x93x25 cm
12031	"	No	"
12032	8 People	Yes	"
12033	"	No	"
12034	12 People	Yes	100x100x30 cm
12035	"	No	"



Floating life-saving device. In compliance with D.M. 2/12/77. Drop height: 18 mt. Available in size for 4,8 and 12 people. All available with or without retroreflective tapes.

BODYGUARD

CODE	NOTE
13010	Orange
13010/G	Yellow



Certified for pleasure craft DM 385 - 28/09/90

BAYWATCH

CODE
12020



Made in PVC and Polyurethane with rope and loop.

SAFETY EQUIPMENT BAG VIRGO

CODE

11200/BL



Lifebuoy case with integrated bag for accessories with zipper. Blue navy colour.

BRACKET FOR ALTURA

CODE

14003



Stainless steel bracket for Altura lifebuoy. AISI 304.

FLOATING ROPE

CODE

14000



Orange floating rope. Length 30 m.

FABRIC CASE FOR VIRGO

CODE CODE

14022 White

14023 Blue



Fabric case for Virgo lifebuoy. Equipped with attachment webbings on the back.

UNIVERSAL BRACKET FOR LIFEBOUY

CODE

14007



Universal stainless steel bracket for lifebuoys. AISI 304.

BAG WITH RESCUE ROPE

CODE

14002



Net inserts and cyalume holder pocket.

BUOYANT SMOKE SIGNAL

CODE	CERTIFICATION
03100	SOLAS M.E.D.



RED HANDHELD FLARE

CODE	CERTIFICATION
03101	SOLAS M.E.D.



RED PARACHUTE ROCKET

CODE	CERTIFICATION
03102	SOLAS M.E.D.



DISTRESS SIGNALS KIT

CODE	RANGE	CODE	RANGE	CODE	RANGE	CODE	RANGE
03104	3 Miles limit	03105	12 Miles limit	03106	50 Miles limit	03107	No limits

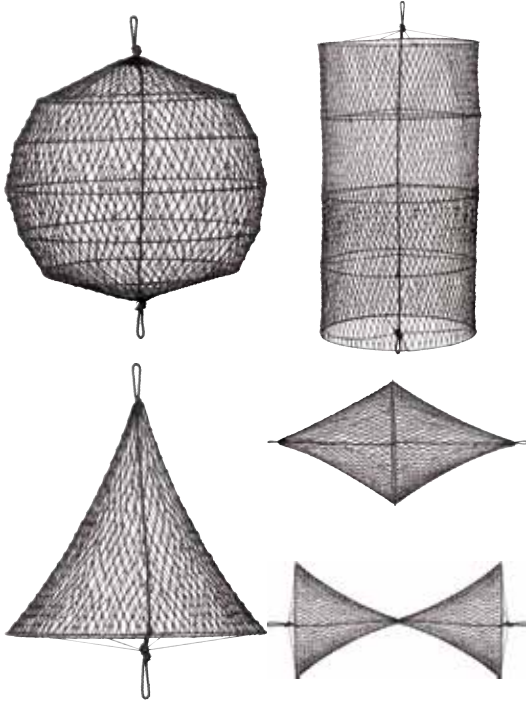


FISHING SIGNALS KIT

CODE	RANGE
03110	6 Miles limit
03111	20 Miles limit
03112	Over 20 Miles

DAYLIGHT SIGNALS

CODE	DIMENSION	SHAPE
03090/RETE	L 62 cm H 62 cm	Cone
03091/RETE	L 60 cm H 120 cm	Bicone
03092/RETE	Ø 62 cm	Ball
03093/RETE	L 60 cm H 120 cm	Cylinder
03094/RETE	L 60 cm H 120 cm	Diamond



Daylight signals made in net, compact, foldable, in black colour, diameter >60 cm. Available geometric shapes: cylinder, ball, cone, bicone, diamond. In accordance with COLREG 72/81 rules.

MANOVERBOARD

CODE
03140



Smoke+ Light.
Complete with support.

LINE THROWER

CODE	NOTE
03142	Line Thrower
03143	Rocket spare part



Single line thrower.
Charging rocket (spare part).

FLOATING ANCHOR

CODE	SIZE	BOAT DIM.
25130	Ø 60 cm	BD 3,5 mt
25131	Ø 70 cm	BD 5,0 mt
25132	Ø 80 cm	BD 6,0 mt
25133	Ø 100 cm	BD 7,0 mt
25134	Ø 150 cm	BD 8,0 mt



For pleasure craft. In polyamide fabric with PU coating. No cables included.

FLOATING ANCHOR WITH CABLES

CODE	SIZE
03050	Ø 56 cm
03051	Ø 70 cm
03052	Ø 80 cm



For lifecrafts. Double coated PVC fabric. Approved according to RINA rules. Cables included.



RIGID CASE CHART A

CODE

MP412/AV



Nautical medicine chest in compliance with D.M. 1/10/2015

RIGID CASE CHART D

CODE

MP412/DV



Nautical medicine chest in compliance with D.M. 1/10/2015

SOFT BAG CHART A-D

CODE	NOTE
------	------

MP412/AS Tab A

MP412/DS Tab D



Nautical medicine bag in compliance with D.M. 1/10/2015

PULSE OXIMETRY

CODE

MP1568

