

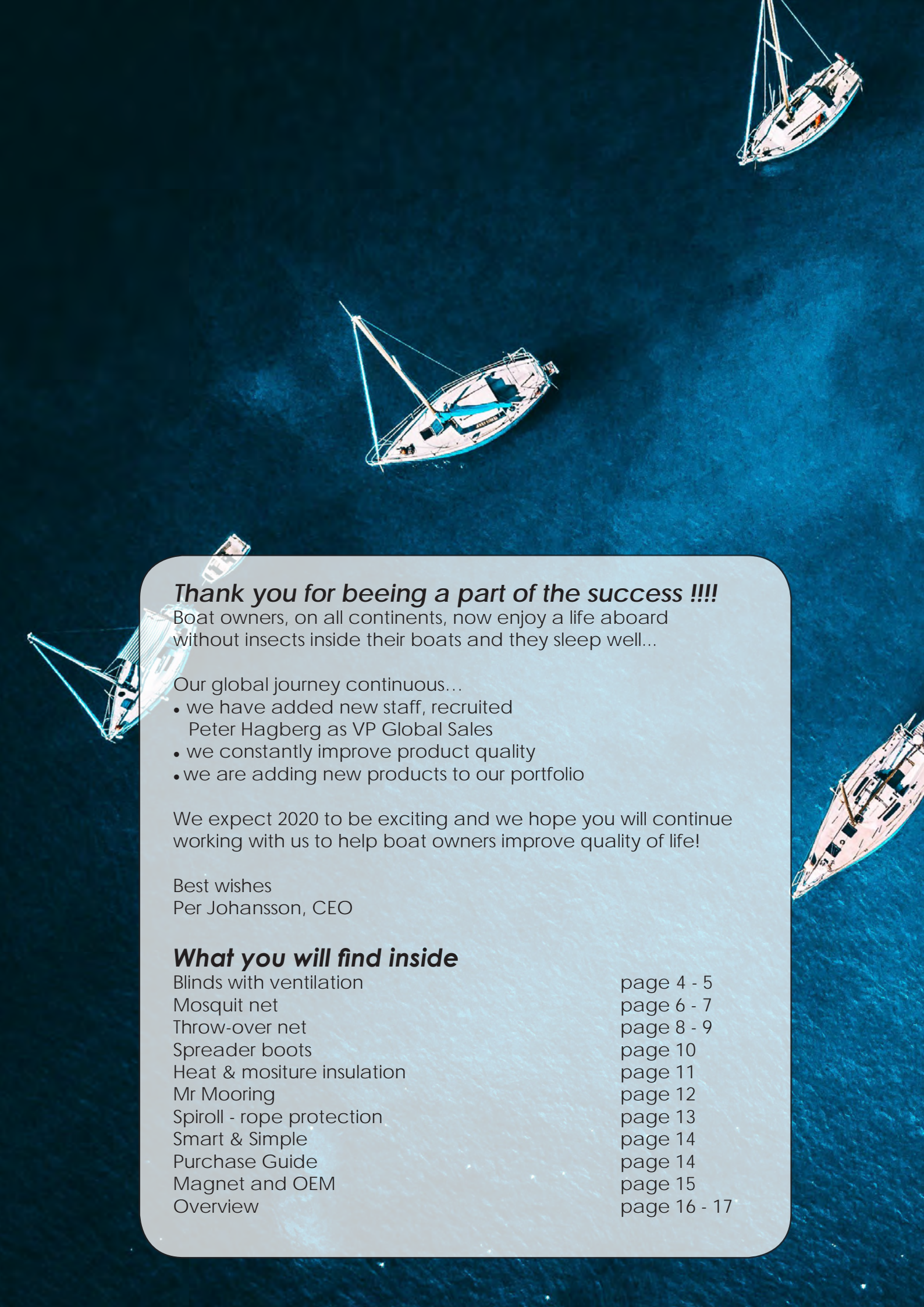
# WATERLINE DESIGN

*Smart & simple boat equipment*

# 2020







## ***Thank you for being a part of the success !!!!***

Boat owners, on all continents, now enjoy a life aboard without insects inside their boats and they sleep well...

Our global journey continuous...

- we have added new staff, recruited Peter Hagberg as VP Global Sales
- we constantly improve product quality
- we are adding new products to our portfolio

We expect 2020 to be exciting and we hope you will continue working with us to help boat owners improve quality of life!

Best wishes  
Per Johansson, CEO

### ***What you will find inside***

Blinds with ventilation	page 4 - 5
Mosquit net	page 6 - 7
Throw-over net	page 8 - 9
Spreader boots	page 10
Heat & moisture insulation	page 11
Mr Mooring	page 12
Spiroll - rope protection	page 13
Smart & Simple	page 14
Purchase Guide	page 14
Magnet and OEM	page 15
Overview	page 16 - 17







## BLINDS FOR HATCHES



ART NR  
**1305**  
350x350 MM  
14" x 14"

### HATCHES – SMALL

- Cut out < 300 x 300 mm (12" x 12")
- 350 x 350 mm (14" x 14")
- White / silver, chromed steel frame
- #1305
- Delivery box 12 pcs



ART NR  
**1310**  
600x600 MM  
24" x 24"

### HATCHES – REGULAR

- Cut out < 520 x 520 mm (20" x 20")
- 600 x 600 mm (24" x 24")
- White / silver, chromed steel frame
- #1310
- Delivery box 12 pcs



ART NR  
**1315**  
800x800 MM  
31" x 31"

### HATCHES – LARGE

- Cut out < 720 x 720 mm (28" x 28")
- 800 x 800 mm (31" x 31")
- White / silver, chromed steel frame
- #1315
- Delivery box 12 pcs



ART NR  
**1320**  
600x600 MM  
24" x 24"

### HATCHES WITH VENT – REGULAR

- Cut out < 520 x 520 mm (20" x 20")
- 600 x 600 mm (24" x 24")
- White / silver, chromed steel frame
- #1320
- Delivery box 12 pcs

## PORTLIGHTS



ART NR  
**1330**  
230x490 MM  
10" x 19"

### PORTLIGHTS – SMALL

- CUT OUT < 180 x 430 mm (7" x 17")
- 230 x 490 mm (10" x 19")
- White / silver, chromed steel frame
- #1330 (2-pack)
- Delivery box 12 pcs



ART NR  
**1335**  
300x700 MM  
12" x 27"

### PORTLIGHTS – LARGE

- CUT OUT < 200 x 650 mm (7¾" x 25½")
- 300 x 700 mm (12" x 27")
- White / silver, chromed steel frame
- #1335
- Delivery box 10 pcs

## COMPANIONWAY



### COMPANIONWAY

- OPENING < 850 x 1750 mm (33" x 69")
- 900 x 1800 mm (35" x 71")
- Black / silver, black edge band
- #1360
- Delivery box 6 pcs



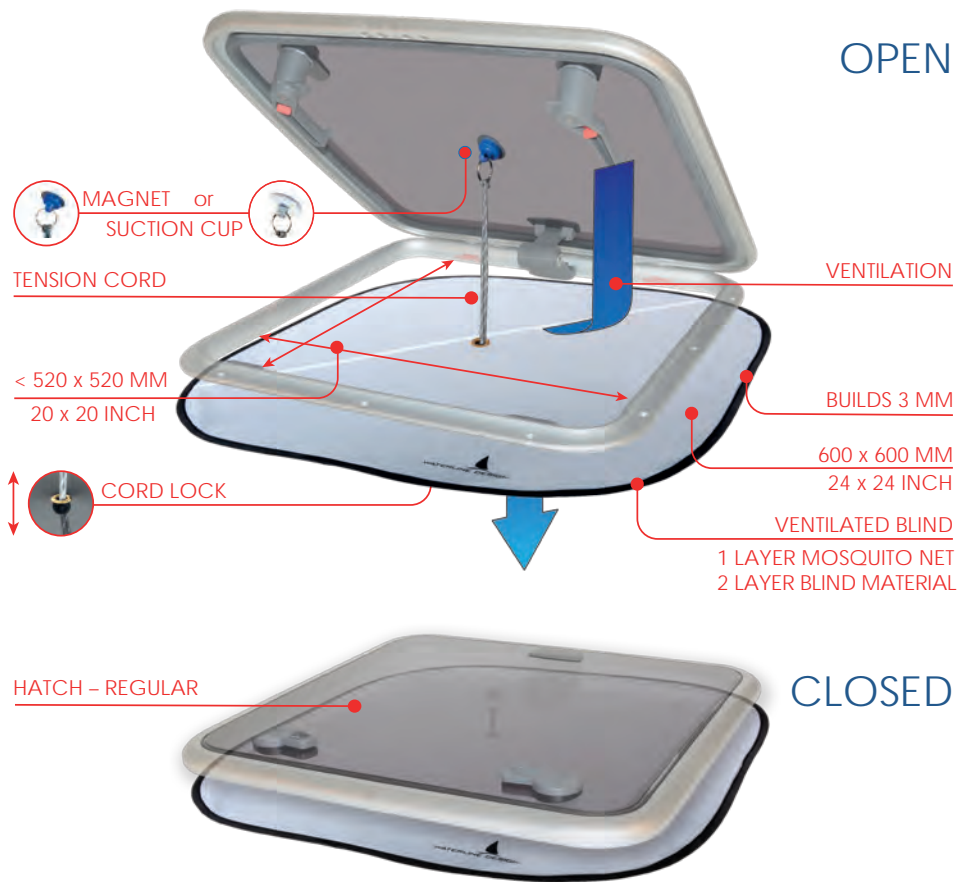
Art nr	Size	For hatch (cut out)
1305 Hatches – small	350 x 350 mm (14" x 14")	< 300 x 300 mm (12" x 12")
1310 Hatches – regular	600 x 600 mm (24" x 24")	< 520 x 520 mm (20" x 20")
1315 Hatches – large	800 x 800 mm (31" x 31")	< 720 x 720 mm (28" x 28")
1320 Hatches with vent – regular	600 x 600 mm (24" x 24")	< 520 x 520 mm (20" x 20")
1330 Portlights – small (2-pack)	230 x 490 mm (10" x 19")	< 180 x 430 mm (7" x 17")
1335 Portlights – large	300 x 700 mm (12" x 27")	< 200 x 650 mm (7¾" x 25½")
1360 Companionway	900 x 1800 mm (35" x 71")	< 850 x 1750 mm (33" x 69")

# BLINDS WITH VENTILATION

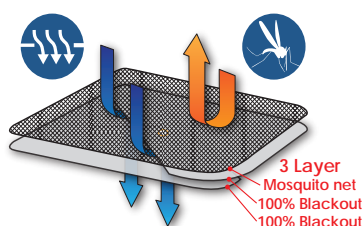
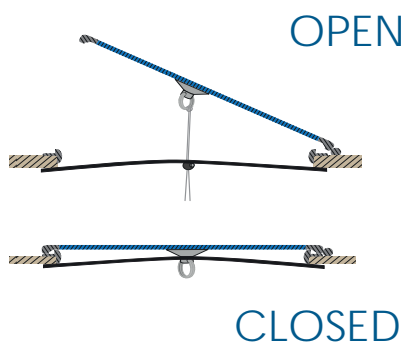
*For a dark, ventilated and mosquito free indoor environment*

The combination of a two layer blackout material and a one layer dense mosquito net, results in a breathable and dark interior for the best sleep. The blinds mount with a suction cup or a magnet from the inside. The 1300 series covers hatches, portlights and companionways. Since the blinds are larger than the hatch it will fit smaller hatches / portlights as well and also fits all brands. All mosquito nets come with suction cup, magnet and a storage bag.

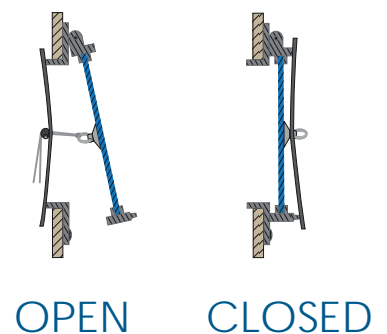
- Pop-up = 5 sec. mounting
- Fits all brands of hatches
- No fixed installation
- 100% Blackout
- Mounts from the inside
- Keeps out mosquitoes, gnats, sand flies, No-See-Ums, wasps etc.



## BLINDS ON HATCHES



## BLINDS ON PORTLIGHTS



## MOSQUITO NET FOR HATCHES



ART NR  
**1405**  
350x350 MM  
14" x 14"

### HATCHES – SMALL

- Cut out < 300 x 300 mm (12" x 12")
- 350 x 350 mm (14" x 14")
- Black polyester net, chromed steel frame
- #1405
- Delivery box 12 pcs



ART NR  
**1410**  
600x600 MM  
24" x 24"

### HATCHES – REGULAR

- Cut out < 520 x 520 mm (20" x 20")
- 600 x 600 mm (24" x 24")
- Black polyester net, chromed steel frame
- #1410
- Delivery box 12 pcs



ART NR  
**1415**  
800x800 MM  
31" x 31"

### HATCHES – LARGE

- Cut out < 720 x 720 mm (28" x 28")
- 800 x 800 mm (31" x 31")
- Black polyester net, chromed steel frame
- #1415
- Delivery box 12 pcs

## PORTLIGHTS



ART NR  
**1430**  
230x490 MM  
10" x 19"

### PORTLIGHTS – SMALL

- Cut out < 180 x 430 mm (7" x 17")
- 230 x 490 mm (10" x 19")
- Black polyester net, chromed steel frame
- #1430 (2-pack)
- Delivery box 12 pcs



ART NR  
**1435**  
300x700 MM  
12" x 27"

### PORTLIGHTS – LARGE

- Cut out < 200 x 650 mm (7¾" x 25½")
- 300 x 700 mm (12" x 27")
- Black polyester net, chromed steel frame
- #1435
- Delivery box 10 pcs

## COMPANIONWAY



ART NR  
**1460**  
900x1800 MM  
35" x 71"

### COMPANIONWAY

- Opening < 850 x 1750 mm (33" x 69")
- 900 x 1800 mm (35" x 71")
- Black polyester net, lead weight band
- #1460
- Delivery box 12 pcs



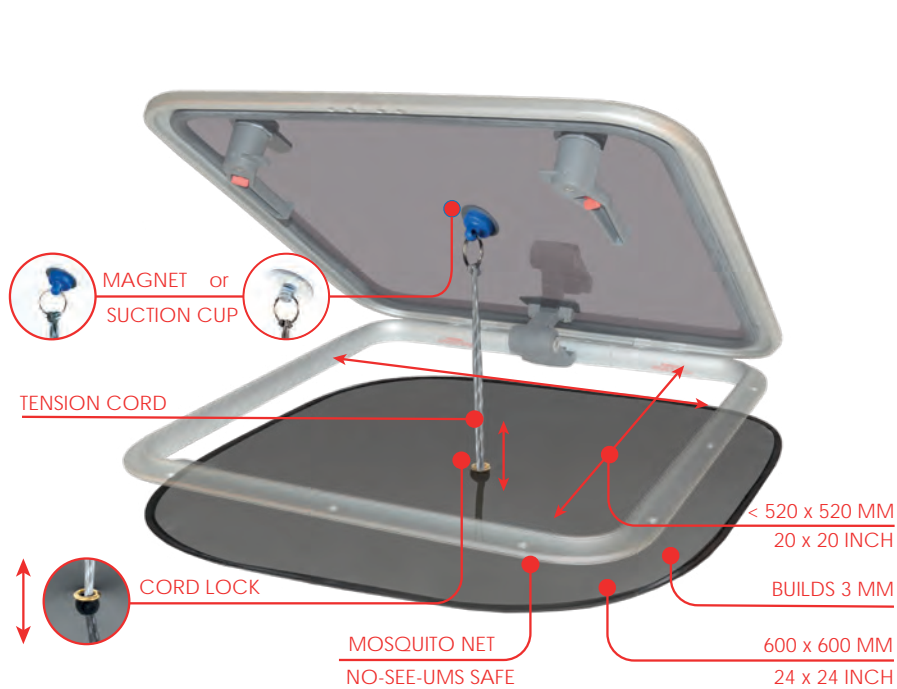
Art nr	Size	Fits hatch (cut out)
1405 Hatches – small	350 x 350 mm (14" x 14")	< 300 x 300 mm (12" x 12")
1410 Hatches – regular	600 x 600 mm (24" x 24")	< 520 x 520 mm (20" x 20")
1415 Hatches – large	800 x 800 mm (31" x 31")	< 720 x 720 mm (28" x 28")
1430 Portlights – small (2-pack)	230 x 490 mm (10" x 19")	< 180 x 430 mm (7" x 17")
1435 Portlights – large	300 x 700 mm (12" x 27")	< 200 x 650 mm (7¾" x 25½")
1460 Companionway	900 x 1800 mm (35" x 71")	< 850 x 1750 mm (33" x 69")



# MOSQUITO NET

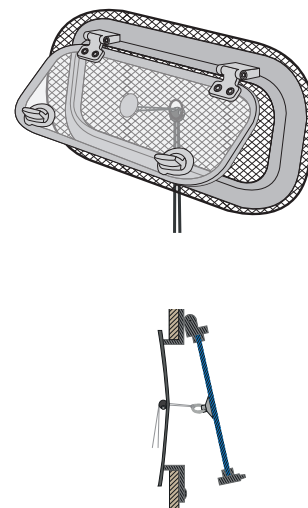
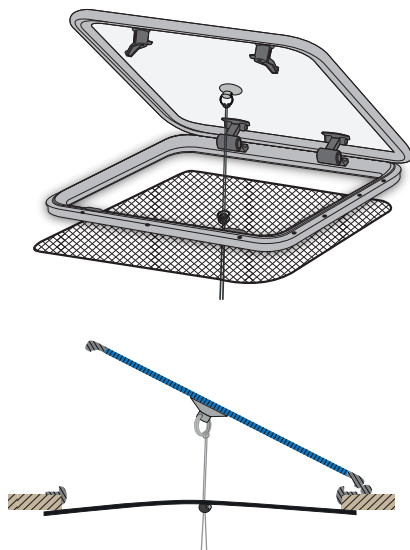
A universal sized mosquito net that fits all brands of hatches and portlights. Mounts from the inside with a suction cup or magnet. The mosquito net should be larger than the "cut out" size to cover the hatch opening. It will also fit different shapes: rectangular, square and round hatches and portlights. A few products cover all sizes of standard hatches / portlights. The mosquito net should be larger than the "cut out" size to cover the hatch opening. All mosquito net come with suction cup, magnet and a storage bag.

- Pop-up = 5 sec. mounting
- Fast mounting with suction cup or magnet
- Fits all brands of hatches
- Mounts from the inside
- Works on flushed hatches
- Dence net – keeps out mosquitoes, sand flies, No-See-Ums, gnats, wasps etc.



## MOSQUITO NET ON HATCHES

## MOSQUITO NET ON PORTLIGHTS



## MOSQUITO THROW-OVER NET



ART NR  
**1705**  
360x360 MM  
14"X14"

### HATCHES - SMALL

- 360 x 360 mm (14" x 14")
- Black polyester net, lead weight band
- #1705
- Delivery box 6 pcs



ART NR  
**1710**  
620x620 MM  
24"X24"

### HATCHES - REGULAR

- 620 x 620 mm (24" x 24")
- Black polyester net, lead weight band
- #1710
- Delivery box 6 pcs



ART NR  
**1715**  
720x720 MM  
28"X28"

### HATCHES - LARGE

- 720 x 720 mm (28" x 28")
- Black polyester net, lead weight band
- #1715
- Delivery box 6 pcs



ART NR  
**1740**  
700x1200 MM  
27"X47"

### HATCHES - STEP IN

- 700 x 1200 mm (27" x 47")
- Black polyester net, lead weight band
- #1740
- Delivery box 6 pcs

## MOSQUITO THROW-OVER NET - ECO



ART NR  
**1706**  
360x360 MM  
14"X14"

### HATCHES - SMALL

- 360 x 360 mm (14" x 14")
- Black polyester net, lead weight band
- #1706
- Delivery box 6 pcs



ART NR  
**1711**  
620x620 MM  
24"X24"

### HATCHES - REGULAR

- 620 x 620 mm (24" x 24")
- Black polyester net, lead weight band
- #1711
- Delivery box 6 pcs



ART NR  
**1716**  
720x720 MM  
28"X28"

### HATCHES - LARGE

- 720 x 720 mm (28" x 28")
- Black polyester net, lead weight band
- #1716
- Delivery box 6 pcs



ART NR  
**1741**  
700x1200 MM  
27"X47"

### HATCHES - STEP IN

- 700 x 1200 mm (27" x 47")
- Black polyester net, lead weight band
- #1741
- Delivery box 6 pcs

## LEATHER PROTECTION FOR LIFELINE

Protect your sail from abrasion and chafe. Easy to install with pre-punched leather and all packages includes needle and thread. Easy to remove and use the next season. Sold in pairs.

- Easy to sew and remove
- Reusable
- Protect your foresails
- No more tape
- Leather



### PROTECTION FOR LIFELINE - WIRE

- Grey leather
- 2 x needle, 2 x thread
- #1150
- Delivery box 18 pcs



ART NR  
**1150**  
WIRE

### PROTECTION FOR LIFELINE - PARAFIL

- Grey leather
- 2 x needle, 2 x thread
- #1151
- Delivery box 18 pcs



ART NR  
**1151**  
PARAFIL

### PROTECTION FOR STANCHIONPOLE

- Grey leather
- 2 x needle, 4 x thread
- #1155
- Delivery box 18 pcs



ART NR  
**1155**  
STANCHION  
POLE



# MOSQUITO THROW-OVER NET

Keep mosquitoes away from the cabin. Throw or hang the mosquito net over the hatch. Now with an new affordable solution with lead band or a more enviroment friendly with ecological weight band. The weight band (150g/m) keeps the mosquito net in place. Works perfectly in combination with roller blinds. The mosquito net comes with a convenient storage bag.

- Fast mounting - throw-over
- Works with roller blinds
- Installs from the outside
- Ventilates the boat
- Heavy weight band
- Keeps out mosquitos, gnats, sand flies, No-See-Ums, wasps etc.

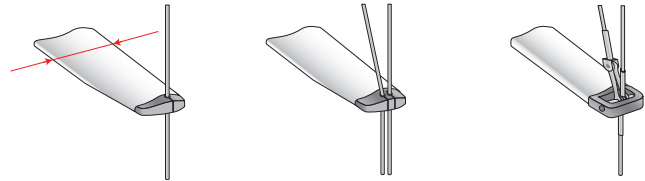


Art nr	Size
1705 Throw-over for hatches – regular	360 x 360 mm (14" x 14")
1706 Throw-over ECO for hatches – regular	360 x 360 mm (14" x 14")
1710 Throw-over for hatches – regular	620 x 620 mm (24" x 24")
1711 Throw-over ECO for hatches – regular	620 x 620 mm (24" x 24")
1715 Throw-over for hatches – regular	720 x 720 mm (28" x 28")
1716 Throw-over ECO for hatches – regular	720 x 720 mm (28" x 28")
1740 Throw-over for hatches – step in	700 x 1200 mm (27" x 47")
1741 Throw-over ECO for hatches – step in	700 x 1200 mm (27" x 47")

# SPREADER BOOT IN LEATHER

The spreader boot is made of leather with a rubber cord edge providing great protection whatever the design of the spreader. The inner side is lined with neoprene for a perfect fit. The protection is complete with a long Velcro strap to fit even wide spreaders. Just cut the Velcro strap to a suitable length and mount the boot with the Velcro pointing backwards. Sold in pairs. Four sizes available.

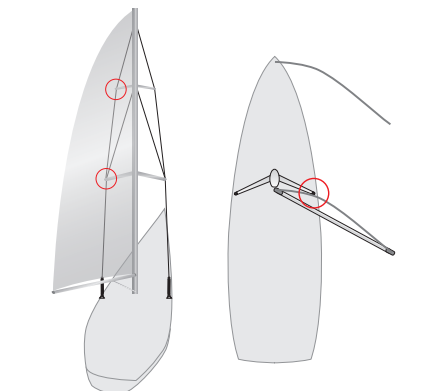
- Easy to install with Velcro
- Fits all brands of rigs
- Leather = natural material
- Neoprene on the inside
- Protects both fore/main sail
- UV protected with leather



1. Measure width
2. Continuous or Linked rig

## Fitting

1. Measure spreader arm (in the middle, not the tip).
2. What kind of rig: Continuous or linked rig.
3. Choose from table



Fitting table	Continuous rig	Linked rig
55-95 mm (2 3/16"-3 3/8")	1050 Small	
95-122 mm (3 3/8"--4 13/16")	1052 Medium	
74-95 mm (2 7/8"-3 3/8")		1052 Medium
105-122 mm (4 1/8"-4 13/16")		1054 Large
122-154 mm (4 13/16"-6")	1054 Large	1056 X-large



# MOISTURE / HEAT INSULATION

A lot of boats have problems with inside moisture. Moisture comes from the difference between the in- and outside temperature of the boat. Hulls are today insulated as well as the glass in the hatch. The aluminium / stainless steel in the hatch will create a bridge for the temperature difference. A layer of insulation will make an effective solution to insulate the hatch. The moisture / heat insulation is mounted as an extra layer between the mosquito net or blind and the hatch. The insulation must be used in combination with a Waterline Design mosquito net or blind.

The silver color is also very effective for heat reflection. A hatch with smoke colored glass can get very hot during a sunny day.



HATCHES - SMALL

HATCHES - REGULAR

HATCHES - LARGE

PORTLIGHTS - SMALL

PORTLIGHTS - LARGE

Art nr	Size	Fits	*
6305 Moisture / heat insulation for hatches – small	350 x 350 mm (14" x 14")		# 1305, # 1405
6310 Moisture / heat insulation for hatches – regular	600 x 600 mm (24" x 24")		#1310, #1320, #1410
6315 Moisture / heat insulation for hatches – large	800 x 800 mm (31" x 31")		# 1315, # 1415
6330 Moisture / heat insulation for portlights – small	230 x 490 mm (10" x 19")		# 1330, # 1430
6335 Moisture / heat insulation for portlights – large	300 x 700 mm (12" x 27")		# 1335, # 1435
*Fits also previous products #6310 (#1220, #1510, #1520) #6315 (#1221, #1515) #6330 (#1226) #6335 (#1535, #1223)			

# Mr MOORING - MOORING LINE HOLDER

Keep your fixed mooring lines in place when you leave the harbour. Place "Mr Mooring" on your mooring fingers, bollard or the dock. Hang up your mooring lines on Mr Mooring when going out and pick them up when back in the harbour. Mr Mooring simplifies the docking. No risk of getting the mooring line in the propeller and no algae on the rope. Room for two lines = easy to share with your neighbors boat. New foot with spring steel to make it flexible yet stiff enough to hold the line during strong wind (#1784).

- Works on dock pole, docks and mooring fingers
- Resistant and UV-protected
- No dropped cell phone while leaning over the railing
- Fast mounting with cable tie

Easy installation with two cable ties (included). For dock poles/ bollards or dock, use the optional screws and brackets (#1782). Mr Mooring is made of impact resistant and UV-protected HD polyethylene and polycarbonate. 100% recyclable. Made in Sweden.

## Mr Mooring #1780 vs Mr Mooring Flexible #1784

The only difference is that Mr Mooring Flexible have a flexible foot with stainless steel spring.



Mr Mooring (fixed foot)



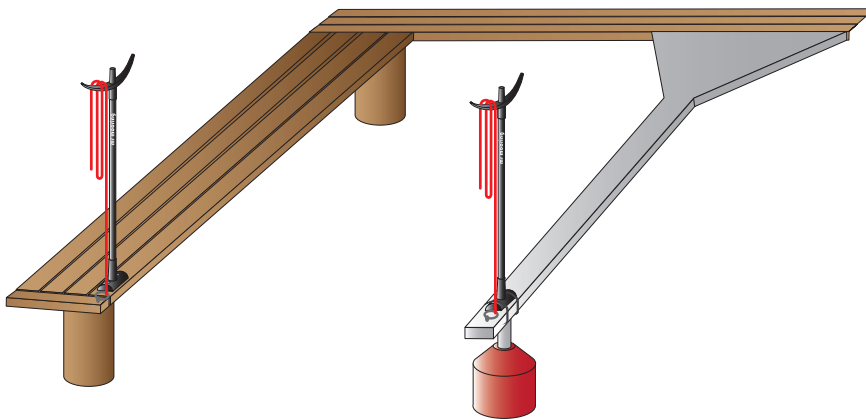
2 pcs Cable Tie (spare part)



Bracket for bollard



Mr Mooring Flexible



Art nr	Size	Weight
1780 Mr Mooring	950 x 300 mm (37" x 12")	400 grams (0,9 lb)
1781 Cable tie – spare part	2 cable ties 550 mm (21")	
1782 Dock pole/bollard	2 brackets	
1784 Mr Mooring Flexible	950 x 300 mm (37" x 12")	500 grams (1,1 lb)



# SPIROLL – ROPE PROTECTION

Extends the life of ropes, tamps and removes sound from cleats. Made out of UV-resistant sturdy polyurethane to endure the harshest marine environments. Easy mounted/wrapped around the rope, no additional attachment necessary. A special technique enables the cover to automatically wrap around ropes and lines, which provides a perfect fit.

Spiroll also reduces "squeaking" from the mooring cleat and protects the boat's gelcoat against wear.

- Easy to install and remove
- Protect your lines
- Reduces noise in mooring cleat
- Salt water proof
- Extends the life of your ropes
- UV-resistant

## SPIROLL - MEDIUM BLACK

- Black polyurethane
- 50 grams
- Fits rope 8-16 mm (up to 5/8")
- Length 400 mm (16")
- #1120
- Delivery box 24 pcs

## SPIROLL - MEDIUM ORANGE

- Orange polyurethane
- 50 grams
- Fits rope 8-16 mm (up to 5/8")
- Length 400 mm (16")
- #1121
- Delivery box 24 pcs

## SPIROLL - LARGE BLACK

- Black polyurethane
- 150 grams
- Fits rope 16-25 mm (3/4"-1")
- Length 600 mm (24")
- #1122
- Delivery box 24 pcs

## SPIROLL - LARGE ORANGE

- Orange polyurethane
- 150 grams
- Fits rope 16-25 mm (3/4"-1")
- Length 600 mm (24")
- #1123
- Delivery box 24 pcs

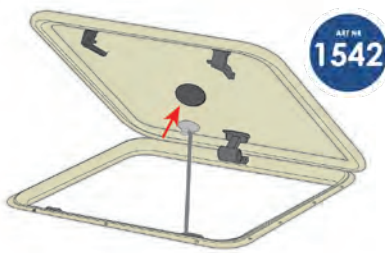
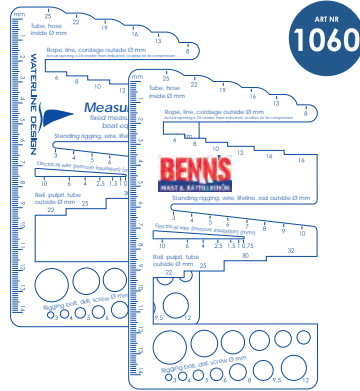


Art nr	Color	Rope size	Length
1120 Spiroll – medium	Black	rope ø 8 - 16 mm (up to 5/8")	400 mm (16")
1121 Spiroll – medium	Orange	rope ø 8 - 16 mm (up to 5/8")	400 mm (16")
1122 Spiroll – large	Black	rope ø 16 - 25 mm (3/4" - 1")	600 mm (24")
1123 Spiroll – large	Orange	rope ø 16 - 25 mm (3/4" - 1")	600 mm (24")

# SMART & SIMPLE

## MEASURE CARD

A plastic card with boat measurements, inch and mm on the other side. Also available with custom logo.



## PLATE FOR FIBERGLASS HATCH

A plastic plate for fiberglass hatches so the suction cup can be used. Mounts with double sided tape (3M tape) on all kind of fiberglass and wood hatches.

## MESH BAG

Cool your beverage when you have moored or scrub your potatoes behind the boat during sailing.

- Room for 3 bottles or 8 cans
- Velcro closing for safety

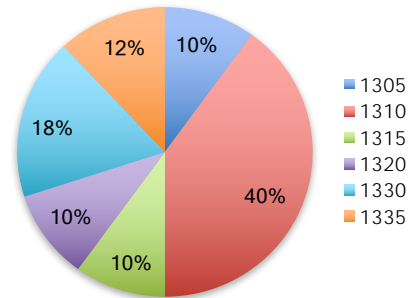


## MAGNET

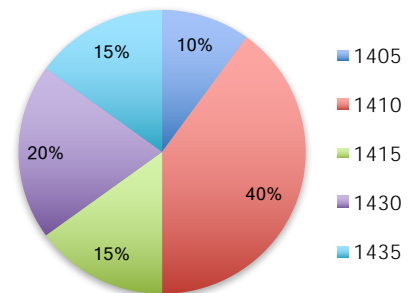
A magnet as alternative to the suction cup. Included in all package of mosquito nets and blinds. A metal plate with 3M tape is placed on hatch, as the base for the magnet.

# PURCHASE HELP GUIDE SALES / MODEL

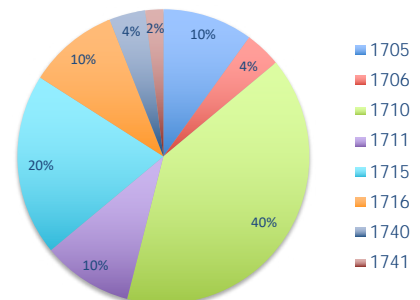
## Blinds with ventilation



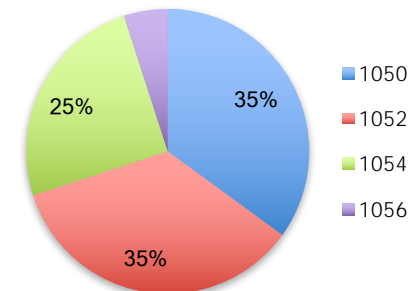
## Mosquito net



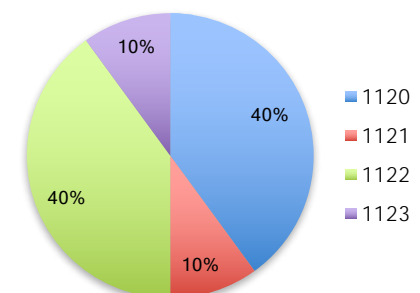
## Throw over net



## Spreader boot



## Spiroll

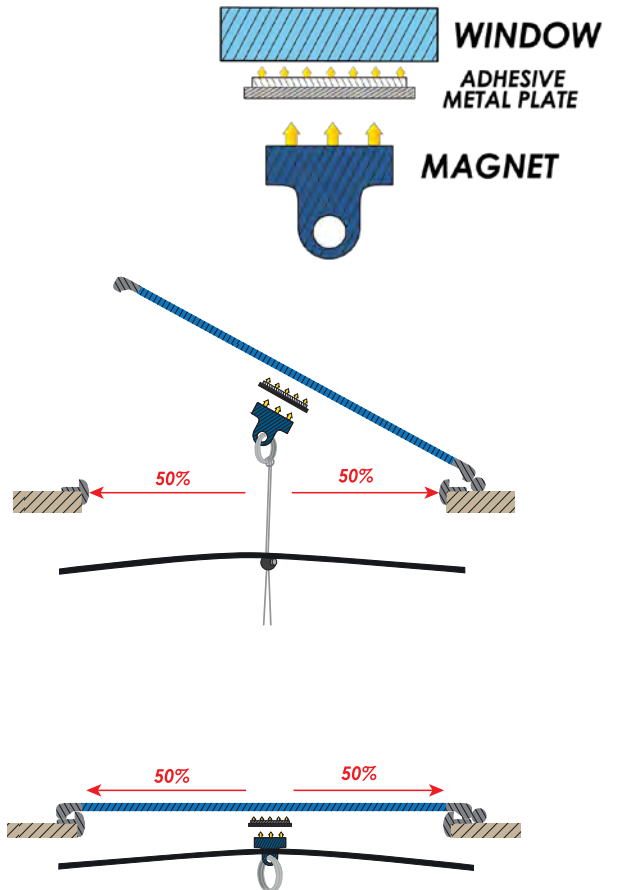


Art nr	Size
1060 Measure Card	100 x 150 x 2 mm (4" x 6" x 5/64")
1230 Mesh bag	400 x 400 x 150 mm (16" x 16" x 6")
1542 Plate for hatches	ø 60 mm (ø 2 1/4")
9025 Magnet kit	Magnet / metal plate



# MAGNET MOUNTING

The new way to fasten a mosquito net or a blind on a hatch / portlight. A small metal plate is mounted on the hatch with 3M doublesided tape. The magnet can easily be mounted to the metal plate. No chance for the magnet to fall down. We have made the doublesided tape a little smaller then the metal plate so it can easily be removed without damage the hatch. Just put in a screw drive under the plate and with a easy twist the foam tape will break. Use your thumb and roll of the tape recedue and finnish with some cleaning liquide that doesn't harm the hatch.



## OEM

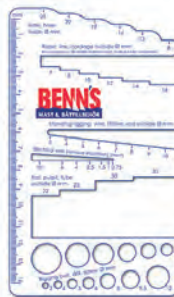
We can brand our products OEM (Original Equipment Manufacturer) with your own package, logo on products, carry bag etc., even in small series. Contact us for more info.

**RUTGERSON**  
Best in action



Rutgerson Marine, branded package.

**BENNS**  
KUNST & BAUZEICHNUNG



Branded product with logotype

OCEANair



Oceanair LTD. Mosquito net for round portlight in small serie.

## BLINDS WITH VENTILATION



Hatches – small



Hatches – regular



Hatches – large



Hatches with ventilation – regular



Portlights – small



Portlights – large



Companionway

## MOSQUITO NET/BUG SCREEN



Hatches – small



Hatches – regular



Hatches – large



Portlights – small



Portlights – large



Companionway

## MOSQUITO THROW-OVER NET



Throw-over – small



Throw-over – regular



Throw-over – large



Throw-over – step in



Throw-over ECO – small



Throw-over ECO – regular



Throw-over ECO – large



Throw-over ECO – step in



## SPREADER BOOT IN LEATHER



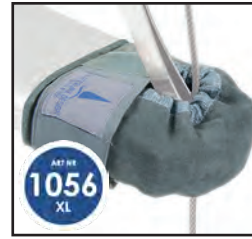
Small



Medium



Large



XL

## LEATHER PROTECTION FOR LIFELINE



Lifeline - wire



Lifeline - parafill



Stanhionpole

## SPIROLL - ROPE PROTECTION



Medium - black



Medium - orange



Large - black



Large - orange

## MR MOORING



Mr Mooring



Cable tie mount



Bollard mount



Mr Mooring Flexible

## SMART & SIMPLE



Measure card



Mesh bag



Plate for fiberglass



Magnet kit

## DISCONTINUED



Siphon pump

## MOISTURE / HEAT INSULATION



Hatches - small



Hatches - regular



Hatches - large



Portlights - small



Portlights - large

## START IMAGE

Due to “new recommendations” for online shopping, we made new start images.

- Enlarged products to cover a wider area
- Other is transparent
- White background
- Image in high resolution JPG, 300 DPI, 3000x3000 px, CMYK
- Image webready JPG, 72 DPI, 1000 x 1000 px, RGB



## INFOGRAPHIC IMAGE

To visualize some of the benefits we made infographics images in order to:

- Highlight benefits
- Image in high resolution JPG, 300 DPI, 3000x3000 px, CMYK
- Image webready JPG, 72 DPI, 1000 x 1000 px, RGB
- Available as illustrator-file for easy translation (on request)

