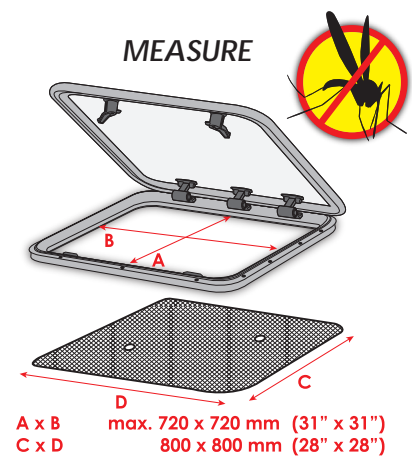
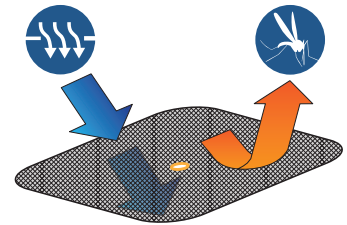
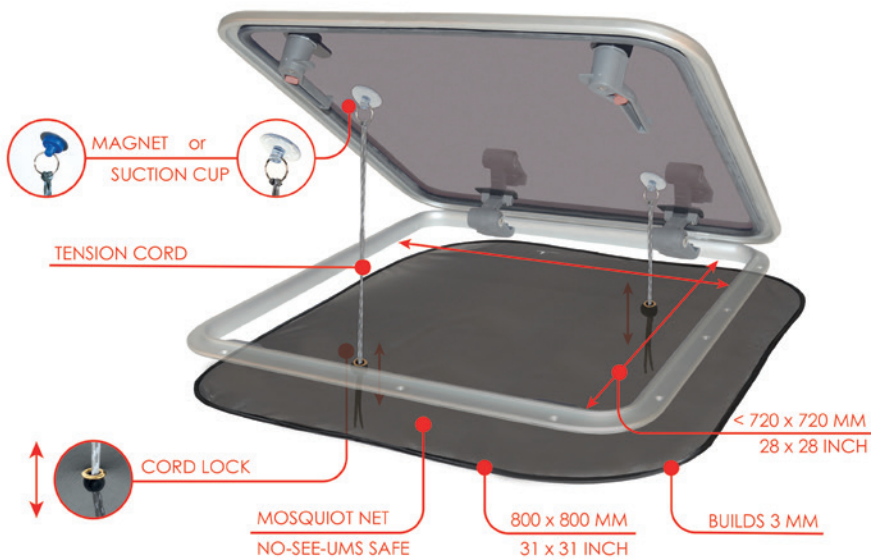


MOSQUITO NET for large hatches



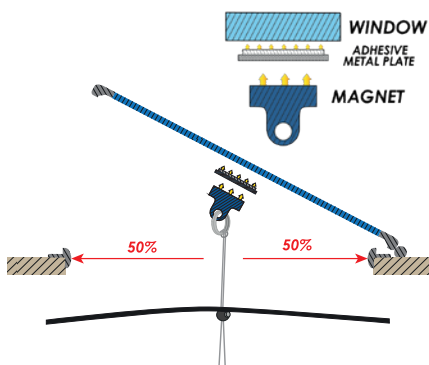
A universal sized mosquito net that fits all brands of hatches and portlights. Mounts from the inside with a suction cup or magnet. The mosquito net should be larger than the "cut out" size to cover the hatch opening. It will also fit different shapes: rectangular, square and round hatches and portlights. A few products cover all sizes of standard hatches / portlights. The mosquito net should be larger than the "cut out" size to cover the hatch opening. All mosquito net come with suction cup, magnet and a storage bag.

MAGNET MOUNTING

The new way to fasten a mosquito net or a blind on a hatch / portlight. A small metal plate is mounted on the hatch with 3M doubled sided tape. The magnet can easily be mounted to the metal plate.

- Pop up = 5 sec. mounting
- Fast mounting with suction cup or magnet
- Fits all brands of hatches
- Mounts from the inside
- Works on flushed hatches
- Dence net – keeps out mosquitoes, sand flies, No-See-Ums, gnats, wasps etc.

SECTION VIEW



MOSQUITO NET FOR HATCHES



ART NR
1405
350x350 MM
14"x14"

HATCHES – SMALL

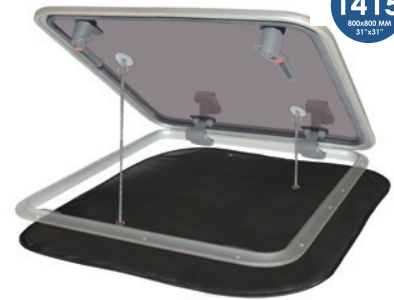
- Cut out < 300 x 300 mm (12" x 12")
- 350 x 350 mm (14" x 14")
- BLACK POLYESTER, CHROMED STEEL FRAME
- Art nr #1405



ART NR
1410
600x600 MM
24"x24"

HATCHES – REGULAR

- Cut out < 520 x 520 mm (20" x 20")
- 600 x 600 mm (24" x 24")
- BLACK POLYESTER, CHROMED STEEL FRAME
- Art nr #1410



ART NR
1415
800x800 MM
31"x31"

HATCHES – LARGE

- Cut out < 720 x 720 mm (28" x 28")
- 800 x 800 mm (31" x 31")
- BLACK POLYESTER, CHROMED STEEL FRAME
- Art nr #1415

PORTLIGHTS



ART NR
1430
230x490 MM
10"x19"

PORTLIGHTS – SMALL

- Cut out < 180 x 430 mm (7" x 17")
- 230 x 490 mm (10" x 19")
- BLACK POLYESTER, CHROMED STEEL FRAME
- Art nr #1430 (2-pack)



ART NR
1435
300x700 MM
12"x27"

PORTLIGHTS – LARGE

- Cut out < 200 x 650 mm (7¾" x 25½")
- 300 x 700 mm (12" x 27")
- BLACK POLYESTER, CHROMED STEEL FRAME
- Art nr #1435



ART NR
1460
900x1800 MM
35"x71"

COMPANIONWAY

- Opening < 850 x 1750 mm (33" x 69")
- 900 x 1800 mm (35" x 71")
- BLACK POLYESTER, BLACK EDGE BAND
- Art nr #1460



Art nr	Size	Fits hatch (cut out)
1405 Hatches – small	350 x 350 mm (14" x 14")	< 300 x 300 mm (12" x 12")
1410 Hatches – regular	600 x 600 mm (24" x 24")	< 520 x 520 mm (20" x 20")
1415 Hatches – large	800 x 800 mm (31" x 31")	< 720 x 720 mm (28" x 28")
1430 Portlights – small (2-pack)	230 x 490 mm (10" x 19")	< 180 x 430 mm (7" x 17")
1435 Portlights – large	300 x 700 mm (12" x 27")	< 200 x 650 mm (7¾" x 25½")
1460 Companionway	900 x 1800 mm (35" x 71")	< 850 x 1750 mm (33" x 69")

