

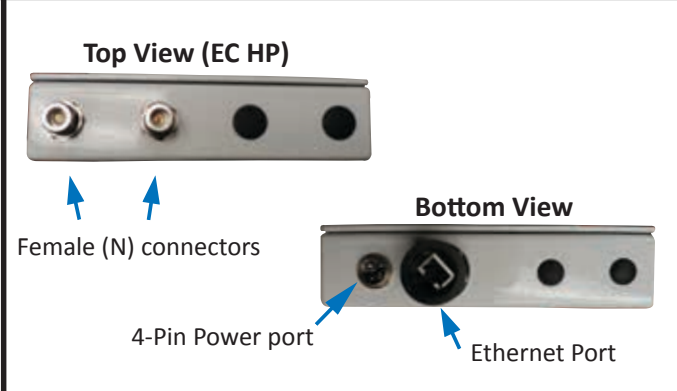
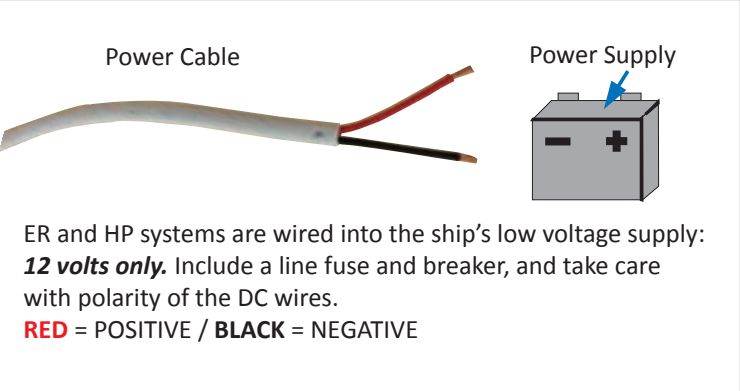
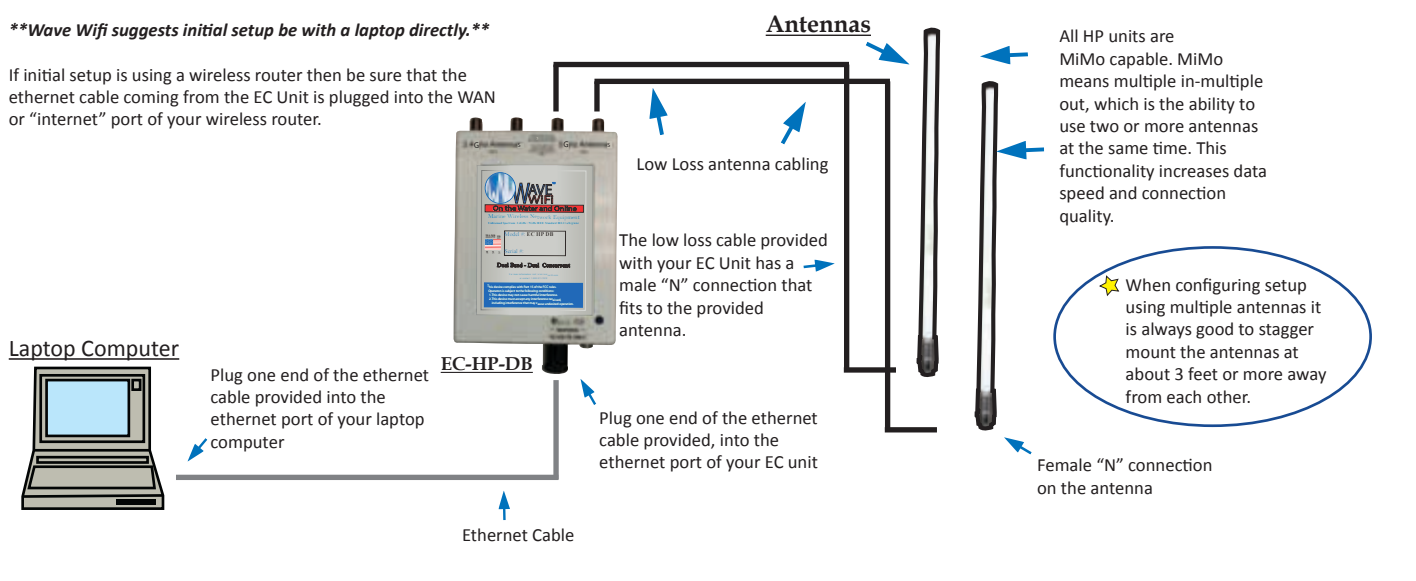


On the Water and Online

Extended Range & High Powered EC Quick Start Guide

****Wave Wifi suggests initial setup be with a laptop directly.****

If initial setup is using a wireless router then be sure that the ethernet cable coming from the EC Unit is plugged into the WAN or "internet" port of your wireless router.

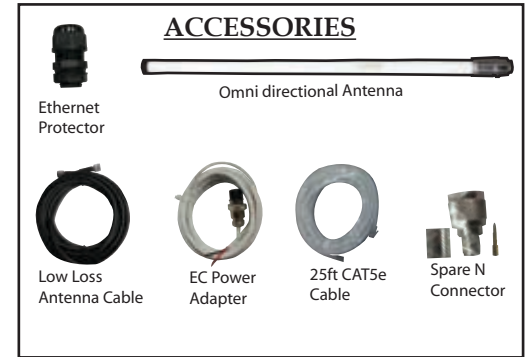


Connecting directly via ethernet port with Laptop:

- 1.) Open a web browser and type in 192.168.89.1 in the URL bar at the top.
- 2.) From the network scan page, connect to a network that you are familiar with.
- 3.) The connection should read, "(Three dots)..., Checking IP, Got Internet".

Connecting wirelessly with a Router:

- 1.) Connect wirelessly to the router that your EC unit is PHYSICALLY connected to via laptop, tablet or smartphone.
- 2.) Open a browser and at the top URL bar type: 192.168.89.1
- 3.) Once on the interface page of the unit, click on a network and type in a password if needed.
- 4.) The connection should read "(Three dots)..., Checking IP, Got Internet".



Extended Range & High Powered EC Quick Start Guide

Connecting to the EC Unit

Connect the EC Unit's ethernet cable to your computer's Ethernet port or to a router. If using a router make sure that your laptop or tablet is **WIRELESSLY** connected to the router that the EC Unit is **PHYSICALLY** connected to. After several seconds your computer should receive an IP address from the EC Unit (a Windows computer will generally show the message icon "Connected" at the bottom of the screen). Please be sure that the browser you are using is up to date. It may be best to use Mozilla Firefox or Google Chrome if you have the option. Next, Open your browser and type: " 192.168.89.1 " into the address bar and press "enter". The Network Scan page will then open. Depending on the device you are using to manage the Rogue unit; the page looks similar to this. (SEE BELOW)



Scanning for HotSpot Networks

If necessary you can refresh the network list by clicking the "Scan" button. The list of wireless networks (HotSpots) is ordered by signal strength: the strongest signals are indicated by the color **GREEN**. You will also see **ORANGE** or **RED** for weaker signals. These bars will also fluctuate as the signal changes around you. To connect to a Hotspot, click on the HotSpot name (SSID). There will be a drop down once you click on the network you are trying to connect to. In the blank space type in a password. The Unit will then attempt to negotiate a connection with the remote Hotspot. During this process the screen will show "Three dots (...), Checking IP, Got Internet".

Do not click on anything until this process is completed. Afterwards click the network that you are connected to, to see your current network status. (SEE BELOW)



EC Unit Settings



Clicking on the "Settings" tab opens the above page. "Disabling EC Firewall" removes your protection from access by other network users. However, it may be necessary to disable this feature to access some HotSpots. Clicking "reboot" disconnects the EC Unit from the current hotspot and also refreshes the connection. You may have to reconnect after a reboot if the hotspot is not a favorited network. You can also statically set the wireless side of the EC Unit in settings at the bottom left of the page. (Please be sure that you understand IP addressing when changing this function.)

Troubleshooting your EC Unit

- The Serial# and firmware version of your unit is on the "Settings Page"
- The EC Unit's power consumption is regulated 12v -- 1A.
- Try power cycling the unit initially. Meaning to power it off and then on again. This should last 30 secs and should be the EC Unit as well as the router it is connected to.
- If you are seeing poor performance in the gain of your EC Unit then check the low loss antenna cable connections. Make sure that the connectors are on securely and screwed on tightly so that the gold pin is in place. (If you reterminated the low loss antenna cable be sure that it is soldered and crimped. This is usually done by a professional installer).
- Be sure that you are not overpowering or underpowering your EC Unit and causing it to fail.

Follow Prompts for Splash Pages / Captive Portals



★ Favoriting Hotspots ★

- 1.) Connect to the network that you want to favorite.
- 2.) Once connected, click the yellow star ★ to the left of the network bar to favorite the Wi-Fi network source.

TIP: You can see a full listing of all favorited networks in the "favorites" link to the left of the screen. You can also delete a network from your favorites in this same location.