

Weems & Plath®

Manufacturer of Fine Nautical & Weather Instruments

DAMPENED DELUXE BAROGRAPH

Lifetime Warranty

Model #410-D
Made in Germany

REPLACEMENT PARTS:

| | |
|--------|---|
| #451 | Felt Tip Cartridge Pen |
| #108CH | Barograph Charts, Inch (2 yr. supply) |
| #107CH | Barograph Charts, Millibar (2 yr. supply) |
| #110 | Dampening Fluid |

Technical Data

Precision Barograph with
dampened recording arm

8 Diaphragms

Gold plated base plate

Quartz movement for chart drum

Power supply: 1 x 1.5V AA
battery (incl.)

52 one week charts in inches (incl.)

Chart size: H 2" (5.5cm) x L 9 ¼" (23.5cm)

Resolution: 2hPa

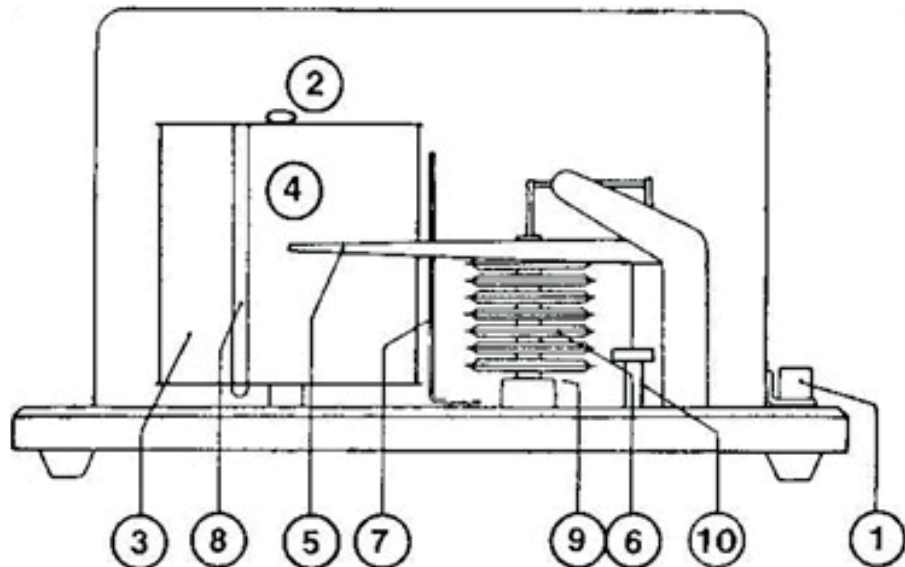
Operating Range: 960...1050hPa

Linearity deviation: +-1hPa between 980...1030hPa

Case: Mahogany & glass

Case dimension: 11" x 6 ¾" x 6 ½" (379 x 171 x 165mm)

Weight: 7 lbs (3.175 kg)



How the Dampening System Operates

The recording arm dampening system prevents erratic movement of recording arm when the barograph is at sea.

The cylinder (10) next to the diaphragms (6) must be filled with the supplied dampening fluid for the system to operate.

To fill: Remove the friction fitted cover of the cylinder (10), fill with fluid and replace cover. Once the cylinder is full the piston will move through the fluid slowly when the pressure changes. (Do not substitute any other fluid for use as dampening fluid).

OPERATING INSTRUCTIONS

To open: Slide brass button to side (1) and lift hood.

To install battery: Remove nut from top of drum (2), lift recording drum off (3) and insert premium AA battery in base. Replace drum and nut.

To install felt tip pen: The recording arm (5) is fitted with a felt tip pen cartridge. To replace pen, twist the vertical post base (7) so it holds the recording arm (5) away from the drum. Pull pen off the end of the recording arm. Carefully push new pen onto end of arm. Next, turn the drum so the pen is set to time and day. Twist the vertical post base (7) so the pen touches the chart. The recording arm must not touch the post. Pen replacement will be necessary after approximately 12 months or after prolonged period of idleness.

To replace chart: Twist the base of vertical post (7) so it holds the recording arm (5) away from the drum (4). Remove the metal chart clip (8) and chart. Wrap a new chart around the drum (4) with both ends overlapping at the clip position.

Replace clip (7) making sure that the clip covers the chart ends so the pen will not catch on the chart. Turn drum so that pen tip is set to current day/time position on chart. Turn vertical post base (6) to allow pen to touch chart. It is advisable to replace chart every Monday and readjust time setting.

Altitude Adjustment: The barograph must be adjusted to local pressure with the adjusting knob (9) located behind diaphragms (6). It is advisable to adjust the setting using a control barometer or your local weather station. Knob turned clockwise – recording arm will move upwards. Knob turned counter clockwise – recording arm will move downward.

NOTE: Movement damage caused by battery leakage is not covered under warranty.