

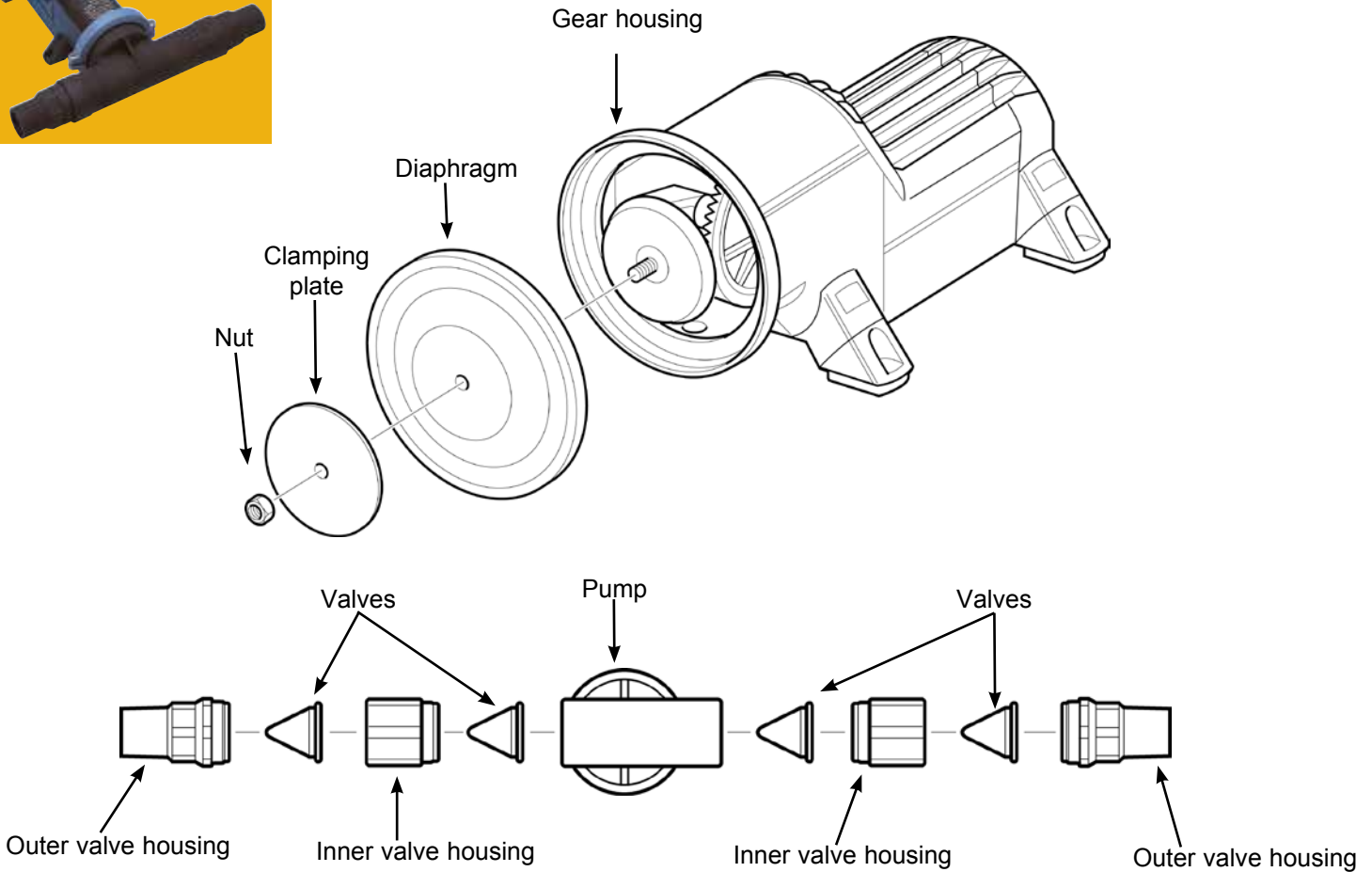
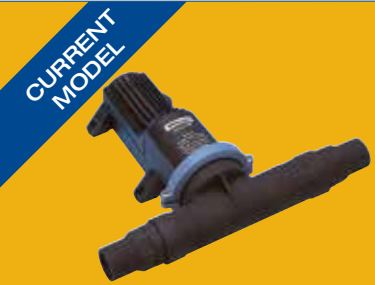


# Electric Toilet Waste Pumps

## Gulper® Toilet Waste Pump

**BP2552B (12V d.c.), BP2554B (24V d.c.)** - Pump Designed to Manage Unmacerated Toilet Waste

**Note\*** Contained in Service Kit AK1557



### Accessories

**DV5606 1 1/2" Diverter Valve**

**EB3488 1 1/2" Elbow**

**YP6114 1 1/2" Y Piece**

### Service Kits

**AK1557 with Set of Serviceable Parts for Gulper® Toilet Pump**

Qty	Containing
1	Diaphragm
4	Inlet/outlet valves

**AS1562 Clamping Ring Kit**



AK1557



AS1562



DV5606



EB3488



YP6114

Find out more about boat plumbing we have.