



**Putting
safety and
reliability first
for 60
years**



The experts in manual pumps

Long history of product quality and customer service

Innovative designs

Up to 5 years warranty – reliability and consistency throughout

Proud to manufacture in the UK

Gusher[®] 10 Mk 3



Diecast Alloy Bilge Pump

- Robust design for tough conditions
- Designed for instant access and easy maintenance
- High flow non-choke valves
- Bulkhead, floor or thru deck mounting options
- Easy action

Model	On Deck / Bulkhead	Thru Deck / Bulkhead
Product Code	BP3708	BP3740
Weight	2.3 kg (5 lb)	
Hose Connections	38 mm (1 1/2") Smooth Hose Connections	
Materials	Pump Body: Marine Grade LM6 Aluminium Alloy (epoxy coated) Diaphragm: Neoprene (AK3714-Nitrile parts for oil and diesel) Fasteners: Stainless Steel	
Materials In Contact With Fluid	Long Life Grade LM6 Aluminium Alloy (epoxy coated), Neoprene, Nitrile, Stainless Steel	
Maximum Suction Lift	4 m (13.5 ft)	
Maximum Discharge Head	4 m (13.5 ft)	
Suitable as a primary bilge pump on boats equal to or greater than 12m (40ft) in accordance with ISO150831		
Performance Data	BP3708 / BP3740	BP3708 / BP3740
Suction Lift	1 m (3 ft)	2 m (6 ft)
Discharge Head	0.5 m (1.5 ft)	0.5 m (1.5 ft)
45 Strokes per Minute	41 ltrs (11 US gals)	41 ltrs (11 US gals)
70 Strokes per Minute	65 ltrs (17 US gals)	65 ltrs (17 US gals)

Gusher[®] 30



Largest Capacity Diecast Alloy Bilge Pump in the Whale Range

- Double action high capacity bilge pump
- Twin diaphragm pump even continues working if one diaphragm is damaged
- Mounting options include deck/floor, bulkhead and thru deck models.
- Over 117 ltrs (31 US gals) per minute maximum output
- Corrosion resistant, powder coated, die cast aluminum alloy
- MCA, USCG approvals

Model	On Deck	On Bulkhead	Thru Deck Only
Product Code	BP3000	BP3010	BP3020
Weight	5.05 kg (11.1 lb)		5.9 kg (13 lb)
Hose Connections	38 mm (1 1/2") Smooth Hose Connections		
Materials	Pump Body: Marine Grade LM6 Aluminium Alloy (epoxy coated) Diaphragm: Neoprene, Brushes: Acetal, Handwheels: Nylon Fasteners: Stainless Steel		
Materials In Contact With Fluid	Grade LM6 Aluminium Alloy (epoxy coated), Neoprene, Stainless Steel		
Maximum Suction lift	4 m (13.5 ft)		
Maximum Discharge Head	4 m (13.5 ft)		
Suitable as a primary bilge pump on boats equal to or greater than 12m (40ft) in accordance with ISO150831			
Performance Data	BP3000	BP3010	BP3020
Suction Lift	0 m (0 ft)	1 m (3 ft)	2 m (6 ft)
Discharge Head	0.5 m (1.5 ft)	0.5 m (1.5 ft)	0.5 m (1.5 ft)
45 Strokes per Minute	75 ltrs (20 US gals)	71 ltrs (19 US gals)	71 ltrs (19 US gals)
70 Strokes per Minute	117 ltrs (31 US gals)	111 ltrs (29 US gals)	111 ltrs (29 US gals)

Gusher® Urchin



Model	On Deck Fixed Handle	Thru Deck Bulkhead	On Deck Removable Handle
Product Code	BP9005	BP9013	BP9021
Weight	0.6 kg (1.3lb)	0.96 kg (2lb)	0.7 kg (1.5lb)
Hose Connections	25 mm (1") or 38 mm (1 1/2") Smooth Hose Connections		
Materials	Pump Body: Glass-filled Polypropylene, Clamp Ring: Acetal Diaphragm: Neophrane (Nitrile option available) Operating Lever (BP9021 only): Glass-filled Nylon Handle, Springs, Fasteners: Stainless Steel		
Materials In Contact With Fluid	Glass-filled Polypropylene, Nitrile, Neophrane, Stainless Steel		
Maximum Suction Lift	4 m (13.5 ft)		
Maximum Discharge Head	3 m (10 ft)		
25mm (1") Hose connection - Suitable as a primary bilge pump on boats up to 12m (40ft) in accordance with ISO150831 38mm (1 1/2") Hose connection - Suitable as a primary bilge pump on boats equal to or greater than 12m (40ft) in accordance with ISO150831.			

Compact Bilge and Waste Water Transfer Pump

- Compact design is ideal for confined spaces
- Smooth easy action up to 55 ltrs (14.5 US gals) per minute
- Clamp ring easily removed for pump head rotation and quick maintenance
- Three different mounting orientations (deck, bulkhead and thru deck models)
- Dual size nozzles for 25 mm (1") or 38 mm (1 1/2") hose

Performance Data	BP9005/BP9013/BP9021	BP9005/BP9013/BP9021
25 mm (1") Hose		
Suction Lift	1 m (3 ft)	2 m (6 ft)
Discharge Head	0.5 m (1.5 ft)	0.5 m (1.5 ft)
45 Strokes per Minute	25 ltrs (7 US gals)	25 ltrs (7 US gals)
70 Strokes per Minute	43 ltrs (11.4 US gals)	40 ltrs (10.6 US gals)
38 mm (1 1/2") Hose		
Suction Lift	1 m (3 ft)	2 m (6 ft)
Discharge Head	0.5 m (1.5 ft)	0.5 m (1.5 ft)
45 Strokes per Minute	37.5 ltrs (9.9 US gals)	36 ltrs (9.5 US gals)
70 Strokes per Minute	55 ltrs (14.5 US gals)	53 ltrs (14 US gals)

Gusher® Titan



Powerful Lightweight Bilge and Waste Pump

- High flow rate: 105 ltrs (28 US gals) per minute
- Clamp ring easily removed for pump head rotation and quick maintenance
- Bulkhead and thru deck models

Model	On Deck	Thru Deck / Bulkhead
Product Code	BP4402	BP4410
Weight	1.5 kg (3.3 lb)	1.85 kg (4.1 lb)
Hose Connections	38 mm (1 1/2") Smooth Hose Connections	
Materials	Pump Body: Glass-filled Polypropylene, Clamp Ring: Acetal Diaphragm and Valves: Neoprene (Nitrile option available) Operating Lever: Glass-filled Nylon Gaiter: EPDM, Fasteners: Stainless Steel	
Materials In Contact With Fluid	Glass-filled Polypropylene, Acetal, Neoprene, Nitrile, Stainless Steel	
Maximum Suction lift	4 m (13.5 ft)	
Maximum Discharge Head	4 m (13.5 ft)	
Suitable as a primary bilge pump on boats equal to or greater than 12m (40ft) in accordance with ISO150831		
Performance Data	BP4402 / BP4410	BP4402 / BP4410
Suction Lift	1 m (3 ft)	2 m (6 ft)
Discharge Head	0.5 m (1.5 ft)	0.5 m (1.5 ft)
45 Strokes per Minute	67 ltrs (18 US gals)	65 ltrs (17 US gals)
70 Strokes per Minute	105 ltrs (28 US gals)	98 ltrs (26 US gals)

Compac 50



Low Profile Underdeck Bilge Pump

- Compact design for confined spaces
- Tough, proven, reliable design
- 40 ltrs (10.5 US gals) per minute

Product Code		BP0350
Weight	0.9 kg (2lb)	
Hose Connections	25 mm (1") Smooth Hose Connections	
Materials	Pump Body: Glass-filled Polypropylene, Clamp Ring: Acetal Diaphragm, Valves and Seals: Nitrile, Operating Lever: Glass-filled Nylon Gaiter: EPDM, Deck Plate Cover: PBT, Fasteners: Stainless Steel	
Materials In Contact With Fluid	Glass-filled Polypropylene, Nitrile, Stainless Steel	
Maximum Suction lift	3 m (10 ft)	
Maximum Discharge Head	4 m (13.5 ft)	
Suitable as a primary bilge pump on boats equal to or greater than 12m (40ft) in accordance with ISO150831		
Performance Data		
Suction Lift	1 m (3 ft)	
Discharge Head	0.5 m (1.5 ft)	
45 Strokes per Minute	32 ltrs (9 US gals)	
70 Strokes per Minute	35 ltrs (9.2 US gals)	

- Only 120 mm (4 3/4") deep for low profile installation underdeck
- Clamp ring easily removed for head rotation and quick maintenance
- Suitable for pumping bilge water and diesel

Smartbail



Compact Manual Bilge Pump

- Easy and quick to install by one person
- Slim-line, modern design is ideal for confined spaces
- Sleek integrated handle
- Patented diaphragm ensures the pump is easy to use and service

Product Code		BP5012			
Weight	0.6 kg				
Hose Connections	2 options included: 25 mm (1") ports – qty 2 36 mm (1 1/2") ports – qty 2				
Materials	Pump body: Glass filled polypropylene Inlet and outlet valves: Nitrile Diaphragm: Santoprene®				
Materials in contact with Fluid	Glass filled polypropylene, stainless steel, Nitrile, Santoprene®				
Suitable as a primary bilge pump on boats equal to or greater than 12m (40ft) in accordance with ISO150831					
Performance data					
Maximum Head:		3 m (9.8 ft)			
Maximum Lift:		3 m (9.8 ft)			
Maximum combined lift and head:		3 m (9.8 ft)			
Port size		25mm (1")		38mm (1 1/2")	
Lift	Head	45 strokes/min	70 strokes/min	45 strokes/min	70 strokes/min
0m (0ft)	0m (0ft)	38.5 ltrs/min (10.17 US gals/min)	60 ltrs/min (15.9 US gals/min)	43.5 ltrs/min (11.5 US gals/min)	67.7 ltrs/min (17.9 US gals/min)
1m (3ft)	1m (3ft)	32.75 ltrs/min (8.7 US gals/min)	51 ltrs/min (13.5 US gals/min)	43.5 ltrs/min (11.49 US gals/min)	67.7 ltrs/min (17.9 US gals/min)

Easybailer



Hand Pump for Bailing Out

- Portable lightweight design
- Suitable for bilge water or diesel transfer
- Ideal for bailing out small boats, dinghies or kayaks

Model	Short Barrel Version	Long Barrel Version
Product Code	BP1935/BP1955	BP1935/BP1955
Weight	0.32 kg (0.7 lb)	0.4 kg (0.9 lb)
Hose Connections	25 mm (1") Smooth Hose Connections	
Materials	Pump Body: ABS, HDPE, Polypropylene, PVC, uPVC Diaphragm: Neoprene, Fasteners: Stainless Steel	
Materials in contact with Fluid	ABS, HDPE, Polypropylene, PVC, uPVC, Neoprene, Stainless Steel	
Suitable as a primary bilge pump on boats up to 12m (40ft) in accordance with ISO150831		
Performance Data	BP4402 / BP4410	BP4402 / BP4410
Suction Lift	0 m (0 ft)	1 m (3 ft)
Discharge Head	0.5 m (1.5 ft)	0.5 m (1.5 ft)
45 Strokes per Minute	19 ltrs (5 US gals)	19 ltrs (5 US gals)
70 Strokes per Minute	31.4 ltrs (8.3 US gals)	31.4 ltrs (8.3 US gals)

Gusher Galley



Product Code	GP0550	GP0551
Lever mounting	Right	Left
Weight	0.7 kg (1.5 lbs)	
Hose Connections	Suitable for connection to Whale Quick Connect 15 mm Plumbing 13 mm (1/2") Flexible Hose	
Materials	Pump Body: Acetal, Nylon Lever: LM6 Aluminium Alloy Diaphragm: Nitrile, Neoprene Fasteners: Stainless Steel	
Maximum Suction Lift	2 m (7 ft)	
Maximum Discharge Head	3 m (10 ft)	
Maximum Output per Minute	15 ltrs (4 US gals)	

Foot Operated Freshwater Pump

- Low cost freshwater system for faucets and showers
- Suitable for pumping freshwater or saltwater
- Left and right handed versions available
- Ease of installation – multidirectional inlet and outlet hose connections

Tiptoe Pump



Self-Priming Freshwater Foot Pump

- Easy operation and comfortable for bare foot use
- Easy to install thru deck design
- Suitable for fresh or saltwater usage
- Plunger locks down flush with floor for safety when not in use

Product Code	GP1309
Weight	0.4 kg (0.9lbs)
Hose Connections	Suitable for 13 mm (1/2") Flexible Hose
Materials	Pump Body: Acetal, Nylon, Polypropylene Seals: Nitrile, Neoprene, Phosphor Bronze Fasteners: Stainless Steel
Maximum Suction Lift	2 m (7 ft)
Maximum Discharge Head	4 m (12 ft)
Maximum Output per Minute	7 ltrs (1.85 US gals)

Babyfoot® Pump



Product Code	GP4618
Weight	0.3 kg (0.7 lbs)
Hose Connections	Suitable for 13 mm (1/2") Flexible Hose
Materials	Pump Body: Nylon Ports: Acetal Seals: Neoprene Fasteners: Stainless Steel, Phosphor Bronze
Maximum Suction Lift	1.5 m (5 ft)
Maximum Discharge Head	3 m (10 ft)
Maximum Output per Minute	8 ltrs (2.2 US gals)

Self-Priming Compact Freshwater Foot Pump

- Easy to install compact design suitable for limited spaces
- Angled design for comfortable, easy operation
- Suitable for fresh or saltwater use

V Pump



Product Code	GP0650
Weight	0.26 kg (0.6 lbs)
Hose Connections	Suitable for connection to Whale Quick Connect 15 mm Plumbing 13 mm (1/2") Flexible Hose
Materials	Pump Body: Acetal Pump barrel: Anodized Aluminium Alloy Seals: Nitrile, Neoprene Fasteners: Stainless Steel
Maximum Suction Lift	3 m (10 ft)
Maximum Discharge Head	4 m (13 ft)
Maximum Output per Minute	8 ltrs (2.2 US gals)

Vertical self-priming hand pump

- Ideal for narrow spaces between sinks or where space is limited
- Suitable for pumping freshwater or saltwater
- Various installation options – adjustable height and angled spout
- Smooth flow up to 8 ltrs per minute.

Flipper Pump



Product Code	GP0418
Weight	0.3 kg (0.71 lbs)
Hose Connections	Suitable for 13 mm (1/2") Flexible Hose
Materials	Pump Body: Acetal, Nylon, Polystyrene, Polypropylene LM6 Aluminium Alloy, Brass Seals: Nitrile, Neoprene, Nitrile, ABS Fasteners: Stainless Steel
Maximum Suction Lift	3 m (10 ft)
Maximum Discharge Head	3 m (10 ft)
Maximum Output per Minute	7 ltrs (1.85 US gals)

Self-priming Lever operated hand pump

- Swiveling outlet is ideal for use between two sinks
- Suitable for fresh and saltwater usage
- Easy to use lever with light back and forth pumping action and precise flow control

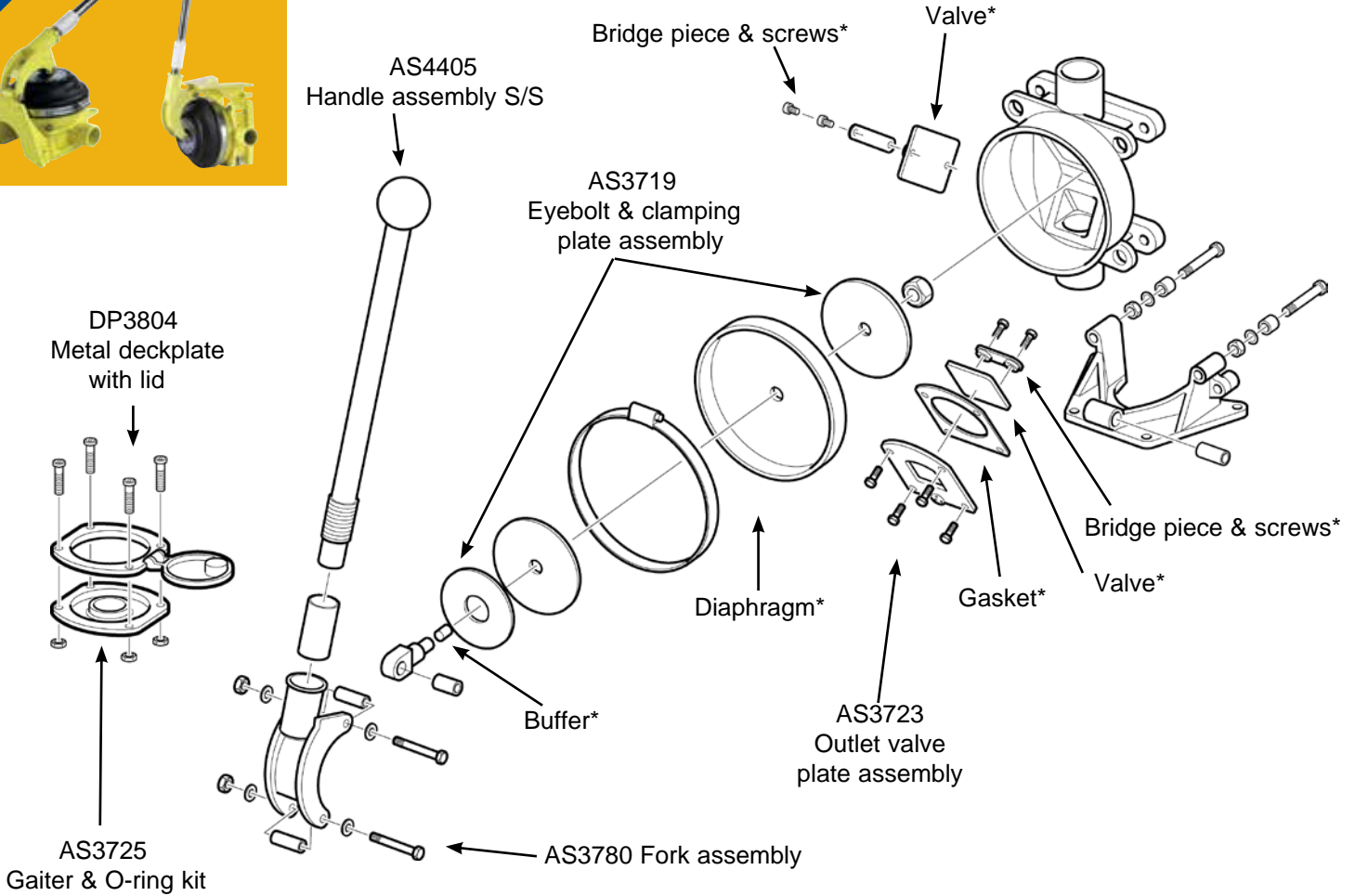


Manual Bilge Pumps

Gusher® 10 Mk 3

On Deck/Bulkhead: BP3708, Thru Deck/Bulkhead: BP3740 - Diecast Alloy Bilge Pump

Note* Contained in Service Kit AK3706 (Neoprene™) or AK3714 (Nitrile®)



Accessories

- DP3804 Alloy Deckplate
- DP8904 Plastic Deckplate with Lid
- AS4405 Spare Handle
- SB4222 Side Entry Strainer
- SB5865 Top Entry Strainer
- SF5425 1 1/2" Skin Fitting
- LV1215 1" / 1 1/2" Non Return Valve
- EB3488 1 1/2" Elbow

Service Kits

- AK3706 Service Kit with Complete Set of Serviceable Parts for Whale Gusher® 10 Mk 2 & Mk 3 Pumps (Neoprene™) (See list below)**
 - AK3714 Service Kit with Complete Set of Serviceable Parts for Whale Gusher® 10 Mk 2 & Mk 3 Pumps (Nitrile®)**
- | Qty | Containing |
|-----|-------------------------|
| 2 | Valve (Mk 2 pump only) |
| 4 | Screw 3/8" |
| 4 | Screw 1/2" |
| 2 | Bridge piece |
| 1 | Diaphragm |
| 1 | Buffer |
| 2 | Valve (Mk 3 pump only) |
| 1 | Gasket (Mk 3 pump only) |

AS3719 Bushed Eyebolt & Clamping Plate Assembly

- | Qty | Containing |
|-----|----------------|
| 2 | Clamping plate |
| 1 | Nut |
| 1 | Fulcrum bush |
| 1 | Eyebolt |
| 1 | Buffer |
| 1 | Label |

AS3780 Fork Assembly

- | Qty | Containing |
|-----|----------------|
| 1 | Fork |
| 1 | Insert fork |
| 2 | Bolt |
| 2 | Fulcrum sleeve |
| 2 | Nut |
| 4 | Washer |
| 2 | Fulcrum bush |



Manual Bilge Pumps

Gusher® 10 Mk 3

On Deck/Bulkhead: BP3708, Thru Deck/Bulkhead: BP3740 -

Diecast Alloy Bilge Pump



AK3706



AK3714



AS3719



AS3723



AS3725



AS3780



AS4405



DP3804



DP8904



SB4222



SB5865



SF5425

Note: Cast body and mounting bracket are not available as service parts.

Service Kits (Continued)

AS3723 Outlet Valve Plate Assembly (Mk 3 only)

Qty	Containing
2	Screw
4	Screw
1	Bridge piece
1	Valve (Mk 3 Pump)
1	Valve plate
1	Gasket

AS3725 Gaiter Kit for Deckplates

Qty	Containing
1	Gaiter (for metal or plastic deckplate)
1	O-ring (for metal deckplate)

Looking for dependable boat pumps & plumbing? Rely on Whale for quality and long-lasting products.