



Manual Bilge and Galley Pumps



**Putting
safety and
reliability first
for 60
years**



The experts in manual pumps

Long history of product quality and customer service

Innovative designs

Up to 5 years warranty – reliability and consistency throughout

Proud to manufacture in the UK

Gusher® 10 Mk 3



Diecast Alloy Bilge Pump

- Robust design for tough conditions
- Designed for instant access and easy maintenance
- High flow non-choke valves
- Bulkhead, floor or thru deck mounting options
- Easy action

| Model | On Deck / Bulkhead | Thru Deck / Bulkhead |
|--|---|----------------------|
| Product Code | BP3708 | BP3740 |
| Weight | 2.3 kg (5 lb) | |
| Hose Connections | 38 mm (1 1/2") Smooth Hose Connections | |
| Materials | Pump Body: Marine Grade LM6 Aluminium Alloy (epoxy coated) Diaphragm: Neoprene (AK3714-Nitrile parts for oil and diesel) Fasteners: Stainless Steel | |
| Materials In Contact With Fluid | Long Life Grade LM6 Aluminium Alloy (epoxy coated), Neoprene, Nitrile, Stainless Steel | |
| Maximum Suction Lift | 4 m (13.5 ft) | |
| Maximum Discharge Head | 4 m (13.5 ft) | |
| Suitable as a primary bilge pump on boats equal to or greater than 12m (40ft) in accordance with ISO150831 | | |
| Performance Data | BP3708 / BP3740 | BP3708 / BP3740 |
| Suction Lift | 1 m (3 ft) | 2 m (6 ft) |
| Discharge Head | 0.5 m (1.5 ft) | 0.5 m (1.5 ft) |
| 45 Strokes per Minute | 41 ltrs (11 US gals) | 41 ltrs (11 US gals) |
| 70 Strokes per Minute | 65 ltrs (17 US gals) | 65 ltrs (17 US gals) |

Gusher® 30



Largest Capacity Diecast Alloy Bilge Pump in the Whale Range

- Double action high capacity bilge pump
- Twin diaphragm pump even continues working if one diaphragm is damaged
- Mounting options include deck/floor, bulkhead and thru deck models.
- Over 117 ltrs (31 US gals) per minute maximum output
- Corrosion resistant, powder coated, die cast aluminum alloy
- MCA, USCG approvals

| Model | On Deck | On Bulkhead | Thru Deck Only |
|--|---|-----------------------|-----------------------|
| Product Code | BP3000 | BP3010 | BP3020 |
| Weight | 5.05 kg (11.1 lb) | | 5.9 kg (13 lb) |
| Hose Connections | 38 mm (1 1/2") Smooth Hose Connections | | |
| Materials | Pump Body: Marine Grade LM6 Aluminium Alloy (epoxy coated) Diaphragm: Neoprene, Brushes: Acetal, Handwheels: Nylon Fasteners: Stainless Steel | | |
| Materials In Contact With Fluid | Grade LM6 Aluminium Alloy (epoxy coated), Neoprene, Stainless Steel | | |
| Maximum Suction lift | 4 m (13.5 ft) | | |
| Maximum Discharge Head | 4 m (13.5 ft) | | |
| Suitable as a primary bilge pump on boats equal to or greater than 12m (40ft) in accordance with ISO150831 | | | |
| Performance Data | BP3000 | BP3010 | BP3020 |
| Suction Lift | 0 m (0 ft) | 1 m (3 ft) | 2 m (6 ft) |
| Discharge Head | 0.5 m (1.5 ft) | 0.5 m (1.5 ft) | 0.5 m (1.5 ft) |
| 45 Strokes per Minute | 75 ltrs (20 US gals) | 71 ltrs (19 US gals) | 71 ltrs (19 US gals) |
| 70 Strokes per Minute | 117 ltrs (31 US gals) | 111 ltrs (29 US gals) | 111 ltrs (29 US gals) |

Gusher® Urchin



| Model | On Deck Fixed Handle | Thru Deck Bulkhead | On Deck Removable Handle |
|--|--|--------------------|--------------------------|
| Product Code | BP9005 | BP9013 | BP9021 |
| Weight | 0.6 kg (1.3lb) | 0.96 kg (2lb) | 0.7 kg (1.5lb) |
| Hose Connections | 25 mm (1") or 38 mm (1 1/2") Smooth Hose Connections | | |
| Materials | Pump Body: Glass-filled Polypropylene, Clamp Ring: Acetal Diaphragm: Neophrane (Nitrile option available) Operating Lever (BP9021 only): Glass-filled Nylon Handle, Springs, Fasteners: Stainless Steel | | |
| Materials In Contact With Fluid | Glass-filled Polypropylene, Nitrile, Neophrane, Stainless Steel | | |
| Maximum Suction Lift | 4 m (13.5 ft) | | |
| Maximum Discharge Head | 3 m (10 ft) | | |
| 25mm (1") Hose connection - Suitable as a primary bilge pump on boats up to 12m (40ft) in accordance with ISO150831 38mm (1 1/2") Hose connection - Suitable as a primary bilge pump on boats equal to or greater than 12m (40ft) in accordance with ISO150831. | | | |

Compact Bilge and Waste Water Transfer Pump

- Compact design is ideal for confined spaces
- Smooth easy action up to 55 ltrs (14.5 US gals) per minute
- Clamp ring easily removed for pump head rotation and quick maintenance
- Three different mounting orientations (deck, bulkhead and thru deck models)
- Dual size nozzles for 25 mm (1") or 38 mm (1 1/2") hose

| Performance Data | BP9005/BP9013/BP9021 | BP9005/BP9013/BP9021 |
|----------------------------|-------------------------|------------------------|
| 25 mm (1") Hose | | |
| Suction Lift | 1 m (3 ft) | 2 m (6 ft) |
| Discharge Head | 0.5 m (1.5 ft) | 0.5 m (1.5 ft) |
| 45 Strokes per Minute | 25 ltrs (7 US gals) | 25 ltrs (7 US gals) |
| 70 Strokes per Minute | 43 ltrs (11.4 US gals) | 40 ltrs (10.6 US gals) |
| 38 mm (1 1/2") Hose | | |
| Suction Lift | 1 m (3 ft) | 2 m (6 ft) |
| Discharge Head | 0.5 m (1.5 ft) | 0.5 m (1.5 ft) |
| 45 Strokes per Minute | 37.5 ltrs (9.9 US gals) | 36 ltrs (9.5 US gals) |
| 70 Strokes per Minute | 55 ltrs (14.5 US gals) | 53 ltrs (14 US gals) |

Gusher® Titan



Powerful Lightweight Bilge and Waste Pump

- High flow rate: 105 ltrs (28 US gals) per minute
- Clamp ring easily removed for pump head rotation and quick maintenance
- Bulkhead and thru deck models

| Model | On Deck | Thru Deck / Bulkhead |
|--|---|----------------------|
| Product Code | BP4402 | BP4410 |
| Weight | 1.5 kg (3.3 lb) | 1.85 kg (4.1 lb) |
| Hose Connections | 38 mm (1 1/2") Smooth Hose Connections | |
| Materials | Pump Body: Glass-filled Polypropylene, Clamp Ring: Acetal Diaphragm and Valves: Neoprene (Nitrile option available) Operating Lever: Glass-filled Nylon Gaiter: EPDM, Fasteners: Stainless Steel | |
| Materials In Contact With Fluid | Glass-filled Polypropylene, Acetal, Neoprene, Nitrile, Stainless Steel | |
| Maximum Suction lift | 4 m (13.5 ft) | |
| Maximum Discharge Head | 4 m (13.5 ft) | |
| Suitable as a primary bilge pump on boats equal to or greater than 12m (40ft) in accordance with ISO150831 | | |
| Performance Data | BP4402 / BP4410 | BP4402 / BP4410 |
| Suction Lift | 1 m (3 ft) | 2 m (6 ft) |
| Discharge Head | 0.5 m (1.5 ft) | 0.5 m (1.5 ft) |
| 45 Strokes per Minute | 67 ltrs (18 US gals) | 65 ltrs (17 US gals) |
| 70 Strokes per Minute | 105 ltrs (28 US gals) | 98 ltrs (26 US gals) |

Compac 50



Low Profile Underdeck Bilge Pump

- Compact design for confined spaces
- Tough, proven, reliable design
- 40 ltrs (10.5 US gals) per minute

| Product Code | | BP0350 |
|--|---|--------|
| Weight | 0.9 kg (2lb) | |
| Hose Connections | 25 mm (1") Smooth Hose Connections | |
| Materials | Pump Body: Glass-filled Polypropylene, Clamp Ring: Acetal Diaphragm, Valves and Seals: Nitrile, Operating Lever: Glass-filled Nylon Gaiter: EPDM, Deck Plate Cover: PBT, Fasteners: Stainless Steel | |
| Materials In Contact With Fluid | Glass-filled Polypropylene, Nitrile, Stainless Steel | |
| Maximum Suction lift | 3 m (10 ft) | |
| Maximum Discharge Head | 4 m (13.5 ft) | |
| Suitable as a primary bilge pump on boats equal to or greater than 12m (40ft) in accordance with ISO150831 | | |
| Performance Data | | |
| Suction Lift | 1 m (3 ft) | |
| Discharge Head | 0.5 m (1.5 ft) | |
| 45 Strokes per Minute | 32 ltrs (9 US gals) | |
| 70 Strokes per Minute | 35 ltrs (9.2 US gals) | |

- Only 120 mm (4 3/4") deep for low profile installation underdeck
- Clamp ring easily removed for head rotation and quick maintenance
- Suitable for pumping bilge water and diesel

Smartbail



Compact Manual Bilge Pump

- Easy and quick to install by one person
- Slim-line, modern design is ideal for confined spaces
- Sleek integrated handle
- Patented diaphragm ensures the pump is easy to use and service

| Product Code | | BP5012 | | | |
|--|---|--------------------------------------|-----------------------------------|--------------------------------------|-------------------------------------|
| Weight | 0.6 kg | | | | |
| Hose Connections | 2 options included: 25 mm (1") ports – qty 2 36 mm (1 1/2") ports – qty 2 | | | | |
| Materials | Pump body: Glass filled polypropylene Inlet and outlet valves: Nitrile Diaphragm: Santoprene® | | | | |
| Materials in contact with Fluid | Glass filled polypropylene, stainless steel, Nitrile, Santoprene® | | | | |
| Suitable as a primary bilge pump on boats equal to or greater than 12m (40ft) in accordance with ISO150831 | | | | | |
| Performance data | | | | | |
| Maximum Head: | | 3 m (9.8 ft) | | | |
| Maximum Lift: | | 3 m (9.8 ft) | | | |
| Maximum combined lift and head: | | 3 m (9.8 ft) | | | |
| Port size | | 25mm (1") | | 38mm (1 1/2") | |
| Lift | Head | 45 strokes/min | 70 strokes/min | 45 strokes/min | 70 strokes/min |
| 0m (0ft) | 0m (0ft) | 38.5 ltrs/min (10.17 US gals/min) | 60 ltrs/min (15.9 US gals/min) | 43.5 ltrs/min (11.5 US gals/min) | 67.7 ltrs/min (17.9 US gals/min) |
| 1m (3ft) | 1m (3ft) | 32.75 ltrs/min (8.7 US gals/min) | 51 ltrs/min (13.5 US gals/min) | 43.5 ltrs/min (11.49 US gals/min) | 67.7 ltrs/min (17.9 US gals/min) |

Easybailer



Hand Pump for Bailing Out

- Portable lightweight design
- Suitable for bilge water or diesel transfer
- Ideal for bailing out small boats, dinghies or kayaks

| Model | Short Barrel Version | Long Barrel Version |
|---|---|-------------------------|
| Product Code | BP1935/BP1955 | BP1935/BP1955 |
| Weight | 0.32 kg (0.7 lb) | 0.4 kg (0.9 lb) |
| Hose Connections | 25 mm (1") Smooth Hose Connections | |
| Materials | Pump Body: ABS, HDPE, Polypropylene, PVC, uPVC Diaphragm: Neoprene, Fasteners: Stainless Steel | |
| Materials in contact with Fluid | ABS, HDPE, Polypropylene, PVC, uPVC, Neoprene, Stainless Steel | |
| Suitable as a primary bilge pump on boats up to 12m (40ft) in accordance with ISO150831 | | |
| Performance Data | BP4402 / BP4410 | BP4402 / BP4410 |
| Suction Lift | 0 m (0 ft) | 1 m (3 ft) |
| Discharge Head | 0.5 m (1.5 ft) | 0.5 m (1.5 ft) |
| 45 Strokes per Minute | 19 ltrs (5 US gals) | 19 ltrs (5 US gals) |
| 70 Strokes per Minute | 31.4 ltrs (8.3 US gals) | 31.4 ltrs (8.3 US gals) |

Gusher Galley



| Product Code | GP0550 | GP0551 |
|---------------------------|--|--------|
| Lever mounting | Right | Left |
| Weight | 0.7 kg (1.5 lbs) | |
| Hose Connections | Suitable for connection to Whale Quick Connect 15 mm Plumbing 13 mm (1/2") Flexible Hose | |
| Materials | Pump Body: Acetal, Nylon Lever: LM6 Aluminium Alloy Diaphragm: Nitrile, Neoprene Fasteners: Stainless Steel | |
| Maximum Suction Lift | 2 m (7 ft) | |
| Maximum Discharge Head | 3 m (10 ft) | |
| Maximum Output per Minute | 15 ltrs (4 US gals) | |

Foot Operated Freshwater Pump

- Low cost freshwater system for faucets and showers
- Suitable for pumping freshwater or saltwater
- Left and right handed versions available
- Ease of installation – multidirectional inlet and outlet hose connections

Tiptoe Pump



Self-Priming Freshwater Foot Pump

- Easy operation and comfortable for bare foot use
- Easy to install thru deck design
- Suitable for fresh or saltwater usage
- Plunger locks down flush with floor for safety when not in use

| Product Code | GP1309 |
|---------------------------|--|
| Weight | 0.4 kg (0.9lbs) |
| Hose Connections | Suitable for 13 mm (1/2") Flexible Hose |
| Materials | Pump Body: Acetal, Nylon, Polypropylene Seals: Nitrile, Neoprene, Phosphor Bronze Fasteners: Stainless Steel |
| Maximum Suction Lift | 2 m (7 ft) |
| Maximum Discharge Head | 4 m (12 ft) |
| Maximum Output per Minute | 7 ltrs (1.85 US gals) |

Babyfoot® Pump



| Product Code | GP4618 |
|---------------------------|---|
| Weight | 0.3 kg (0.7 lbs) |
| Hose Connections | Suitable for 13 mm (1/2") Flexible Hose |
| Materials | Pump Body: Nylon Ports: Acetal Seals: Neoprene Fasteners: Stainless Steel, Phosphor Bronze |
| Maximum Suction Lift | 1.5 m (5 ft) |
| Maximum Discharge Head | 3 m (10 ft) |
| Maximum Output per Minute | 8 ltrs (2.2 US gals) |

Self-Priming Compact Freshwater Foot Pump

- Easy to install compact design suitable for limited spaces
- Angled design for comfortable, easy operation
- Suitable for fresh or saltwater use

V Pump



| Product Code | GP0650 |
|---------------------------|--|
| Weight | 0.26 kg (0.6 lbs) |
| Hose Connections | Suitable for connection to Whale Quick Connect 15 mm Plumbing 13 mm (1/2") Flexible Hose |
| Materials | Pump Body: Acetal Pump barrel: Anodized Aluminium Alloy Seals: Nitrile, Neoprene Fasteners: Stainless Steel |
| Maximum Suction Lift | 3 m (10 ft) |
| Maximum Discharge Head | 4 m (13 ft) |
| Maximum Output per Minute | 8 ltrs (2.2 US gals) |

Vertical self-priming hand pump

- Ideal for narrow spaces between sinks or where space is limited
- Suitable for pumping freshwater or saltwater
- Various installation options – adjustable height and angled spout
- Smooth flow up to 8 ltrs per minute.

Flipper Pump



| Product Code | GP0418 |
|---------------------------|---|
| Weight | 0.3 kg (0.71 lbs) |
| Hose Connections | Suitable for 13 mm (1/2") Flexible Hose |
| Materials | Pump Body: Acetal, Nylon, Polystyrene, Polypropylene LM6 Aluminium Alloy, Brass Seals: Nitrile, Neoprene, Nitrile, ABS Fasteners: Stainless Steel |
| Maximum Suction Lift | 3 m (10 ft) |
| Maximum Discharge Head | 3 m (10 ft) |
| Maximum Output per Minute | 7 ltrs (1.85 US gals) |

Self-priming Lever operated hand pump

- Swiveling outlet is ideal for use between two sinks
- Suitable for fresh and saltwater usage
- Easy to use lever with light back and forth pumping action and precise flow control

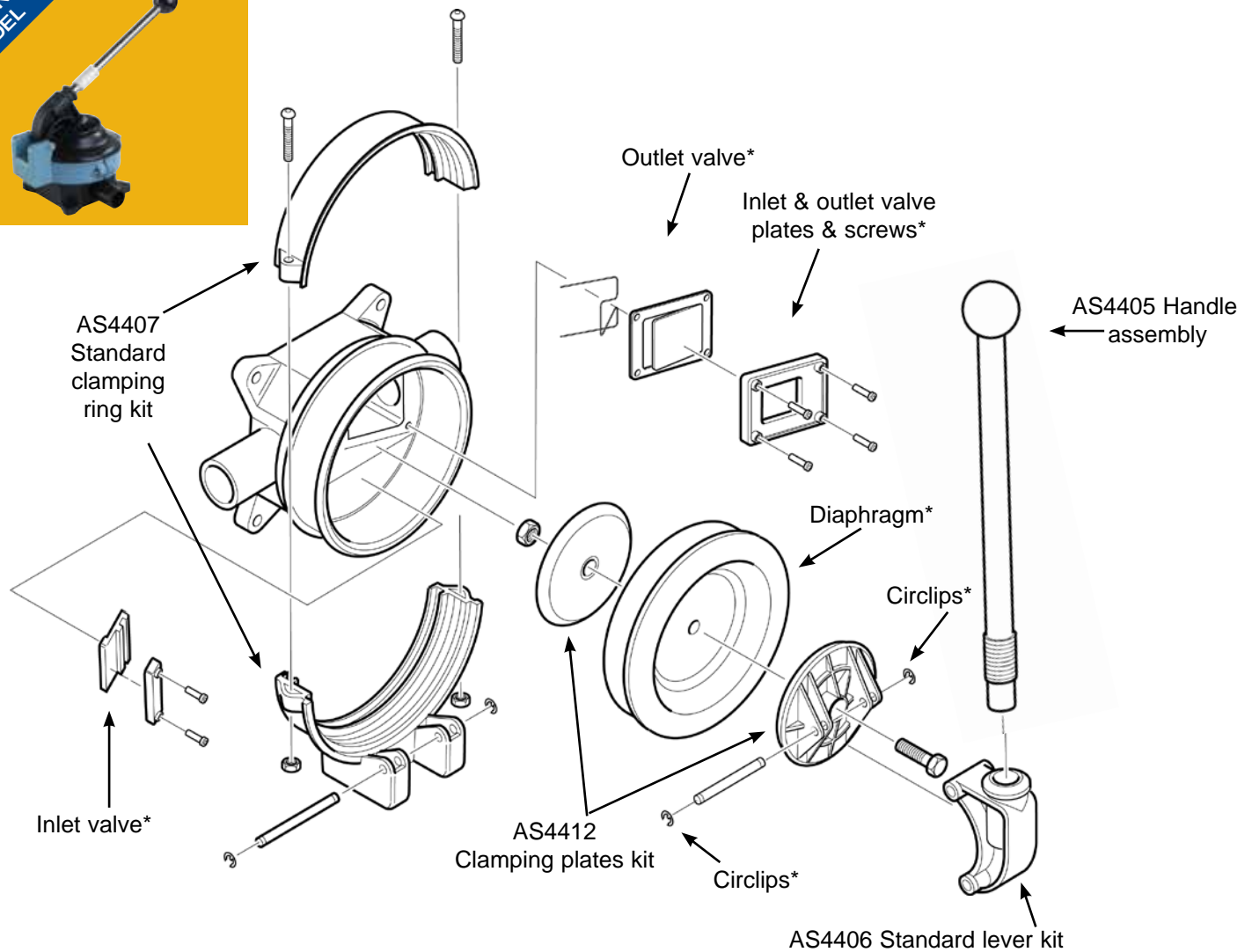


Manual Bilge Pumps

Gusher® Titan Standard

On Deck/Bulkhead: BP4402 - Powerful Lightweight Bilge and Waste Pump

Note* Contained in Service Kit AK4400 (Neoprene™) or AK4419 (Nitrile®)



Accessories

- AS4405 Spare Handle
- SB4222 Side Entry Strainer
- SB5865 Top Entry Strainer
- SF5425 1 1/2" Skin Fitting
- LV1215 1" / 1 1/2" Non-return Valve
- EB3488 1 1/2" Elbow

Service Kits (for On Deck/Bulkhead Model BP4402)

AK4400 Service Kit with Complete Set of Serviceable Parts for Gusher® Titan (Neoprene™)

| Qty | Containing |
|-----|---------------------|
| 4 | Circlip |
| 6 | Screw |
| 1 | Outlet valve spring |

| | |
|---|--------------------|
| 1 | Clamping nut |
| 1 | Outlet valve plate |
| 1 | Inlet valve plate |
| 1 | Outlet valve |
| 1 | Inlet valve |
| 1 | Diaphragm |

AK4419 Service Kit with Complete Set of Serviceable Parts for Gusher® Titan (Nitrile®)

| Qty | Containing |
|-----|---------------------|
| 4 | Circlip |
| 6 | Screw |
| 1 | Outlet valve spring |
| 1 | Clamping nut |
| 1 | Outlet valve plate |
| 1 | Inlet valve plate |
| 1 | Outlet valve |
| 1 | Inlet valve |
| 1 | Diaphragm |

AS4406 Standard Lever kit

| Qty | Containing |
|-----|--------------------------|
| 4 | Circlip |
| 1 | Standard operating lever |
| 1 | Lever fulcrum pin |
| 1 | Standard fulcrum pin |

AS4407 Standard Clamping Ring Kit

| Qty | Containing |
|-----|----------------------|
| 2 | Nut |
| 2 | Screw |
| 1 | Top clamping ring |
| 1 | Bottom clamping ring |
| 4 | Circlip |

AS4412 Clamping Plates Kit

| Qty | Containing | | |
|-----|----------------------|---|----------------------|
| 1 | Clamping bolt | 1 | Inner clamping plate |
| 1 | Clamping nut | 4 | Circlip |
| 1 | Outer clamping plate | | |

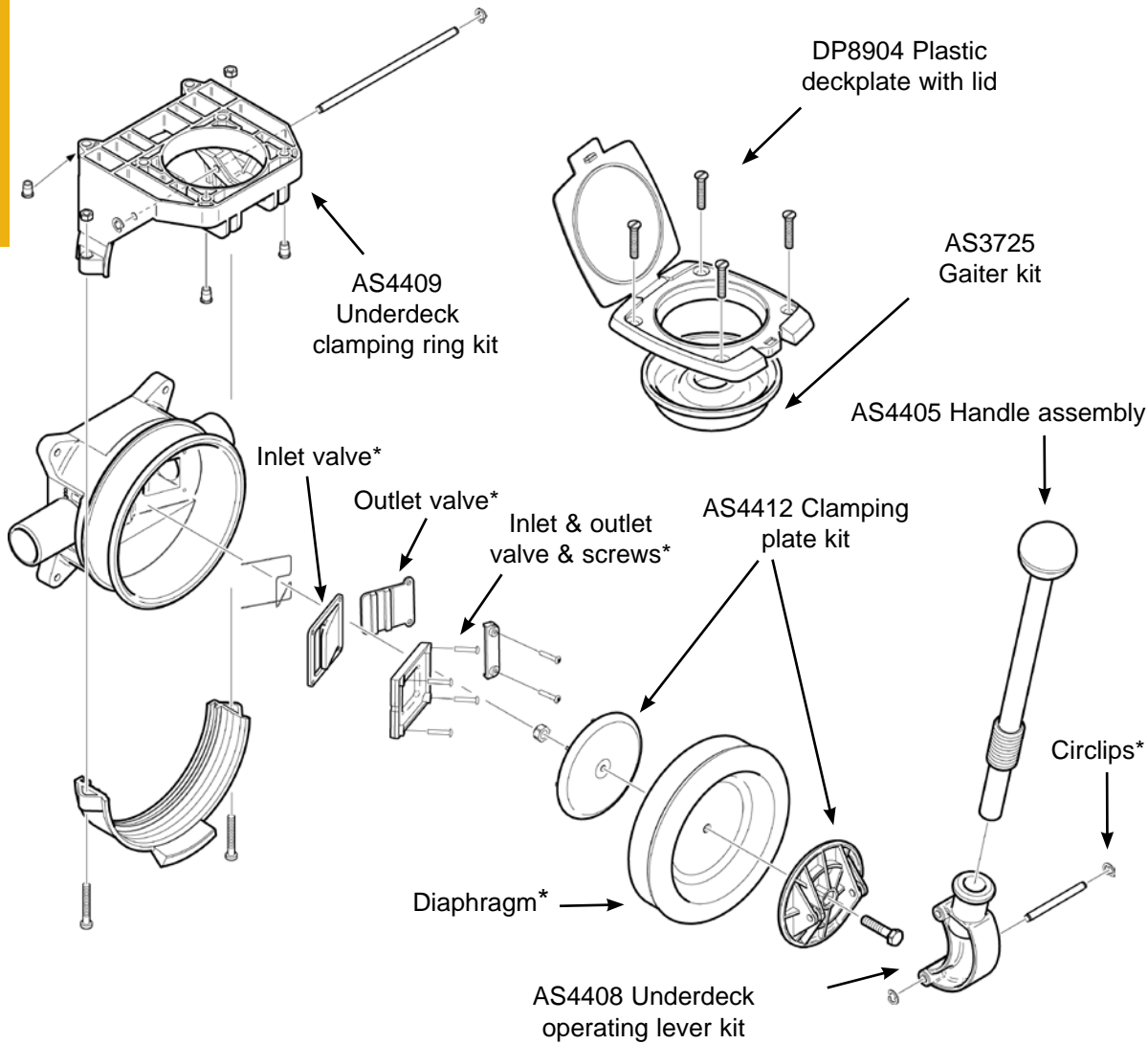


Manual Bilge Pumps

Gusher® Titan Underdeck

Underdeck: BP4410 - Powerful Lightweight Bilge and Waste Pump

Note* Contained in Service Kit AK4400 (Neoprene™) or AK4419 (Nitrile®)



Accessories

DP8904 Plastic Deckplate Kit

AS4405 Spare Handle

SB4222 Side Entry Strainer

SB5865 Top Entry Strainer

SF5425 1 1/2" Skin Fitting

LV1215 1" / 1 1/2" Non Return Valve

EB3488 1 1/2" Elbow

Service Kits

(for Underdeck Model BP4410)

AK4400 Service Kit with Complete Set of Parts for Gusher® Titan (Neoprene™)
(See list below)

AK4419 Service Kit with Complete Set of Parts for Gusher® Titan (Nitrile®)

| Qty | Containing |
|-----|---------------------|
| 4 | Circlip |
| 6 | Screw |
| 1 | Outlet valve spring |
| 1 | Clamping nut |
| 1 | Outlet valve plate |
| 1 | Inlet valve plate |
| 1 | Outlet valve |
| 1 | Inlet valve |
| 1 | Diaphragm |

AS4408 Underdeck Operating Lever Kit

| Qty | Containing |
|-----|---------------------|
| 4 | Circlip |
| 1 | U/D operating lever |
| 1 | U/D fulcrum pin |
| 1 | Lever fulcrum pin |

AS3725 Gaiter Kit for Deckplates

| Qty | Containing |
|-----|---|
| 1 | Gaiter (for plastic or metal deckplate) |
| 1 | O-ring (for metal deckplate Whale Gusher® 10 & Whale Gusher® 30 only) |



Manual Bilge Pumps

Gusher® Titan

On Deck/Bulkhead: BP4402

Underdeck: BP4410



AK4400



AK4419



AS3725



AS4405



AS4406 for BP4402



AS4407 for BP4402



AS4408 for BP4410



AS4409 for BP4410



AS4412



DP8904



SB4222 / SB5865



SF5425

Service Kits (Continued)

DP8904 Plastic Deckplate with Lid

| Qty | Containing |
|-----|-----------------|
| 1 | Deckplate & lid |
| 1 | Gaiter |
| 6 | Screws M6x40 |
| 6 | Nuts M6 |
| 6 | Washers M6 |

AS4412 Clamping Plate Kit

| Qty | Containing |
|-----|----------------------|
| 1 | Clamping bolt |
| 1 | Clamping nut |
| 1 | Outer clamping plate |
| 1 | Inner clamping plate |
| 4 | Circlip |

AS4409 Underdeck Clamping Ring Kit

| Qty | Containing |
|-----|-------------------------------|
| 2 | Nut |
| 4 | Circlip |
| 4 | Inserts for U/D clamping ring |
| 2 | Screw |
| 1 | U/D clamping ring |
| 1 | Top clamping ring |