



**Whale Twist™** Deck Shower

Thank you for purchasing this Whale product.

For over 70 years Whale has led the way in the design and manufacture of freshwater and waste systems including:- plumbing, faucets, showers and pumps for low voltage applications. The company and its products have built a reputation for quality, reliability and innovation backed up by excellent customer service.

## 1. SPECIFICATION

Model	Model Type	Colour	Holder (Material)	Hose Size	
DS0003B	Mixer	Blue and white	Straight (chrome)	2.5m (8.2ft)	
DS0004B			Angled (white)		
DS0005	Cold Only	Grey and white	Straight (chrome) and Angled (white)	2.1m (6.9ft)	
DS0006	Mixer			2.5m (8.2ft)	
DS0013B			Straight (chrome)		
DS0014B			Angled (white)		
DS0211B	Cold Only		Black and white	Straight (chrome)	2.1m (6.9ft)
DS0212B				Angled (white)	
DS0213B		Angled (black)			
DS0411B	Mixer	Grey and white	Straight (chrome)	4m (13.1ft)	
DS0412B			Angled (white)		
DS0413B			Straight (chrome)		
DS0414B			Angled (white)		

## 2. CONTENTS

- 1.
2. Contents
3. To the User
4. To the Fitter
5. Principles of Operation
6. Application
7. Warnings
8. Parts list: Straight Housing Option
9. Installation: Straight Housing Option
10. Parts list: Angled Housing Option
11. Installation: Angled Housing Option
12. Plumbing - All models
13. Maintenance
14. Instructions for use
15. Trouble Shooting
16. Winterizing
17. Service Support Details
18. Patents and Trademarks

## List of diagrams

Fig 1 Straight Housing - Complete product	Fig 10 Angled Housing - Tighten screws
Fig 2 Straight Housing - Width and height	Fig 11 Angled Housing - Screw covers
Fig 3 Straight Housing - Drill hole	Fig 12 Angled Housing - Insert hose
Fig 4a Straight Housing - Insert housing	Fig 13a Plumbing - Mixer models
Fig 4b Straight Housing - Secure locking nut	Fig 13b Fitting plumbing – Mixer models
Fig 5 Straight Housing - Insert hose	Fig 14 Plumbing and hose installed
Fig 6 Angled Housing - Complete product	Fig 15 Plumbing connection - Cold models
Fig 7 Angled Housing - Width and height	Fig 16 Maintenance - mixer models
Fig 8 Angled Housing - Drill hole	Fig 17 Operation - Removing handset
Fig 9 Angled Housing - Insert housing	Fig 18 Operation - Twist handset

## 3. TO THE USER

Read the following carefully before installation

**WARNING:** Please note that incorrect installation may invalidate the warranty.

## 4. TO THE FITTER

Check that the product is suitable for the intended application, follow installation instructions and ensure all relevant personnel read the points listed below. Also ensure that these installation instructions are passed on to the end user.

## 5. PRINCIPLES OF OPERATION

The Whale Twist® Deck Shower has a unique innovative handset with temperature

lines of the boat deck. All Whale Twist® models require only a single circular hole to be cut and simple plumbing to install.

## 6. APPLICATION

The Whale T

surfaces on the deck or transom of recreational marine vessels or vehicles. If it is intended for use for any other purpose or with any other liquid, it is the user's responsibility to ensure that the shower is suitable for the intended use and, in particular, that the materials are fully compatible with the liquids to be used.

## 7. WARNINGS

Temperature Settings – To prevent scalding (regardless of the water heating method or the control devices used), the temperature for the hot water supplied to the faucets and showers should be controlled in the range of 43 °C to 60 °C (110 °F to 140 °F) with a fail safe set at 82 °C (180 °F).



**CAUTION:** Ideally, the showering temperature should be set at 38 °C (100 °F) for health and safety reasons, higher settings will increase the risk of scald injury. Those at greatest risk of scald injury include children, the elderly, disabled, and diabetics.

**WARNING:** The Whale Twist® Deck Shower is not suitable for domestic applications.

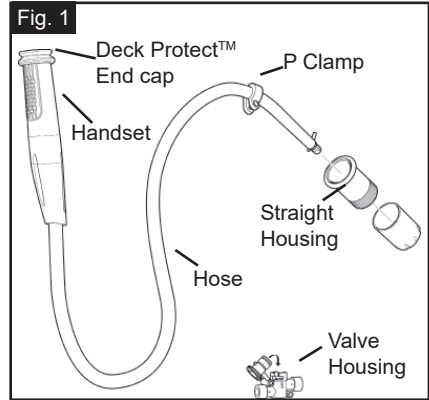
## 8. PARTS LIST - STRAIGHT HOUSING OPTIONS

### MIXER VERSION

- 1 Handset and hose with p clamp (screw incl.)
- 1 Straight housing
- 1 Locking nut
- 1 Valve housing with temporary shut off valve attached (includes 2 retaining screws)
- 2 WX1532B - adaptor 1/2" BSP female (supplied with retail models only)

### COLD ONLY VERSION

- 1 Handset and hose with p clamp (screw incl.)
- 1 Straight housing
- 1 Locking nut
- 1 WX1532B - adaptor 1/2" BSP female



## 9. INSTALLATION - STRAIGHT HOUSING OPTIONS

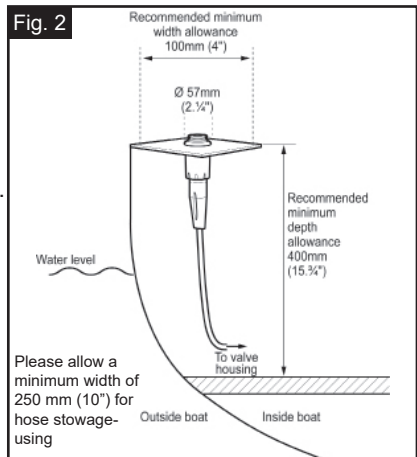
**STEP 1** Choose a suitable location for the shower to be installed. The unique

horizontal or angled plane. Ensure

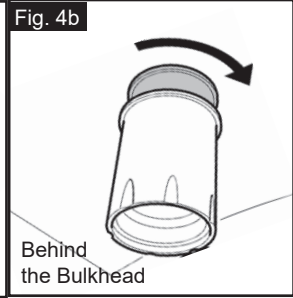
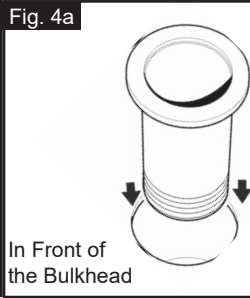
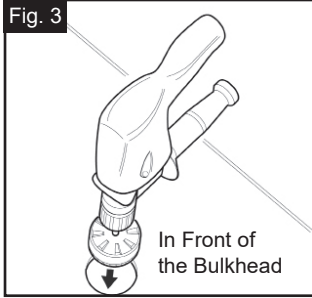
for the handset and hose when stowed. (See Fig. 2). Ensure that the plumbing connections and p clamp are mounted as close as possible to the handset housing to ensure maximum usable hose length.

**Please note:** Before installing, ensure that

when stowed. Also ensure that it is free from obstructions when pulled out.



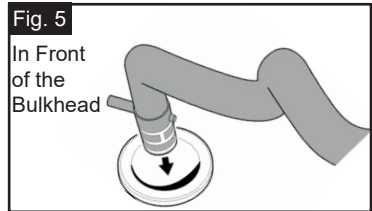
**STEP 2.** Allowing for the height and width restrictions indicated in Fig. 2, drill one 50mm (2") diameter circular hole in the bulkhead above the water line. (See Fig. 3) Please note: minimum mounting surface thickness: 3mm (1/8"); maximum mounting surface thickness 19mm (3/4").



**STEP 3** Place the housing through the hole. Secure by hand tightening the lock nut onto the housing behind the bulkhead. (See Fig. 4a and 4b)

**STEP 4** Feed the hose down through the housing until the handset is in place. (See Fig. 5)

Please refer to section 8 for plumbing details.



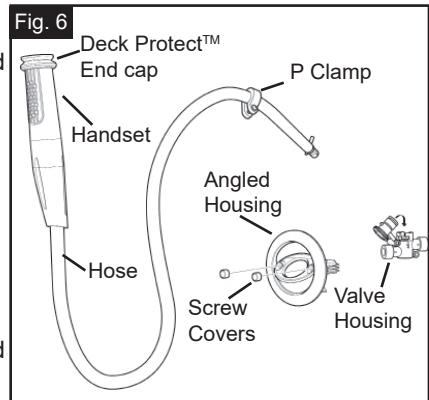
## 10. PARTS LIST - ANGLED HOUSING OPTIONS

### MIXER VERSION

- 1 Handset and hose with p clamp (screw incl.)
- 1 Angled housing (with 3 support rings supplied - black, red, and blue)
- 2 Screw covers
- 1 Valve housing with temporary shut off valve attached (includes 2 retaining screws)
- 2 WX1532B - adaptor 1/2" BSP female (supplied with retail models only)

### COLD ONLY VERSION

- 1 Handset and hose with p clamp (screw incl.)
- 1 Angled housing (with 3 support rings supplied - black, red, and blue)
- 1 Screw covers
- 1 WX1532B - adaptor 1/2" BSP female



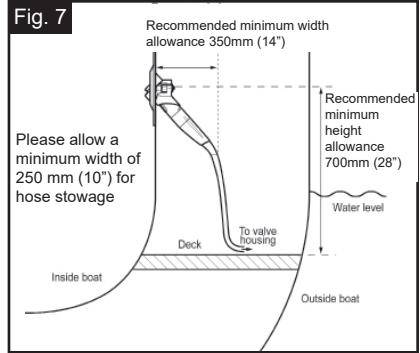
# 11. INSTALLATION - ANGLED HOUSING

**STEP 1.** Choose a suitable location for the shower to be installed. The unique

surface.

**Note** Maximum curvature = 1 m (3ft 3") radius.

allow for the handset and hose when stowed. (See Fig. 7). Ensure that the plumbing connections and p clamp are mounted as close as possible to the handset housing to ensure maximum usable hose length.

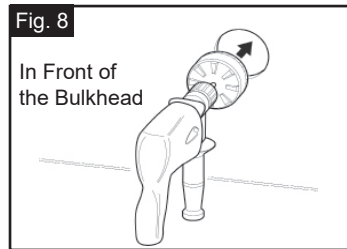


**Please note:**

hose when stowed. Also ensure that it is free from obstructions when pulled out.

**STEP 2,** Drill one 89mm (3 1/2") diameter circular water line).

Minimum bulkhead thickness = 6mm (1/4")  
 Maximum bulkhead thickness = 12mm (1/2")  
 (See Fig. 8)



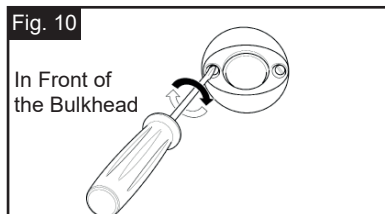
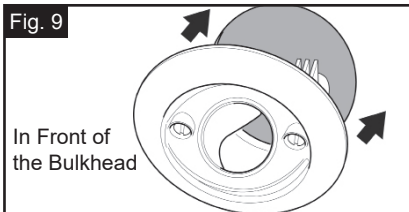
**STEP 3. T**

should be loosened until almost disengaged from the threaded part.

**STEP 4.** Ensure the black coloured support ring is in place behind the housing. If the housing is to be placed on a curved surface replace this with the appropriate support ring as outlined below:

On a Flat Surface	Use black ring attached to Angled Housing
On a Slightly Curved Surface - radius greater than 10 metres (33 ft)	Use the blue support ring
On a Very Curved Surface Between 10m (33 ft) and 1m (3 ft 3") radius	Use the red support ring

**Note** If replacing the support ring with the blue or red rings; ensure that the ring is

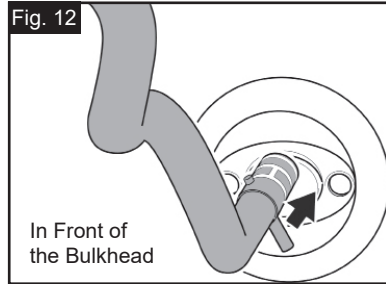
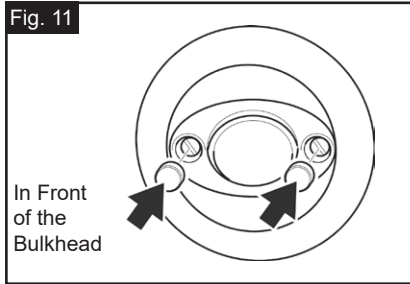


**STEP 5.** Place the housing through the hole (Fig. 9). Install by tightening the 2 screws

(Fig.10) i.e. touching at all points around the circumference. Ensure that the screw holes are on a horizontal plane.

**CAUTION:** Do not over-tighten.

**STEP 6.** Press the plastic covers into screw holes by hand. (See Fig. 11)



**STEP 7.**

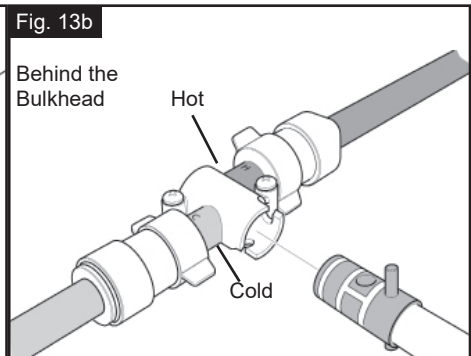
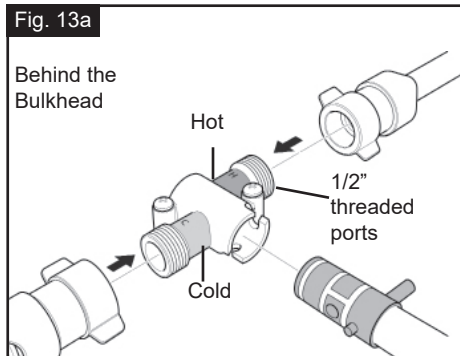
Feed the hose down through the housing until the handset is in place. (See Fig. 12) Please refer to section 8 for plumbing details.

## 12. PLUMBING

### PLUMBING PREPARATION

**STEP 1** Turn off electrics, open all faucets and showers (hot and cold) to depressurize the system and remove the existing shower.

**STEP 2** Prepare hot and cold plumbing lines to have appropriate connections to 1/2" threaded valve housing ports (See Fig. 13a).



### PLUMBING - MIXER MODELS

Models DS0003B, DS0004B, DS0013B, DS0014B, DS0413B, DS0414B DS0006).

**STEP 1** Secure the valve housing using a number 2 pozi screwdriver to tighten the screws provided.

**Note** The valve should be installed as close to the housing as possible. Space must also be allowed for the handset hose to be easily pulled out for showering and replaced for stowage (See Fig. 2/ Fig. 7).

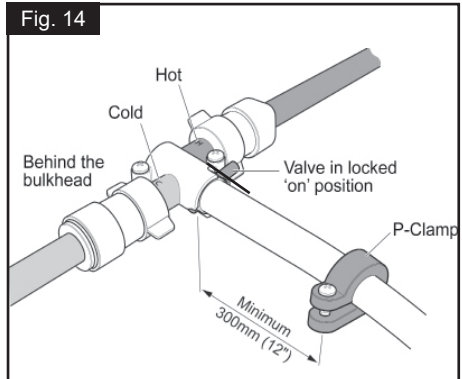
**Note** In order to securely fasten the unit, ensure that the valve mounting surface is a minimum thickness of 19mm (3/4”).

**STEP 2** Connect hot and cold plumbing into 1/2” threaded ports. If attaching to Whale retail packed models only, available separately for bulk packed models). (See Fig. 13a and b).

**STEP 3** Attach the shower hose to the valve housing. Push in with long stem entering the slot and then rotate clockwise by 30 degrees to the locked 'on' position (See Fig. 14).

**Note** Ensure the hose is fully pushed in for a secure connection.

**STEP 4.** Screw p clamp to bulkhead ensuring it is located at least 300 mm (12”) from the valve housing (See Fig. 14)



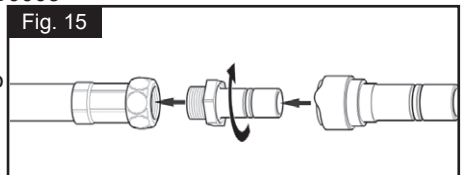
**Note** In order to securely fasten the unit, ensure that the p clamp mounting surface is at least 19mm (3/4”) minimum thickness.

**STEP 5** Close all the faucets and showers. Then turn on the water pump and check all the connections are dry. Test Whale Twist® operation (See section 10).

## PLUMBING – COLD ONLY MODELS

Models: DS0211B, DS0212B, DS0213B, DS0005

**STEP 1** Connect shower hose to plumbing - (See Fig. 15). Connects directly to Quick Connect Plumbing, use WU1215 (included).



**STEP 2** Screw p clamp to bulkhead ensuring it is located at least 300 mm (12”) from the valve housing (See Fig. 14).

**Note** In order to securely fasten the unit, ensure that the p clamp mounting surface is at least 19mm (3/4”) minimum thickness.

**STEP 3** Close all the faucets and showers, turn on the water pump and check all the connections are dry. Test Whale Twist® operation (See section 14).



## 13. MAINTENANCE

### For all Whale Twist® models

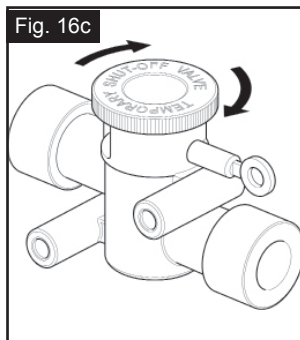
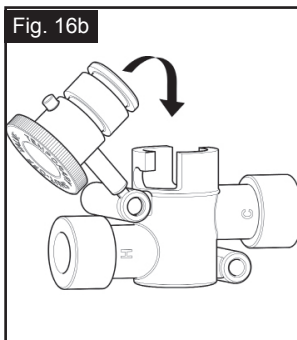
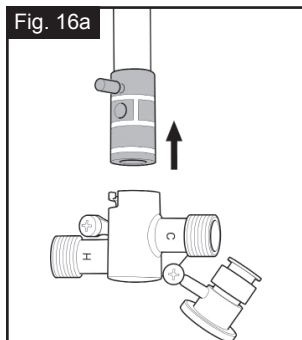
Clean housing and handset with warm soapy water.

Do not use any chemical cleaning agents.

Regular inspection of plumbing connections and tubing is recommended.

### For Mixer Models

If you need to remove the handset and hose for replacement, remove the unit at the valve housing and insert the temporary shut off valve as shown. (See Fig. 16a, 16b and 16c). This allows you to use the freshwater system until the new hose is installed.

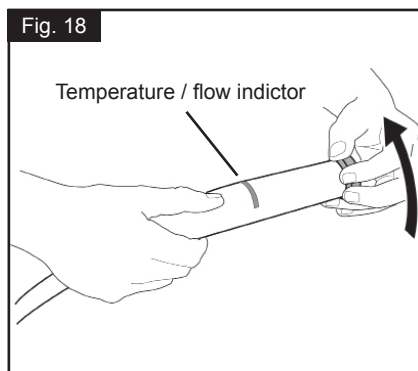
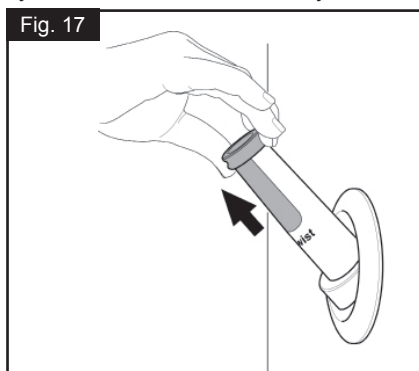


## 14. INSTRUCTIONS FOR USE

**STEP 1** Pull handset gently from the housing. (See Fig. 17)

**STEP 2** Set flow / temperature. (Temperature settings do not apply for cold only models). Twist handset to desired flow / temperature setting. (See Fig. 18)

**CAUTION:** For health and safety reasons, temperature should be set at 38°C (100 °F). Higher settings will increase the risk of scald injury. Those at greatest risk of scald injury include children, the elderly, disabled, and diabetics.



**STEP 3** Enjoy showering.

**After Use**

**STEP 1** Twist upper part of handset to the 'off' position.

**Note:** Ensure handset is fully closed before stowage.

**STEP 2** Replace handset in holder.

## 15. TROUBLESHOOTING

PROBLEM	POSSIBLE CAUSE	POSSIBLE SOLUTION
Limited	Blocked shower nozzles	Check for any blockages in the handset. Clean head with warm soapy water (do not use any chemical cleaning agents)
	Pump may not be operating. Valve housing is not in 'On' position	Check pump is operating. Check valve housing is in locked 'on' position (See Fig. 14)

## 16. WINTERIZING

Freezing in winter may cause damage to the Whale Twist® Deck Shower.

To avoid this damage, ensure the system is completely drained.

1. Drain the fresh water tank either using the pump or a drain valve.
2. Turn pump on and open all faucets (including drain valve) and allow the pump to purge the water from the system.
3. Open the Whale Twist® Deck Shower until water flow stops.
4. Turn off Whale Twist® Deck Shower.
5. Turn off power isolator switch for water pump.
6. **Remember to leave all outlets open except Whale Twist® Deck Shower to avoid any damage.**

## 18. PATENTS AND TRADEMARKS

WHALE®, WHALE TWIST® and DECK PROTECT® are trade marks of Munster Simms Engineering Limited (also trading as Whale Seaward Inc).

The Whale Twist® Deck Shower is protected by the following patent and design registration applications:

USA Patent number: 0621530.5  
European Patent number: 07119601.8  
Norway Patent number: 0621530.5  
New Zealand Patent number: 562931

Australian Patent number: 2007231705  
USA Patent number: 11/814640  
UK Patent number: 0711496.0  
UK Patent number: 0719338.6

### **Design Registration:**

European: 000760632.0001  
European: 760632  
European: 000305957  
Australian: 21517/2007  
Australian: 21518/2007

Canadian: 124293  
Canadian: 124924  
USA: 29/299,514  
USA: 29/299,515