



Whale Twist™ Deck Shower

NEW



A Radical Innovation in Deck Showers

Putting control in your hands

Unique Integrated Handset

- Incorporates temperature and flow controls
- Easy to use-streamlined ergonomic design
- High quality UV resistant ASA materials

No Lids or Covers

- Deck Protect™ End Cap creates a splash-proof seal

Ease of Installation

- Compact unobtrusive housing
- Only one circular hole to cut and simple plumbing connection

Mounts in Convenient Locations

- Housing options offer a choice of horizontal or vertical mounting on a flat or curved surface

Colour options available



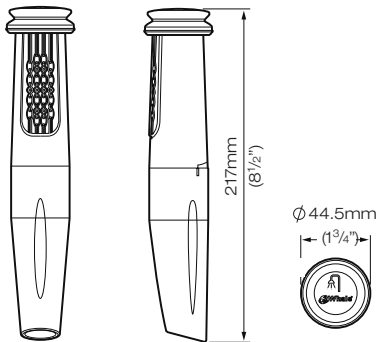
Blue / White Models



Pale Grey / White Models

Whale®
Twist™
Putting control in your hands

Whale Twist™ Handset



WHALE TWIST™ MODELS AVAILABLE

Product Code	Description
DS0001B	Whale Twist™ Deck Shower Cold only handset (blue and white) with straight housing (chrome) 2.5 m (8.2 ft) hose
DS0002B	Whale Twist™ Deck Shower Cold only handset (blue and white) with angled housing (white) 2.5 m (8.2 ft) hose
DS0003B	Whale Twist™ Deck Shower Mixer handset (blue and white) with straight housing (chrome) 2.5 m (8.2 ft) hose
DS0004B	Whale Twist™ Deck Shower Mixer handset (blue and white) with angled housing (white) 2.5 m (8.2 ft) hose
DS0011B	Whale Twist™ Deck Shower Cold only handset (pale grey and white) with straight housing (chrome) 2.5 m (8.2 ft) hose
DS0012B	Whale Twist™ Deck Shower Cold only handset (pale grey and white) with angled housing (white) 2.5 m (8.2 ft) hose
DS0013B	Whale Twist™ Deck Shower Mixer handset (pale grey and white) with straight housing (chrome) 2.5 m (8.2 ft) hose
DS0014B	Whale Twist™ Deck Shower Mixer handset (pale grey and white) with angled housing (white) 2.5 m (8.2 ft) hose
DS0411B	Whale Twist™ Deck Shower Cold only handset (pale grey and white) with straight housing (chrome) 4 m (13.1 ft) hose
DS0412B	Whale Twist™ Deck Shower Cold only handset (pale grey and white) with angled housing (white) 4 m (13.1 ft) hose
DS0413B	Whale Twist™ Deck Shower Mixer handset (pale grey and white) with straight housing (chrome) 4 m (13.1 ft) hose
DS0414B	Whale Twist™ Deck Shower Mixer handset (pale grey and white) with angled housing (white) 4 m (13.1 ft) hose

Note: These Whale Twist™ Deck Shower Models are bulk packed in outer carton quantities of 5

Ease of installation

The new Whale Twist™ Deck Shower is quick and easy to install. It is available with either a chrome straight housing, or a white angled housing, both of which require only a single circular hole to be drilled.

Plumbing

All Whale Twist™ Deck Shower models are easy to plumb. Mixer models include a shut off valve as standard.

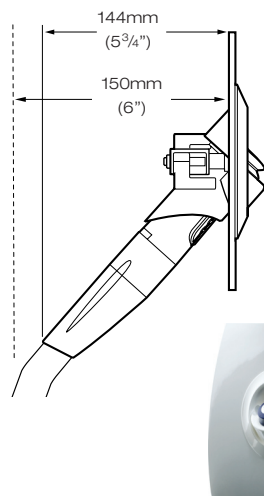
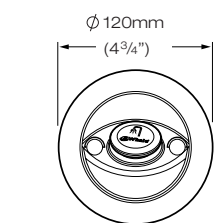
Aesthetics

The Whale Twist™ Deck Shower is also available in a choice of either blue and white or pale grey and white colour combinations, with a chromed end cap and white 2.5 m (8.2 ft) or 4 m (13.1 ft) length hose both as standard.

Whale's policy is one of continuous improvement and we reserve the right to change specifications without prior notice. WHALE™, WHALE TWIST™ and DECK PROTECT™ are trade marks of Munster Simms Engineering Limited (also trading as Whale Water Systems).

MODEL	WHALE TWIST™ DECK SHOWER
Weight	130 g (0.3 lbs)
Hose Length	2.5 m (8.2 ft) / 4 m (13.1 ft)
Hose Connections	1/2" threaded connections
Materials	<p>Body -ASA</p> <p>Internal parts -TPE, Nitrile, POM</p> <p>Hose - Reinforced Polyurethane,</p> <p>Hose connections - POM and Nitrile,</p> <p>Straight Housing - Chromed ABS, glass-filled Polypropylene and Nitrile,</p> <p>Angled Housing - ASA</p> <p>End Cap - Chromed ABS,</p> <p>Screws and Hose Clips - Stainless Steel</p>

Angled Housing Option



Straight Housing Option

