



## Elegance Taps & Showers

### INSTALLATION & USER INSTRUCTIONS

Thank you for purchasing this Whale product.

For over 60 years, Whale has led the way in the design and manufacture of freshwater and waste systems including: pumps, plumbing faucets, showers for low voltage applications. The company and its products have built a reputation for quality, reliability and innovation backed up by excellent customer service.

### SPECIFICATION

Product Codes	RT1010, RT2007, RT2010, RT2500
Voltage	12 V d.c. and 24 V d.c.
Recommended Fuse Size	5 Amp
Weight	Variable 0.195 - 0.450kg
Materials	Body: ABS, Spout: and Valves: Acetal, Seals: Neoprene
Accessories (available separately)	Marine Accessories: RT1270B Wall bracket  RV Accessories: AS5133 Replacement handset ½" BSP AS5146 Replacement hose assembly 1.7m
Service Kits (available separately)	AK5030 Tap / Shower service kit AS5122 Tap / Shower upgrade kit - white AS5123 Combo handset - white AS5020 Elegance short outlet - white AS5125 Elegance long outlet - white AS5145 Shower hose kit - white AS5147 Shower hose 2.1m - white AS5149 Shower hose connection service kit - white AS5623 Combo handset - beige AS5625 Elegance long spout - beige AS5089 Elbow single tape service kit AS5626 Tap / shower upgrade kit - beige AS5146 Shower hose (½" BSP) - white AS5148 Hose for Swim'n'rinse AS5645 Shower hose kit - beige AS5649 Shower hose connector - beige
Operating Temp Range	3 to 60°C
Storage Temp Range	-40 to 60°C

Whale's policy is one of continuous improvement and we reserve the right to change specifications without prior notice.

## CONTENTS

1. Principles of Operation
2. Application
3. Warnings
4. Parts List
5. Optional Extras
6. Installation
7. Maintenance
8. Helpful Hints
9. Winterising
10. Service Support Details
11. Patents and Trademarks
12. Warranty

### 1. PRINCIPLES OF OPERATION

Elegance faucets are designed for use in low voltage mobile applications such as boats, caravans and motorhomes.

READ CAREFULLY BEFORE INSTALLATION AND USE

#### To the Fitter:

Check that the product is suitable for the intended application, follow these installation instructions and ensure all relevant personnel read the points listed below. Also ensure that these operating instructions are passed on to the end user and it is the user's responsibility to ensure that the materials are fully compatible with the liquids to be used and that a system of safe working practice is applied to installation use and maintenance.

#### To the User:

Please read the following carefully before installation.

### 2. APPLICATION

Elegance taps or shower units are intended for use in low voltage fresh water systems in boats, caravans and motorhomes. Use for any other purpose or with any other liquid is entirely at the users' risk.

### 3. WARNINGS



WARNING

- Elegance faucets and showers **are not** suitable for installation in domestic appliances. Before starting to install this product, ensure that a system of safe working practice is applied to the installation and maintenance. **Ensure the electric supply is turned off before commencing installation.**
- Fire hazard – Wiring **MUST** comply with applicable electrical standards and include a properly sized fuse or circuit breaker. Improper wiring can cause fire resulting in injury or death. Suggested wiring information is given as a guide only, wiring must be carried out by a competent person.

### 4. PARTS LIST

Faucets, screws and screw caps.

### 5. OPTIONAL EXTRAS

WF1230: Water filter 12mm, and WF1250, Water filter 15mm, are available separately.  
Tap / Shower replacement kit (with 2 knobs and spindles) - AS5122 (white) and AS5626 (beige).

Inline water filters:

WF1230 - water filter 12mm connections

WF1250 - water filter 15mm connections

AS5122 - white tap/shower replacement kits (hot and cold knobs and 2 spindles)

AS5625 - beige tap/shower replacement kits (hot and cold knobs and 2 spindles)

## 6. INSTALLATION



**WARNING WARNING - Please note that incorrect installation may invalidate the warranty. Preparation - Always disconnect power sources before installing.**

### BEFORE installation

1. Check the location of the faucet or shower unit does not obstruct the use of sink covers etc.
2. Check that there is sufficient space below the worktop/sink surface to allow the shower unit hose to retract fully (if applicable).
3. Check that the hose is not twisted or tangled. If the hose is rigid, this can be rectified by placing the hose in a container of hot water for 10 to 15 minutes before installation.
4. For the retractable shower systems, the hose **must be** contained in an enclosed compartment that facilitates a drainage system.

### MOUNTING FOR UNITS WITH A MOUNTING PLATE

1. Position faucet or shower unit and wall bracket to allow shower head to fit into wall bracket when hose is extended.
2. Use template supplied to cut out the main slot or holes required, and to drill the four 2 mm ( $1/16$ " ) diameter screw holes.
3. After plumbing and wiring (if necessary) apply water-resistant silicone sealant around the edges of the mounting plate (see Fig.1).
4. Secure mounting plate with screws provided, concealing the screw heads using the screw covers provided (see Fig.2). If required, the screw covers are easily removed by carefully using a pointed instrument to lever them off.

Note: To ease fitting when microswitches are used, bend the crimp terminals attached to the microswitch inwards until they point vertically downwards.

Fig. 1 Mounting Plate

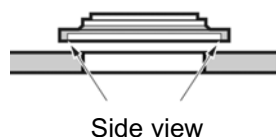
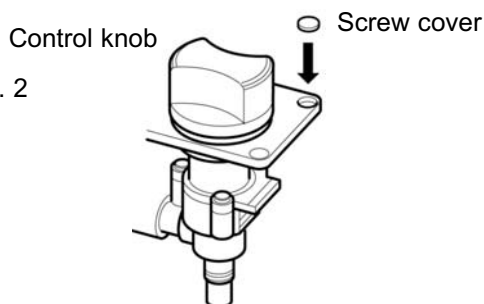


Fig. 2



### FOR UNITS WITHOUT A MOUNTING PLATE

1. Position faucet or shower unit and wall bracket to allow shower head to fit into wall bracket when hose is extended.
2. Cut out the holes required.
3. Apply water-resistant silicone around each hole before securing.

### PLUMBING

Elegance faucets or showers are supplied with either grooved 12mm inlets or  $1/2$ " threaded inlets for use with various pipe systems, see table below for details:-

a) 12mm Inlet

Pipe System Used	Fitting required
12mm semi-rigid pipework	Connect directly using Whale Quick Connect 12mm fittings
15mm semi-rigid pipework	Use Whale Quick Connect adaptor WU1215
3/8" (10mm) bore flexible hose	Stainless steel hose clips
1/2" (13mm) bore flexible hose	Use Whale Quick Connect adaptor WX1509 and stainless steel hose clip

b) ½" Threaded

Connection to Quick Connect 15mm	Use Whale Quick Connect Adaptor(s) WX1532
Connection to 13mm ½" flexible hose	Use Whale Quick Connect Adaptor(s) WX1532 WX1584B

Elegance taps or showers can be either:-

**1. FITTED IN A PRESSURE SWITCHED SYSTEM**

Utilising a built-in pressure switch in a caravan / motorhome's inlet socket, inside a pump or an in-line pressure switch in the pipework system.

If using the pressure system, no further wiring of the tap/shower controls is necessary.

**2. FITTED IN A MICRO-SWITCHED SYSTEM**

(i) The microswitches have a maximum recommended rating of 5 Amps.

(ii) See wiring diagram. (see Fig. 3).

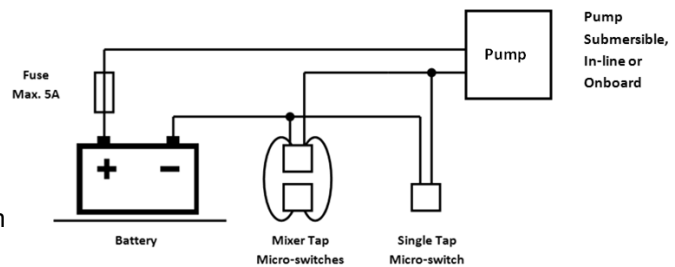


Fig. 3 Micro-switch Wiring Diagram

Note: Wires no less than 1 mm<sup>2</sup> cross sectional area should be used for wiring. It is advisable to fit a fuse of a suitable rating for the pump on the positive wire up to a maximum of 5 Amps.

**OPERATION OF SHOWER UNIT**

The shower head can be set in three positions:

- Faucet flow - over sink.
- Shower flow - over shower tray or for rinsing sink.
- Twist shower head rose to 'Off' position - temporarily shuts off the flow to economise on water usage.

**IMPORTANT:** The 'OFF' position should only be used to **shut off the flow temporarily**, as the shower head is **not** designed to withstand constant pressure. It is **not** a drip-proof seal. Note this temporary shut off **does not** turn the pump off in micro-switched systems.

**7. MAINTENANCE**

Regular inspection is recommended. Replacement components are available from the Whale stockists (see [www.whalepumps.com](http://www.whalepumps.com) for details). Micro-switches can be removed and replaced as follows:

- (i) Turn off power supply.
- (ii) Turn faucet to 'off' position (using hot and cold control knobs).
- (iii) Remove the crimp terminals.
- (iv) Hold the sides of the micro-switch clip with your thumb and finger and gently pull off the clip.
- (v) The micro-switch should slide off the two retaining pins. Be careful not to break the pins off (see Fig. 4).

Faucets can be dismantled as follows:

- (i) Pull off knob(s) and spindle(s).
- (ii) Unscrew securing screw(s), using a 17mm (11/16") spanner.
- (iii) Control unit(s) can now be released for inspection (see Fig. 5).

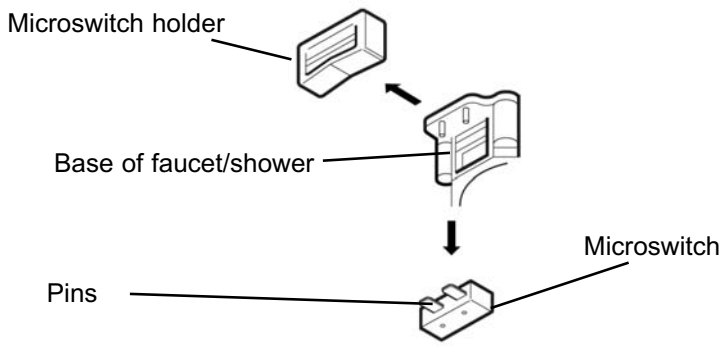


Fig. 4

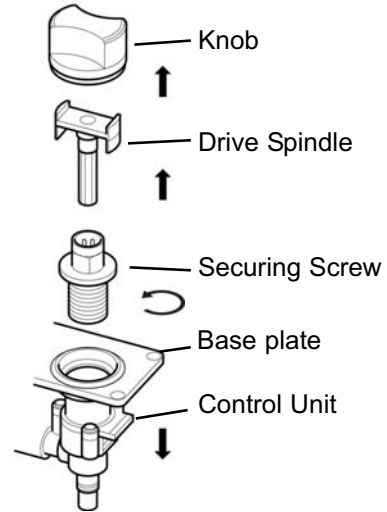


Fig. 5

## 8. HELPFUL HINTS

Tools required: 17mm ( $1\frac{1}{16}$ " ) spanner and Posi #6 screwdriver. A piece of insulating or masking tape applied to the mounting surface before marking out the fixing hole will help stop the drill from wandering, especially on tiled surface.

## 9. WINTERISING

To avoid damage as a result of freezing, drain the entire water system. To protect the Elegance faucet or shower units, the faucet control(s) and the shower handset on/off control should be opened when draining the system to enable stored water in the outlet to drain back through the control valves and out of the system. Ensure that both the hot and cold systems are fully drained, the cold drain plug (if fitted) is a separate drain plug from the heater drain plug. Faucet spouts and shower heads should be unscrewed, removed and stored in a dry place.