

Supersub Smart Family



Low profile automatic submersible bilge pumps sense bilge water level and switch on and off automatically

Fits deep down in confined bilge areas, under engines or cockpit floors



Drains down to as little as 9mm (1/3")**



New Improved Design

Longer run on time for even better drainage
New installation wedge for optimized operation



See more Supersub products on page 26

*SS5212 has a barbed connection or non-return valve option

Please note:- drain down level is installation dependent
- figures stated are based on typical installation Whale laboratory tests



Fits Deep In The Bilge Where Other Pumps Can't Reach

- No separate bilge switch required
- Automatically controlled patented electric field sensor detects water level
- Waterproof electronics- protected against water ingress
- Quick and easy installation - long wires, strainer and outlet rotate to suit your bilge area
- Unaffected by wave motion
- Environmentally friendly - mercury free
- Includes manual override facility
- Solid state switching - no moving parts
- Suitable for use with fresh or salt water

1 Year Warranty

Tips

- Easy clean
- unique clever strainer design
 - easy to remove and replace for cleaning

Awards and Accreditations

- Qualtec award
 - Menzione Speciale 2009
- NMMA Innovation Award
 - Honourable Mention 2009
- CE Certified



QUALITEC TECHNOLOGY AWARD

Approvals and Standards

- Conforms to ISO 8849 and ISO 15083
- Ignition protected per ABYC and USCG standards
- NMMA type accepted



Product Information



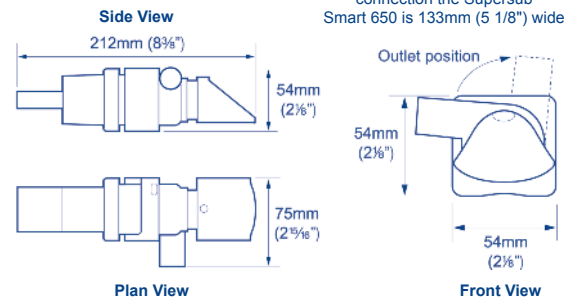
Model Specifications

Model Product Code	Supersub Smart - Low Profile Automatic Bilge Pump		
	SS5212 With barbed connection	SS1212 With non-return valve	SS1224 With non-return valve
Open Flow Rate	650 GPH (40 ltrs/min) @ 13.6 V d.c.	1050 GPH (66 ltrs/min) @ 27.2 V d.c.	1050 GPH (66 ltrs/min)
Flow Rate @ 1m Head	550 US GPH (34 ltrs/min)	750 GPH (47 ltrs/min)	750 GPH (47 ltrs/min)
Nominal Voltage	12 V d.c.	12 V d.c.	24 V d.c.
Current Draw	3.4 Amps	5 Amps	2.2 Amps
Recommended Fuse Size	5 Amp automotive	5 Amp automotive	2.5 Amp automotive
Wire Size (Caulked Wire)	1.5mm (16 AWG)	1.5mm (16 AWG)	1.5mm (16 AWG)
Weight	0.326 kg (0.71 lbs)	0.45 kg (0.99 lbs)	0.45 kg (0.99 lbs)
Maximum Discharge Head	3m (10ft)	3m (10ft)	3m (10ft)
Hose Connections	19mm (¾") / 25 (1") Stepped port	25 / 28mm (1" - 1 ½") Stepped port	25 / 28mm (1" - 1 ½") Stepped port
Materials	Pump Body; polypropylene, high temperature ABS, fully potted circuitry. Locking Ring; acetal, Impeller; Glass filled polypropelene Seals; Nitrile®, Fasteners; stainless steel.		
Overall height	75mm (3")	75mm (3")	
Overall Width	54mm (2 ¼")	54mm (2 ¼")	
Overall Length	212mm (8 ⅜")	240mm (9 ½")	

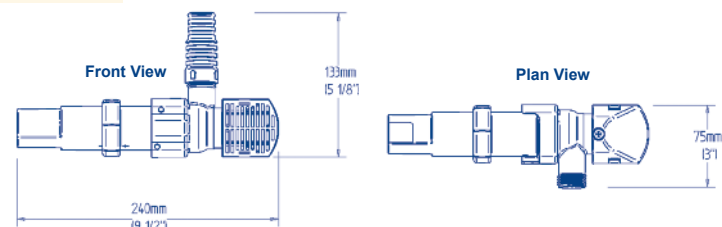
COMPLETE YOUR SYSTEM

Whale high quality bilge accessories including elbows and y pieces. Page 48 - 51

DIMENSIONS FOR 650 MODEL

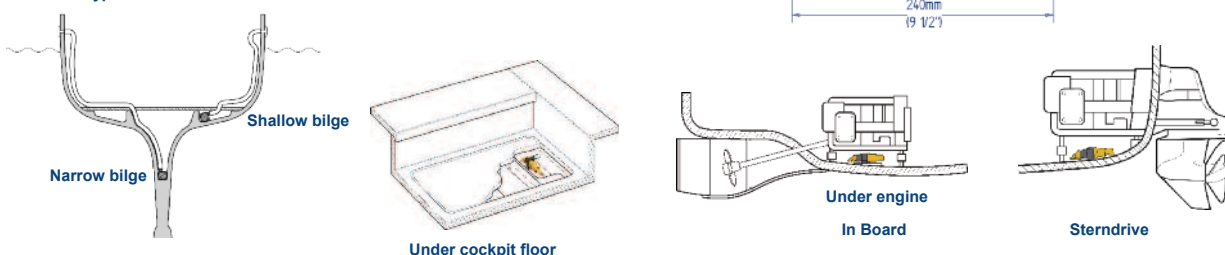


DIMENSIONS FOR 1100 MODEL



Note: For wiring advice on your installation, please contact Whale. These specifications are retail items only. For details of our bulk pack range for boat builders and wholesalers - contact Whale Support. Flow rates quoted are based on Whale laboratory tests without a non-return valve included.

Typical Installations



Looking for dependable boat pumps & plumbing? Rely on Whale for quality and long-lasting products.