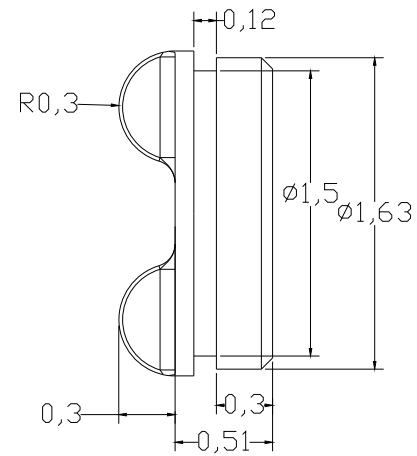
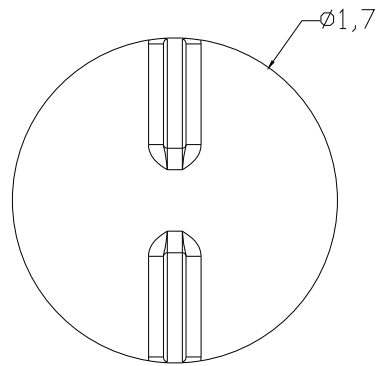
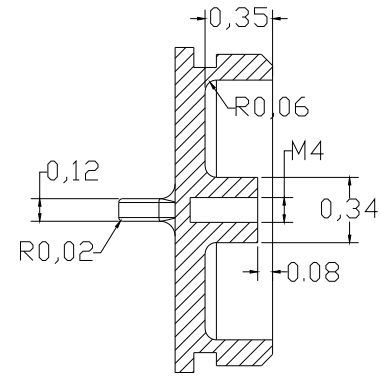
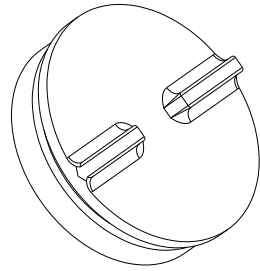
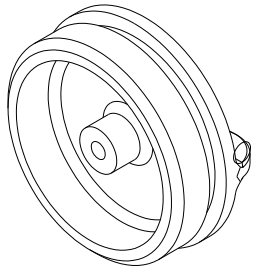


Whitecap			
Units	INCHES	View	
P/N	6001-A		20170810



Whitecap

Units	INCHES	View	
P/N	6001-B		20170810